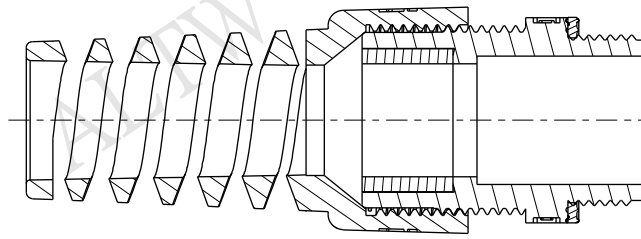
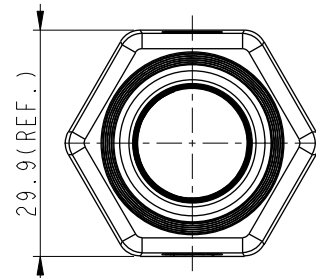
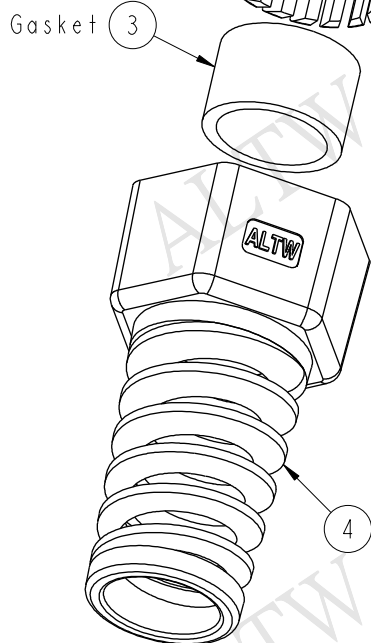
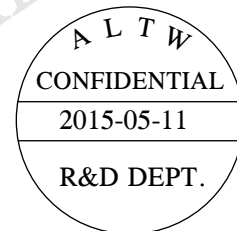
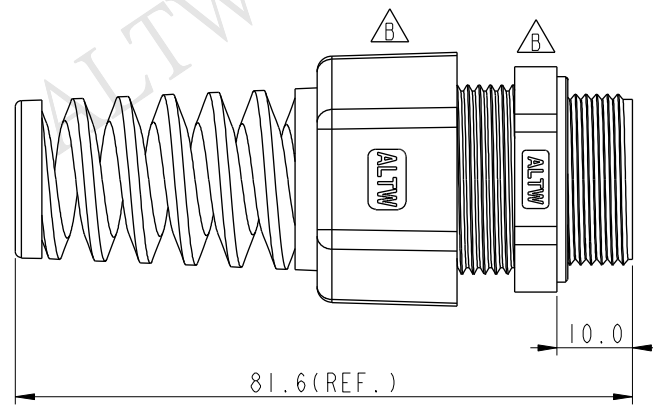
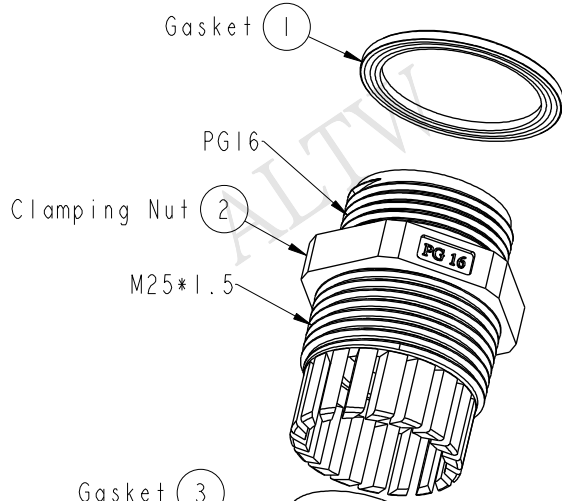
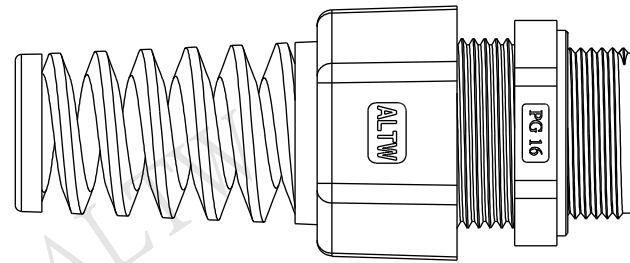
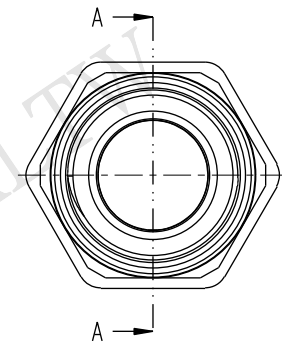


REV.	ECN NO.	DATE	SIGN	DESCRIPTION
B	LEN1560097	2015/05/11	Ruru	Change Logo



Section A-A



- Note:
- * Waterproof Rate: IP68
 - * Clamp Ring: Nylon, Gray
 - * Sealing Nut: Nylon, Gray
 - * Gasket: EPDM, Black
 - * Seals: EPDM, Black
 - * Cable Range: $\varnothing 10.0 \sim \varnothing 14.0$ mm
 - * Spanner Size:
 - Body: 27.2mm
 - Screw Nut: 29.0mm

UNIT: mm		TITLE Cable Gland for PG16 W/R, Gray (Short)
TOLERANCE .X ±0.25 .XX ±0.1 .XXX ±0.05 ANGLES ±1°	SCALE 1:1	SIZE A4
	REV. B	SHEET 1 OF 1
	WC-REV. A.1	QC: Inspection item

Amphenol LTW
安費諾亮泰企業股份有限公司

ITEM NO CSG-16G009	DRAWN BY Ruru	DATE 2015-05-11
DWG NO CSG-16G009	CHECKED BY Rita	DATE 2015-05-11
CUSTOMER ALTW	APPROVED BY Lion	DATE 2015-05-11

THIS DOCUMENT IS SUBJECT TO CHANGE WITHOUT NOTICE. IT IS CONFIDENTIAL AND A PROPERTY OF Amphenol LTW. DISCLOSURE TO THIRD PARTY HAS TO BE AUTHORIZED BY Amphenol LTW.