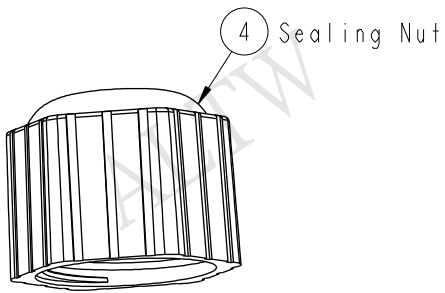
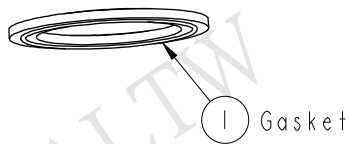
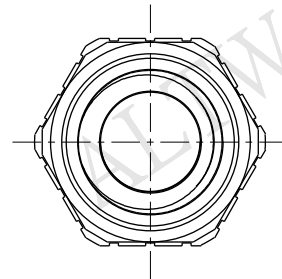
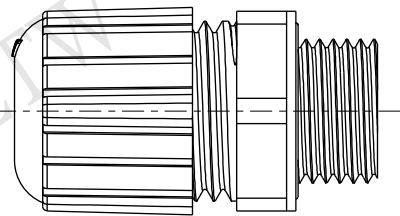
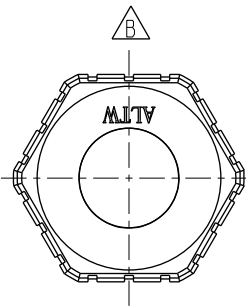
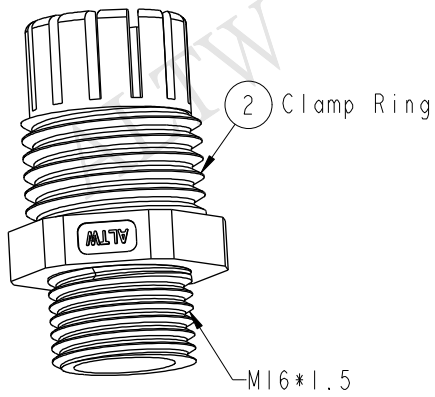
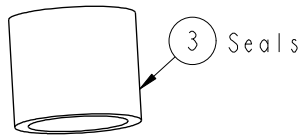
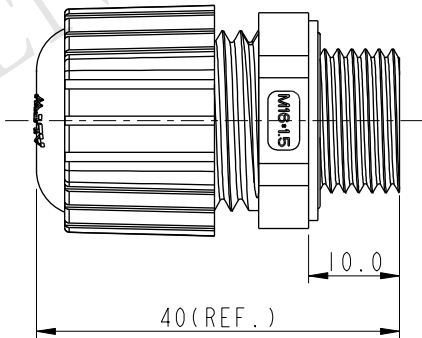


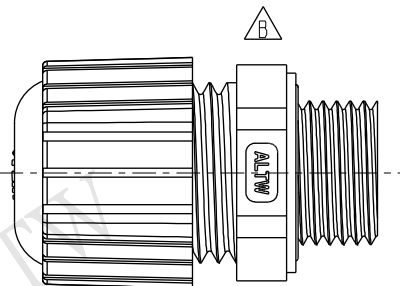
REV.	ECN NO.	DATE	SIGN	DESCRIPTION
B	LEN1560192	2015/04/08	Ruru	Change Logo



ALTW
CONFIDENTIAL
2015-04-08
R&D DEPT.



ALTW
DCC. DEPT.
CONFIDENTIAL
2015.06.17
ISSUED



- Note:
- * Waterproof Rate: IP68
 - * Gasket: EPDM, Black
 - * Clamp Ring: Nylon, Black
 - * Seals: PDM, Black
 - * Sealing Nut: Nylon, Black
 - * Cable Range: $\varnothing 6.0$ - $\varnothing 10.0$ mm

UNIT: mm		TITLE M16 Cable Gland Assy Black For Short Type			ITEM NO CSG-16M004	DRAWN BY Ruru	DATE 2015-04-08
		SCALE 4:5	SIZE A4	SHEET 1 OF 1			
TOLERANCE .X ±0.25 .XX ±0.1 .XXX ±0.05 ANGLES ±1°		REV. B	WC-REV. A.1	QC: Inspection item	CUSTOMER ALTW	APPROVED BY Lion	DATE 2015-04-08

Amphenol LTW
安費諾亮泰企業股份有限公司

THIS DOCUMENT IS SUBJECT TO CHANGE WITHOUT NOTICE. IT IS CONFIDENTIAL AND A PROPERTY OF AMPHENOL LTW. DISCLOSURE TO THIRD PARTY HAS TO BE AUTHORIZED BY AMPHENOL LTW.