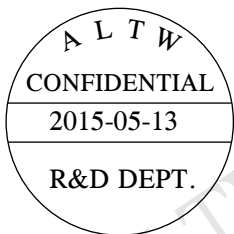
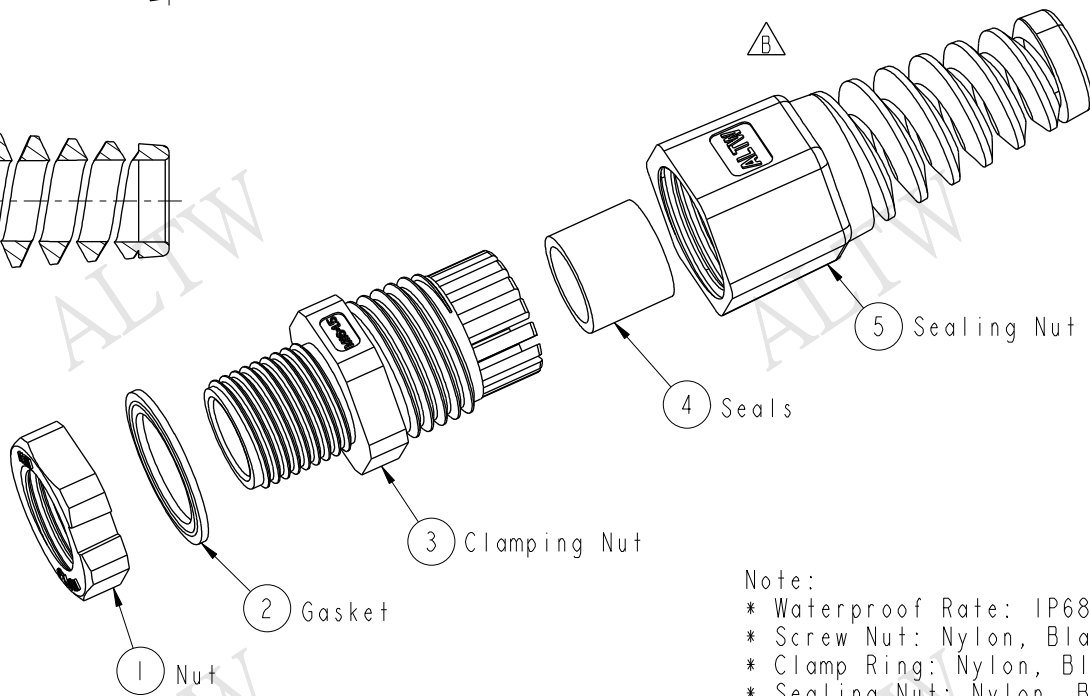
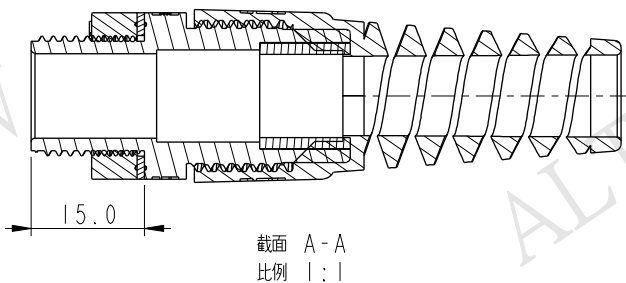
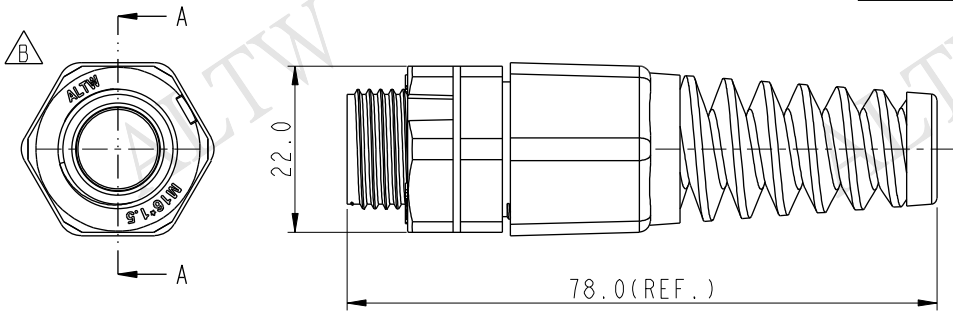


REV.	ECN NO.	DATE	SIGN	DESCRIPTION
B	LEN1570039	2015/05/13	Ruru	Change Logo



Note:
 * Waterproof Rate: IP68
 * Screw Nut: Nylon, Black
 * Clamp Ring: Nylon, Black
 * Sealing Nut: Nylon, Black
 * Gasket: EPDM, Black
 * Seals: EPDM, Black
 * Panel Thickness: 7.5mm max
 * Cable Range: $\varnothing 6\text{mm}-\varnothing 10\text{mm}$

UNIT: mm		TITLE M16 Straight with SR			Amphenol LTW 安費諾亮泰企業股份有限公司	ITEM NO CSG-16M006	DRAWN BY Ruru	DATE 2015-05-13
		TOLERANCE .X ±0.25 .XX ±0.1 .XXX ±0.05 ANGLES ±1°	SCALE 4:5	SIZE A4		SHEET 1 OF 1	DWG NO CSG-16M006	CHECKED BY Rita
		REV. B	WC-REV. A.1	Inspection item	CUSTOMER ALTW	APPROVED BY Lion	DATE 2015-05-13	

THIS DOCUMENT IS SUBJECT TO CHANGE WITHOUT NOTICE. IT IS CONFIDENTIAL AND A PROPERTY OF Amphenol LTW. DISCLOSURE TO THIRD PARTY HAS TO BE AUTHORIZED BY Amphenol LTW.