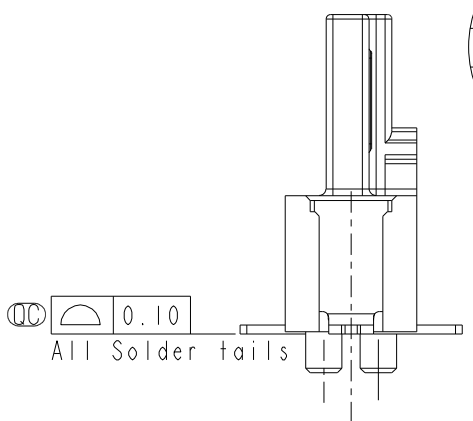
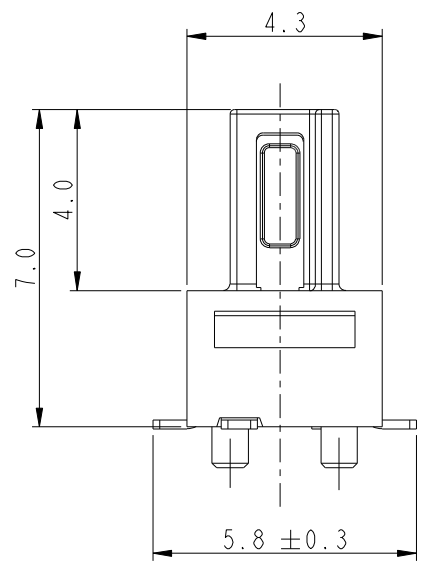
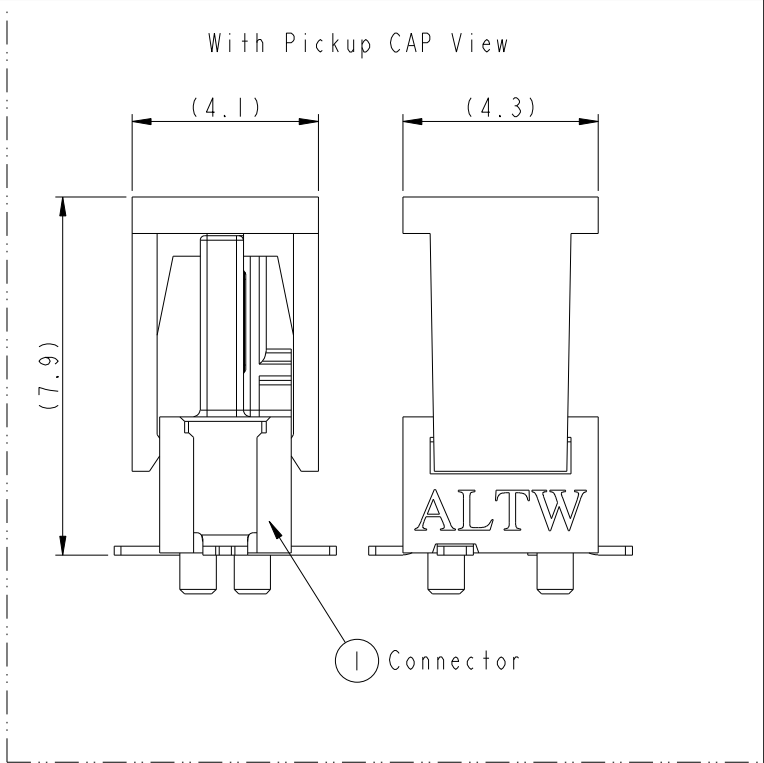
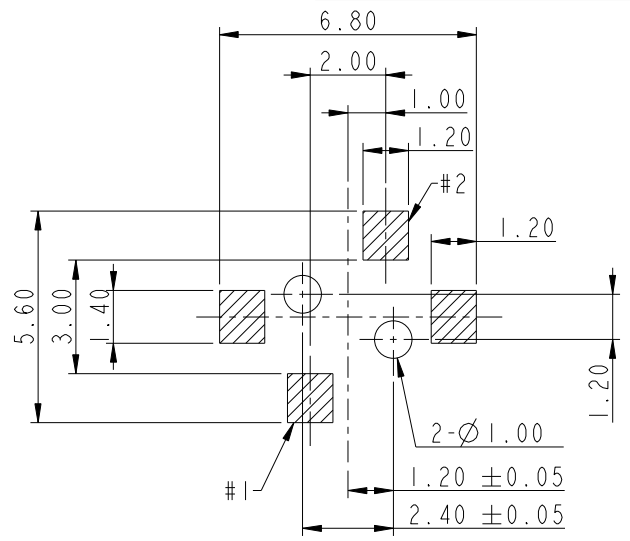
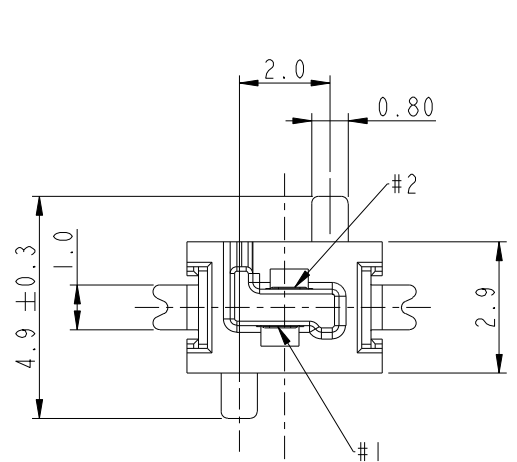


REV.	ECN NO.	DATE	SIGN	DESCRIPTION
B	CI91496	2019-08-29	NianPing Yu	Add UL Label
C	CI92063	2019-12-03	NianPing Yu	△ XI



ALTW  
CONFIDENTIAL  
2019-12-03  
R&D DEPT.

- Notes:
- \* (⊕) Important Dimension To Check.
  - \* Housing: High temperature thermoplastic. UL94V-0, color is Natural white.
  - \* Pickup Cap: High temperature thermoplastic. UL94V-0, color is Black.
  - \* Terminal: Copper Alloy, Gold Plated on contact area. Tin plated on solder tails.
  - \* Solder Peg: Copper Alloy, Tin plated over Nickel.

UNIT: mm		TITLE SSL1.1 DC 2P PLUG CONN, WITH POST, S/T, SMT TYPE			ITEM NO SSL11-P2A00-000001		DRAWN BY NianPing Yu		DATE 2019-08-29	
		TOLERANCE .X ±0.25 .XX ±0.1 .XXX ±0.05 ANGLES ±1°	SCALE 6:1	SIZE A4	SHEET 1 OF 2	DWG NO SSL11-P2A00-000001	CHECKED BY Fisher Wang	DATE 2019-08-29		APPROVED BY Max Yang
		REV. C	WC-REV. A.10	QC: Inspection item	CUSTOMER ALTW		APPROVED BY Max Yang		DATE 2019-08-29	

**Amphenol LTW**  
安費諾亮泰企業股份有限公司

THIS DOCUMENT IS SUBJECT TO CHANGE WITHOUT NOTICE. IT IS CONFIDENTIAL AND A PROPERTY OF AMPHENOL LTW. DISCLOSURE TO THIRD PARTY HAS TO BE AUTHORIZED BY AMPHENOL LTW.

