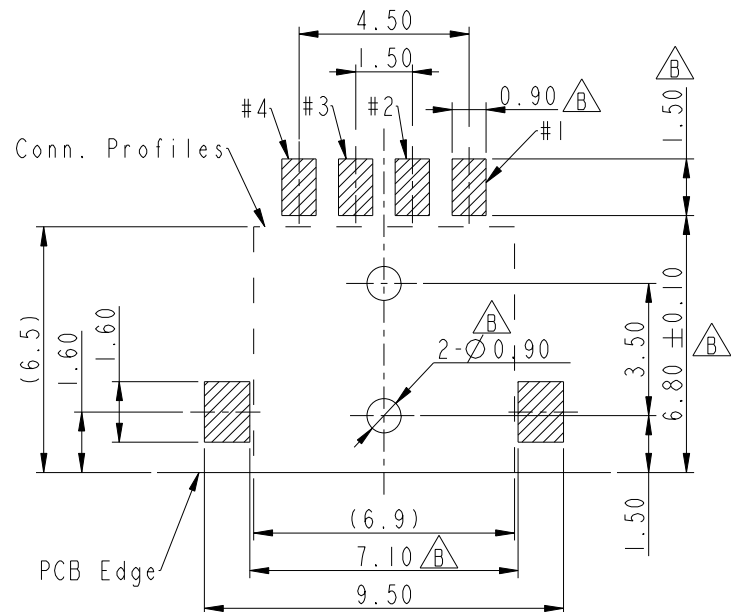
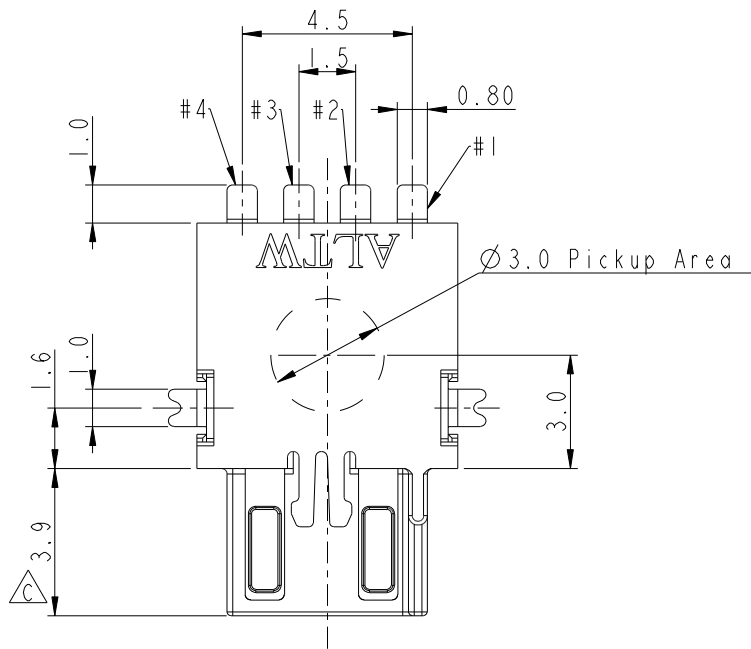
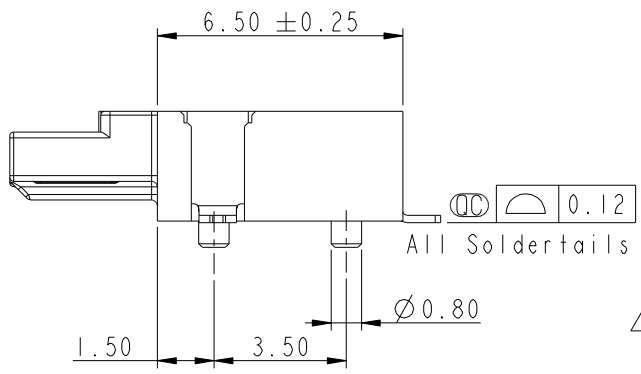
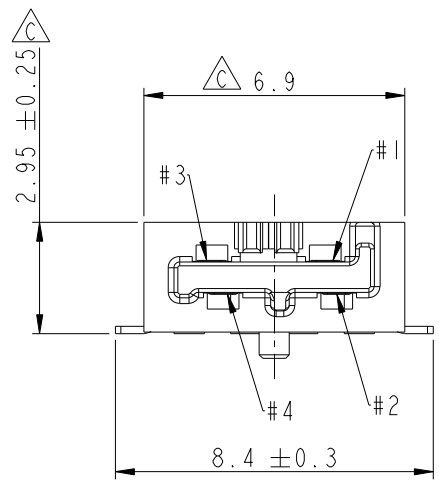
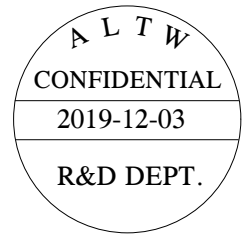
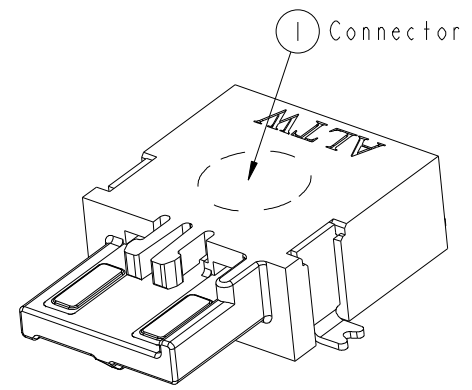


THIS DOCUMENT IS SUBJECT TO CHANGE WITHOUT NOTICE. IT IS CONFIDENTIAL AND A PROPERTY OF Amphenol LTW. DISCLOSURE TO THIRD PARTY HAS TO BE AUTHORIZED BY Amphenol LTW.

REV.	ECN NO.	DATE	SIGN	DESCRIPTION
C	LE313C0101	2013/12/26	Fisher	Change Plating and Package
D	CI91205	2019/07/29	NianPing Yu	Add UL label
E	CI92063	2019/12/03	NianPing Yu	EXI



RECOMMENDED P.C.B. LAYOUT
GENERAL TOLERANCE IS ±0.05



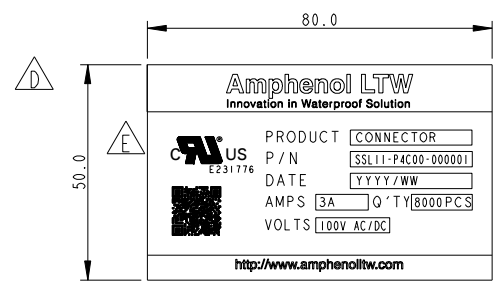
- Notes:
- * CC Important Dimension To Check.
 - * Housing: High temperature thermoplastic. UL94V-0, color is Natural white.
 - * Terminal: Copper Alloy, Gold Plated on contact area. Tin plated on solder tails.
 - * Solder Peg: Copper Alloy, Tin plated over Nickel.

UNIT: mm			TITLE SSL-1.1 DC PLUG CONNECTOR 4-POS. WITH POST, SMT TYPE
TOLERANCE .X ±0.25 .XX ±0.1 .XXX ±0.05 ANGLES ±1°	SCALE 6:1	SIZE A4	SHEET 1 OF 2
REV. E	WC-REV. A.2	CC : Inspection item	

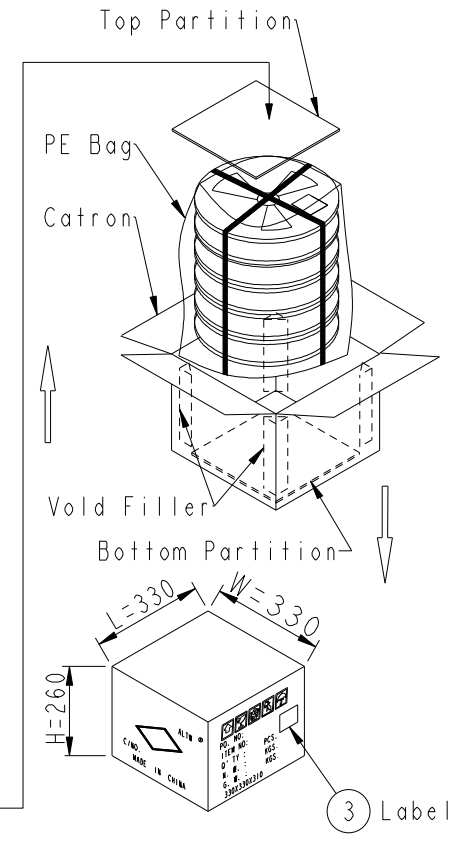
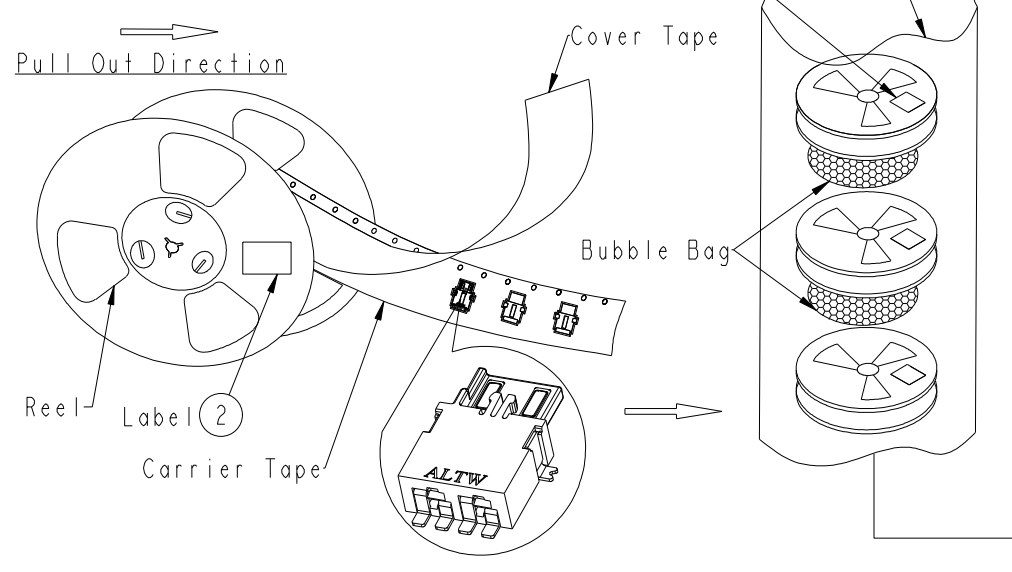
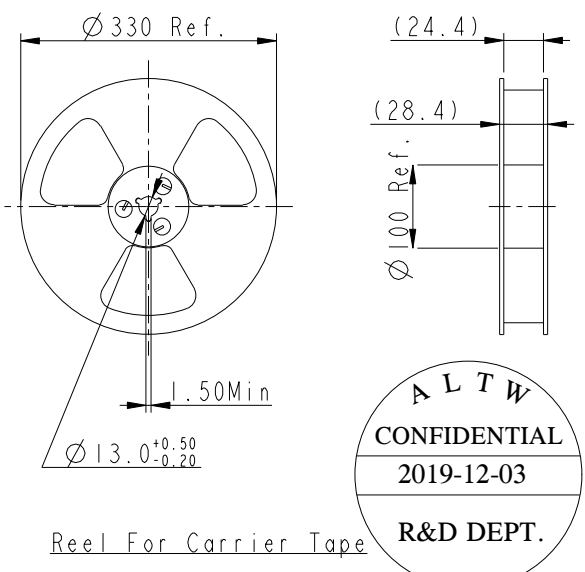
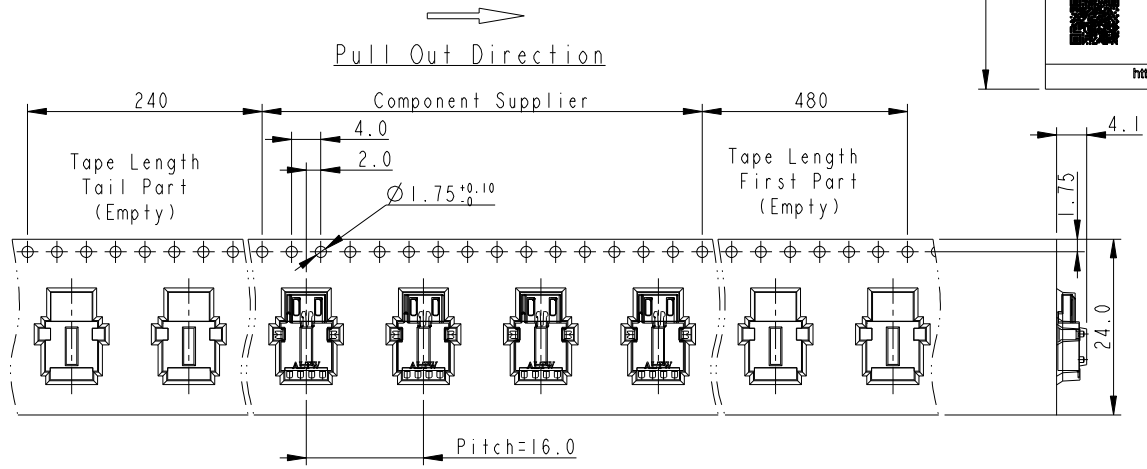
Amphenol LTW
安費諾亮泰企業股份有限公司

ITEM NO. SSL11-P4C00-000001	DRAWN BY NianPing Yu	DATE 2019/07/29
DWG NO. SSL11-P4C00-000001	CHECKED BY Fisher Wang	DATE 2019/07/29
CUSTOMER ALTW	APPROVED BY Max Yang	DATE 2019/07/29

THIS DOCUMENT IS SUBJECT TO CHANGE WITHOUT NOTICE. IT IS CONFIDENTIAL AND A PROPERTY OF AMPHENOL LTW. DISCLOSURE TO THIRD PARTY HAS TO BE AUTHORIZED BY AMPHENOL LTW.

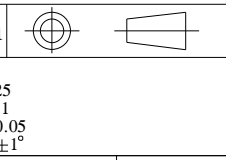


- MATERIALS**
- Carrier Tape: Polystyren (PS)
 - Cover Tape: Polystyren (PS)
 - Reel: Polystyren (PS)
- QUANTITY**
- 1000Pcs Per Reel
 - 8 Reel Per Carton (8000Pcs/Carton)
 - Reference Standard: EIA-481-D
 - Net Weight: 2.4Kg/Carton.
 - Gross Weight: 6.6Kg/Carton.



UNIT:mm

TOLERANCE	
.X	±0.25
.XX	±0.1
.XXX	±0.05
ANGLES	±1°



TITLE SSL-1.1 DC PLUG CONNECTOR 4-POS. WITH POST, SMT TYPE			
SCALE	5:1	SIZE	A4
REV.	E	SHEET	2 OF 2
WC-REV.	A.2	QC	Inspection item

Amphenol LTW
安費諾亮泰企業股份有限公司

ITEM NO	SSL11-P4C00-000001
DWG NO	SSL11-P4C00-000001
CUSTOMER	ALTW

DRAWN BY	NianPing Yu
CHECKED BY	Fisher Wang
APPROVED BY	Max Yang

DATE	2019/07/29
DATE	2019/07/29
DATE	2019/07/29