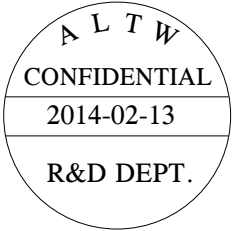
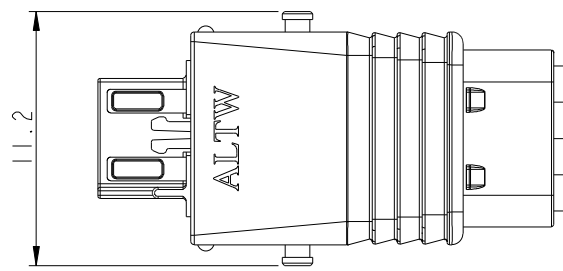
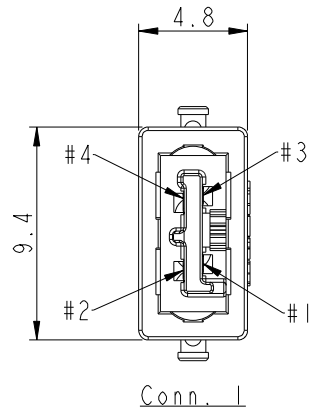
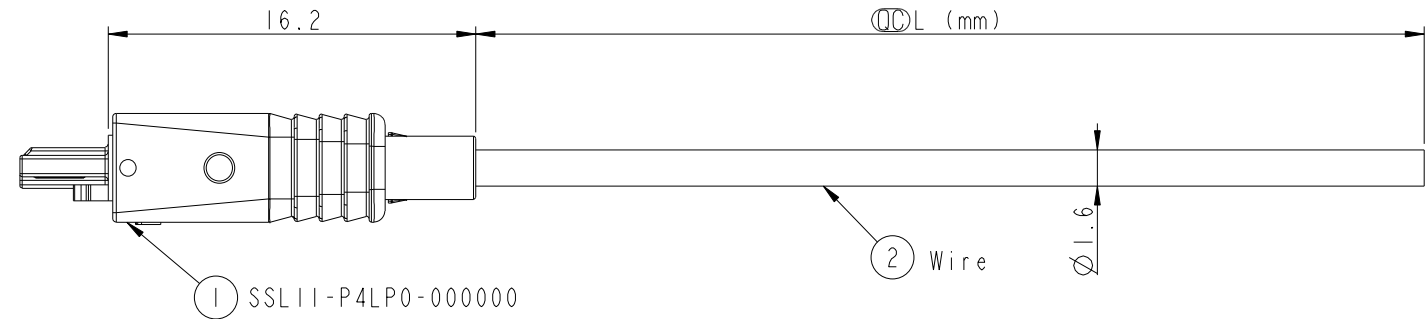


THIS DOCUMENT IS SUBJECT TO CHANGE WITHOUT NOTICE. IT IS CONFIDENTIAL AND A PROPERTY OF AMPHENOL LTW. DISCLOSURE TO THIRD PARTY HAS TO BE AUTHORIZED BY AMPHENOL LTW.

REV.	ECN NO.	DATE	SIGN	DESCRIPTION
A	Initial Release	2014-02-13	Fisher	Initial Release



4	Yellow
3	Orange
2	Red
1	Brown

SSLII-P4LP0-022AXX

- 01: L=100±20 mm.
- 02: L=200±20 mm.
- 04: L=400±25 mm.
- Standard Length is 400mm
- Wire Length Range(L): 100~9900mm
- 22: 22AWG
- LOCK&LATCH OPTION
- 0: W/O LOCK

- Notes:
- \* (C) Important Dimensions To Check.
  - \* Housing: Thermoplastic, UL94V-0, Natural White.
  - \* Terminal: Copper Alloy, Gold Plated.
  - \* Hood: Thermoplastic, UL94V-0, Natural White.
  - \* SR Mold: PP, UL94V-0, Natural White.
  - \* Wire: ULI430 22AWG, Brown/Red/Orange/Yellow
  - \* Wire Length Tolerance: ±5%mm.

4	Yellow	黄
3	Orange	橙
2	Red	红
1	Brown	棕
Conn. 1	Wire Color	
Pin Out		

UNIT:mm TOLERANCE .X ±0.25 .XX ±0.1 .XXX ±0.05 ANGLES ±1°	TITLE SSLII.1 WIRE ASS'Y, W/O LOCK 4-POS, PLUG TO OPEN		<b>Amphenol LTW</b> 安費諾亮泰企業股份有限公司		ITEM NO	DRAWN BY	DATE		
	SCALE	SIZE			SHEET	OF	DWG NO	CHECKED BY	DATE
	REV.	WC-REV.			(C): Inspection item		CUSTOMER	APPROVED BY	DATE
	2	3	4	5	6	7	8		