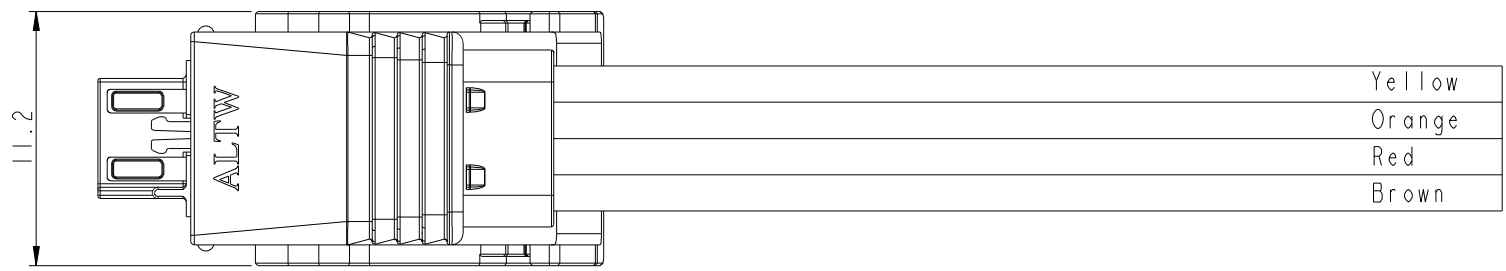
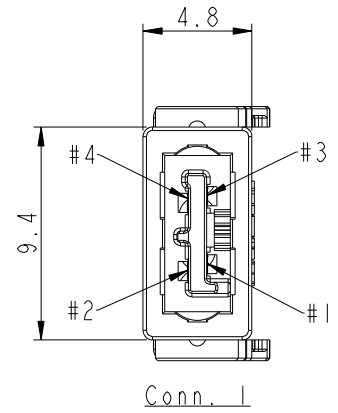
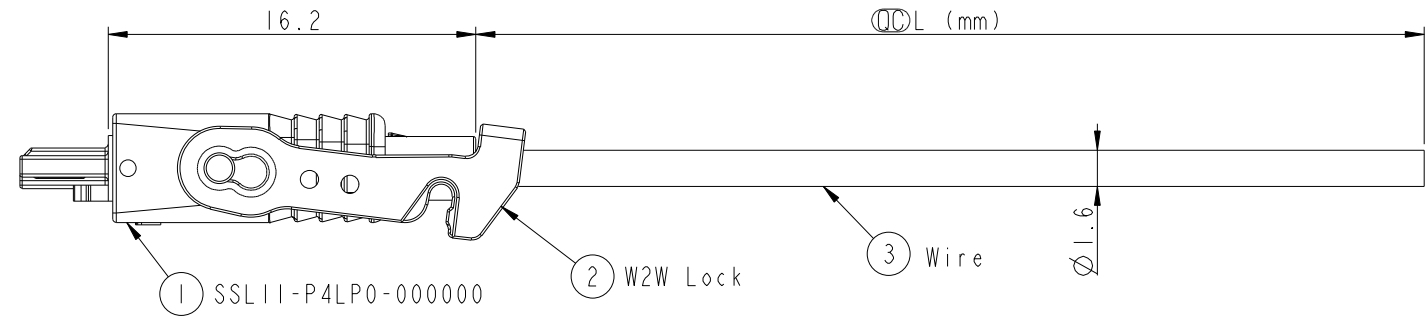


THIS DOCUMENT IS SUBJECT TO CHANGE WITHOUT NOTICE. IT IS CONFIDENTIAL AND A PROPERTY OF Amphenol LTW. DISCLOSURE TO THIRD PARTY HAS TO BE AUTHORIZED BY Amphenol LTW.

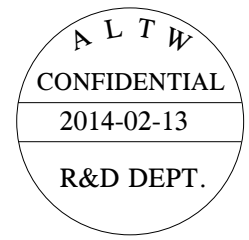
REV.	ECN NO.	DATE	SIGN	DESCRIPTION
A	Initial Release	2014-02-13	Fisher	Initial Release



SSLII-P4LP0-W22AXX

4	Yellow	黄
3	Orange	橙
2	Red	红
1	Brown	棕
Conn. I	Wire Color	
Pin Out		

01: L=100±20 mm.  
 02: L=200±20 mm.  
 04: L=400±25 mm.  
 Standard Length is 400mm  
 Wire Length Range(L): 100~9900mm  
 22: 22AWG  
 LOCK&LATCH OPTION  
 W: WITH W2W LOCK



Notes:  
 \* (C) Important Dimensions To Check.  
 \* Housing: Thermoplastic, UL94V-0, Natural White.  
 \* Terminal: Copper Alloy, Gold Plated.  
 \* Hood: Thermoplastic, UL94V-0, Natural White.  
 \* SR Mold: PP, UL94V-0, Natural White.  
 \* W2W Lock: Thermoplastic, UL94V-0, Natural White.  
 \* Wire: UL1430 22AWG,  
 Brown/Red/Orange/Yellow  
 \* Wire Length Tolerance: ±5%mm.

UNIT:mm		TITLE SSLII WIRE ASS'Y, WITH W2W LOCK 4-POS, PLUG TO OPEN		<h1>Amphenol LTW</h1> <h2>安費諾亮泰企業股份有限公司</h2>		ITEM NO	DRAWN BY	DATE
		SCALE 3:1	SIZE A4			SHEET 1 OF 1	DWG NO SSLII-P4LP0-W22AXX	CHECKED BY Ivan_Lin
TOLERANCE .X ±0.25 .XX ±0.1 .XXX ±0.05 ANGLES ±1°		REV. A	WC-REV. A.5	(C) Inspection item		CUSTOMER ALTW	APPROVED BY Kevin_Hu	DATE 2014-02-13