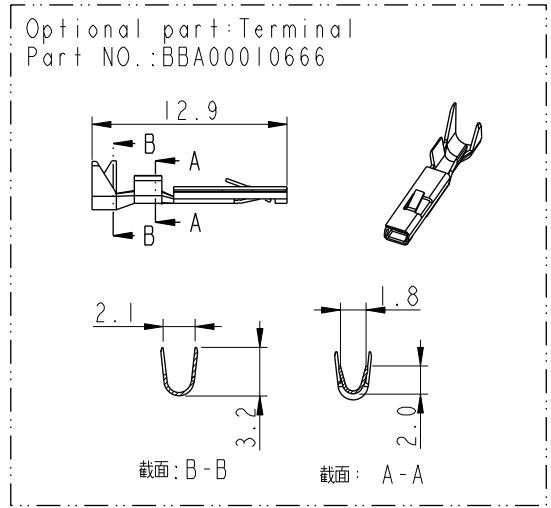
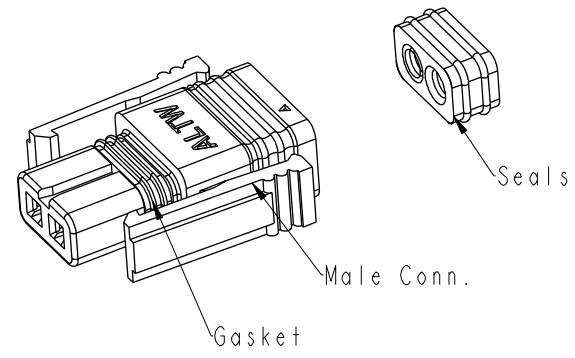
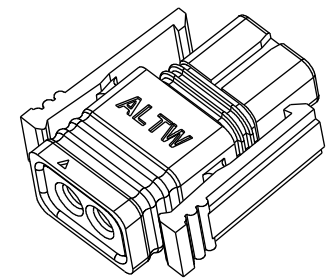
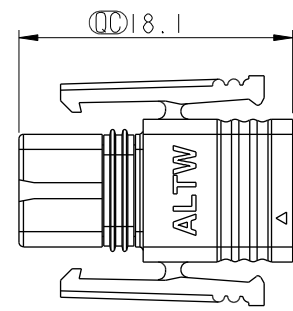
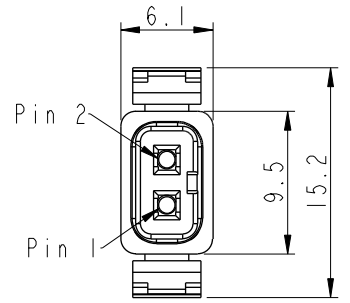


THIS DOCUMENT IS SUBJECT TO CHANGE WITHOUT NOTICE. IT IS CONFIDENTIAL AND A PROPERTY OF AMPHENOL LTW. DISCLOSURE TO THIRD PARTY HAS TO BE AUTHORIZED BY AMPHENOL LTW.

REV.	ECN NO.	DATE	SIGN	DESCRIPTION
B	LE314A0242	2014-10-16	Cary	Commissioned to supplier production
C	LEN1620285	2016-03-02	Fisher	Update Label
D	LEN1790248	2017-09-14	Ruru	RoHS Label and blue and white label merger

ALTW
 CONFIDENTIAL
 2017-09-14
 R&D DEPT.



ALTW
 DCC. DEPT.
 CONFIDENTIAL
 2017.09.22
 ISSUED

- Notes:
- * \varnothing Important Dimension To Check.
 - * Waterproof Rate: IP68(mating).
1M Depth Of Water In 24 Hours.
 - * Housing: Thermoplastic, UL94V-0, Natural White.
 - * Gasket: Silicone, Gray.
 - * Seals: Silicone, Gray
 - * Current Rating: 5A maximum.
 - * 適用電子線20AWG~22AWG
 - * Voltage Rating: 250V AC/DC maximum.
 - * Operating Temperature: -40~+105℃

UNIT: mm

TOLERANCE
±0.5mm

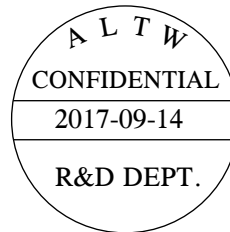
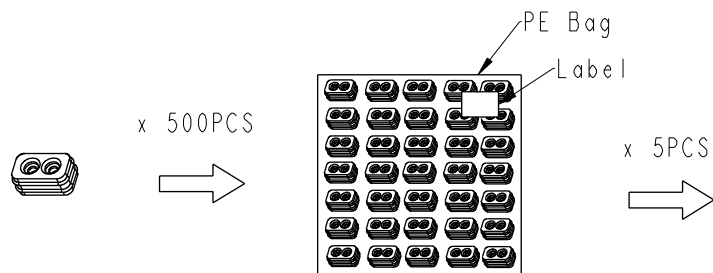
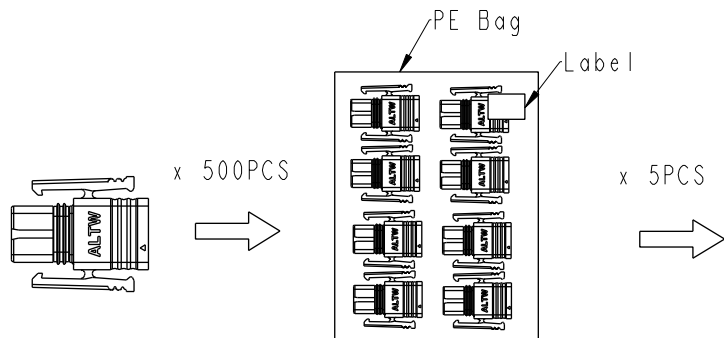
TITLE SSL1.2 2P M CONN. ASS'Y			
SCALE 2:1	SIZE A4	SHEET 1 OF 2	
REV. D	WC-REV. A.4	\varnothing : Inspection item	

Amphenol LTW
 安費諾亮泰企業股份有限公司

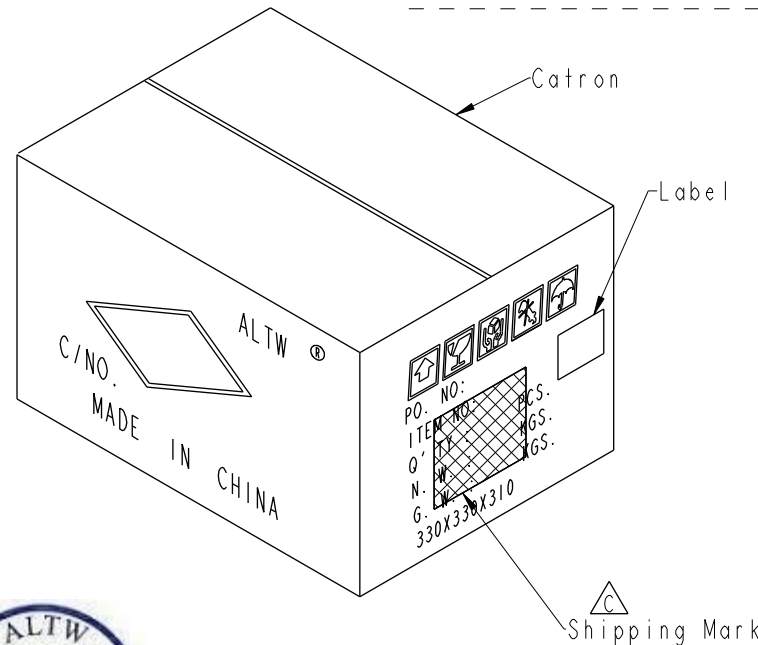
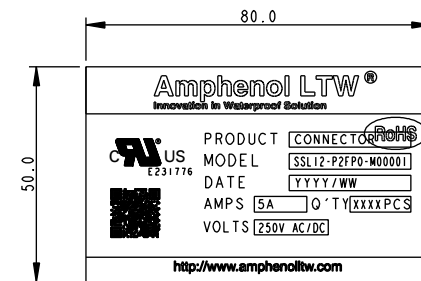
ITEM NO. SSL12-P2FP0-M00001	DRAWN BY Ruru	DATE 2017-09-14
DWG NO. SSL12-P2FP0-M00001	CHECKED BY Rita	DATE 2017-09-14
CUSTOMER ALTW	APPROVED BY Max	DATE 2017-09-14

THIS DOCUMENT IS SUBJECT TO CHANGE WITHOUT NOTICE. IT IS CONFIDENTIAL AND A PROPERTY OF Amphenol LTW. DISCLOSURE TO THIRD PARTY HAS TO BE AUTHORIZED BY Amphenol LTW.

Packing



Print content of Label



- QUANTITY
1. 2500Set Per Carton
 2. Net Weight: 2.3Kg/Carton.
 3. Gross Weight: 3.0Kg/Carton.

UNIT:mm		
TOLERANCE ±0.5mm		

TITLE SSL1.2 2P M CONN. ASS'Y			
SCALE 2:1	SIZE A4	SHEET 2 OF 2	
REV. D	WC-REV. A.4	QC: Inspection item	

Amphenol LTW
安費諾亮泰企業股份有限公司

ITEM NO SSL12-P2FP0-M00001	DRAWN BY Ruru	DATE 2017-09-14
DWG NO SSL12-P2FP0-M00001	CHECKED BY Rita	DATE 2017-09-14
CUSTOMER ALTW	APPROVED BY Max	DATE 2017-09-14