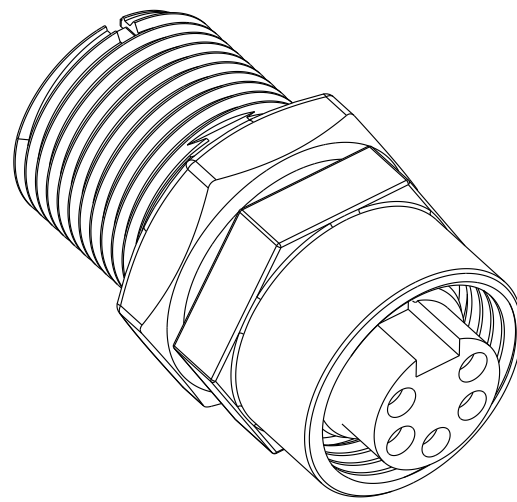
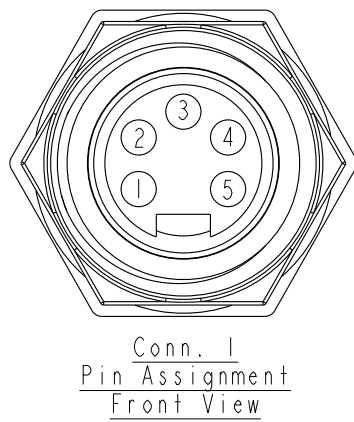
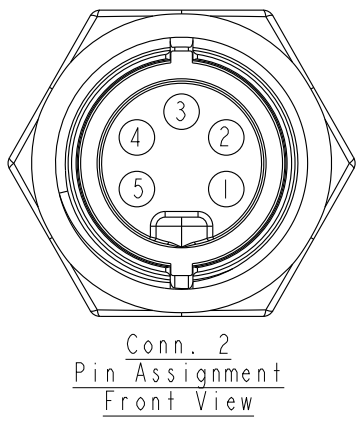
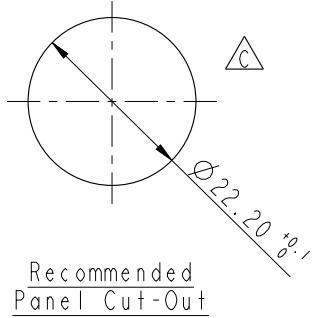
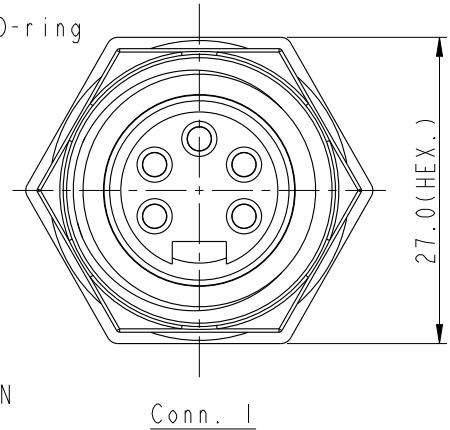
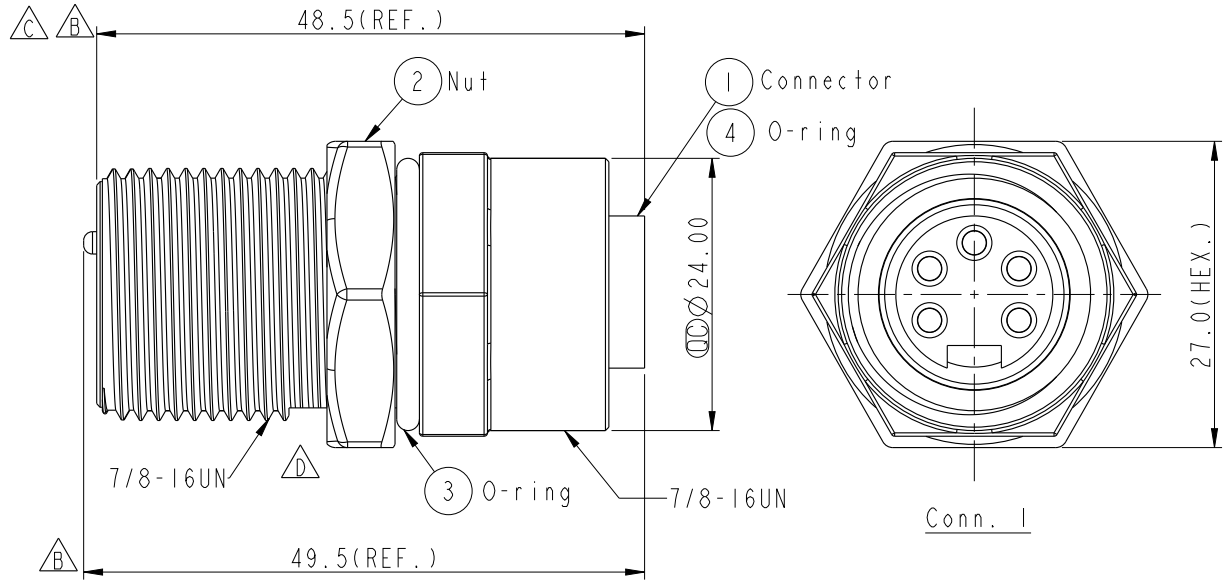
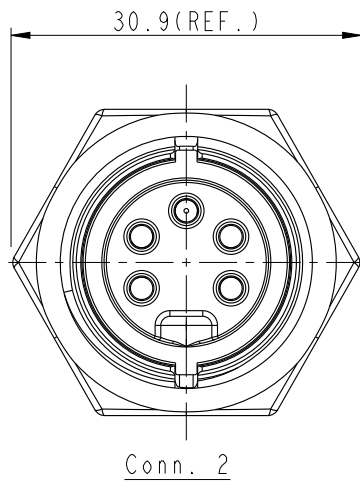


THIS DOCUMENT IS SUBJECT TO CHANGE WITHOUT NOTICE. IT IS CONFIDENTIAL AND A PROPERTY OF AMPHENOL LTW. DISCLOSURE TO THIRD PARTY HAS TO BE AUTHORIZED BY AMPHENOL LTW.

**ALTW**  
**CONFIDENTIAL**  
**2019-07-16**  
**R&D DEPT.**

REV.	ECN NO.	DATE	SIGN	DESCRIPTION
B	LEN1380067	2013/08/06	SAM	Change Dimension.
C	LEN1610051	2016/01/04	Jiawei	Change Dimension.
D	CI91202	2019-07-16	Peng	Change The View



- Note:
- \*  $\varnothing$  Important Dimension.
  - \* Waterproof Rate: IP68
  - IP68: 1M Depth Of Water In 24hours.
  - \* Conn1&2.: Nylon+GF, Black
  - \* Pin: Copper Alloy, Gold Plated
  - \* Shield: Brass, Nickel Plated
  - \* Nut: Brass, Nickel Plated
  - \* Liquid Glue: Clear
  - \* O-ring: Black, EPDM

UNIT: mm		TITLE MNEA2000 MINI-C BULKHEAD			ITEM NO. MN-000505-0FM-BS001	DRAWN BY Peng	DATE 2019-07-16
		SCALE 3:2	SIZE A4	SHEET 1 OF 1			
TOLERANCE .X ±0.25 .XX ±0.1 .XXX ±0.05 ANGLES ±1°		REV. D	WC-REV. A.3	QC: Inspection item	CUSTOMER ALTW	APPROVED BY Jerry	DATE 2019-07-16

**Amphenol LTW**  
**安費諾亮泰企業股份有限公司**