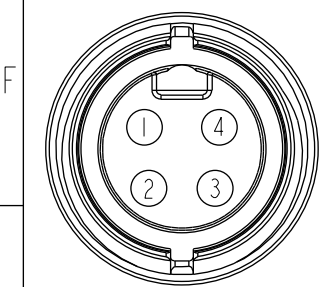
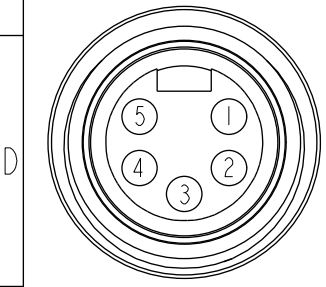


THIS DOCUMENT IS SUBJECT TO CHANGE WITHOUT NOTICE. IT IS CONFIDENTIAL AND A PROPERTY OF AMPHENOL LTW. DISCLOSURE TO THIRD PARTY HAS TO BE AUTHORIZED BY AMPHENOL LTW.

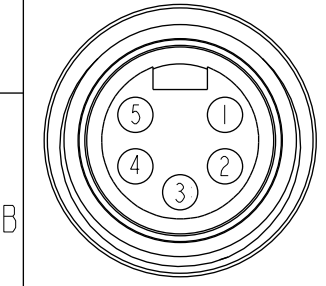
REV.	ECN NO.	DATE	SIGN	DESCRIPTION
C	LEN1550047	2015-05-13	Feng_Li	Conn1. view change.
D	LE317C0069	2017/12/21	Tracy Hsu	Modify Label 1 Material
E	LE31870015	2018/06/27	Tracy Hsu	Modify Upper Case Material



Conn. 1
Pin Assignments
Front View

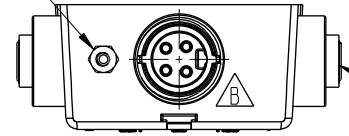


Conn. 2
Pin Assignments
Front View



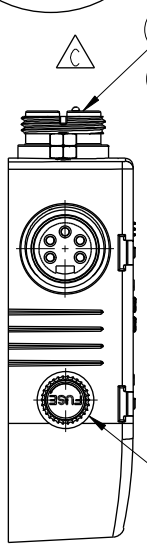
Conn. 3
Pin Assignments
Front View

ALTW
CONFIDENTIAL
2018.06.27
R&D DEPT.



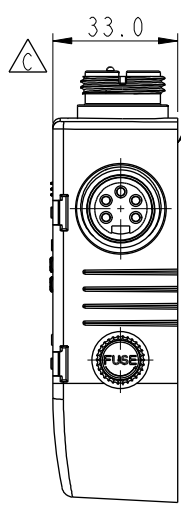
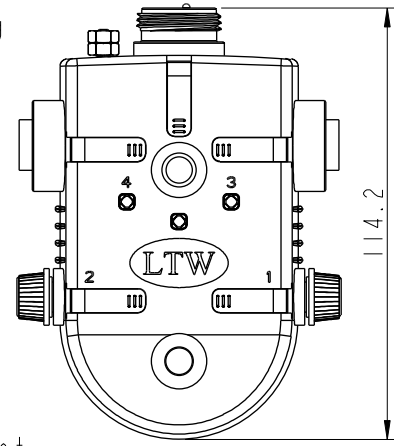
- 9 Shielding Screw
- 10 Shielding Nut

- 5 Connector
- 8 C O-Ring
- 11 O-Ring
- 12 O-Ring

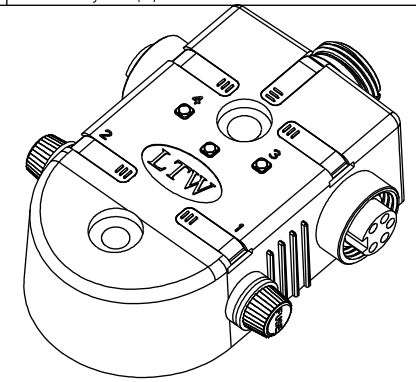


- 6 Connector
- 8 C O-Ring
- 12 O-Ring

- 4 Fuse
- 15 Gasket



- 1 UpperCase
- 2 Label 1
- 3 Lens
- 7 Screw
- 13 PCB Half Finished
- 14 Lique
- 16 Label 2



ALTW
DCC. DEPT.
CONFIDENTIAL
2018.07.09
ISSUED

Note:
 * \varnothing Important Dimension.
 * Waterproof Rate : IP68.
 * Panel Connector:Black,Nylon+GF.
 * Pin:Copper Alloy,Gold Plated.
 * O-Ring : Viton, Green.
 * UpperCase: PC+PBT, Black.
 * Label 1: PC+PBT, White.
 * Label 2: P072 50#
 * Storage temperature:-20° C~+85° C.
 * Text Depth: 0.3mm.

Wire Color	Power/Conn.1	J3 / Conn.2	J4 / Conn.3
Blue 藍		5 (18AWG)	5 (18AWG)
White 白	4 (16AWG)	4 (18AWG)	4 (18AWG)
Black 黑	3 (16AWG)	3 (16AWG)	3 (16AWG)
Red 紅	2 (16AWG)	2 (16AWG)	2 (16AWG)
Yellow 黃	1 (16AWG)	1 (18AWG)	1 (18AWG)

Wire Color	FUSE	GND/ 地線
BROWN 棕		16AWG
Green 綠	18AWG	

UNIT:mm

TOLERANCE	
.X	±0.25
.XX	±0.1
.XXX	±0.05
ANGLES	±1°

TITLE NMEA2000 MINI-C POWERTAP BOX			
SCALE 1:2	SIZE A4	SHEET 1 OF 1	
REV. E	WC-REV. A.2	QC: Inspection item	

Amphenol LTW
安費諾亮泰企業股份有限公司

ITEM NO N-455000-MFF000-S001	DRAWN BY Tracy Hsu	DATE 2018/06/27
DWG NO N-455000-MFF000-S001	CHECKED BY Jason Yu	DATE 2018/06/27
CUSTOMER ALTW	APPROVED BY Kevin Hu	DATE 2018/06/27

DATE 2018/06/27
DATE 2018/06/27
DATE 2018/06/27