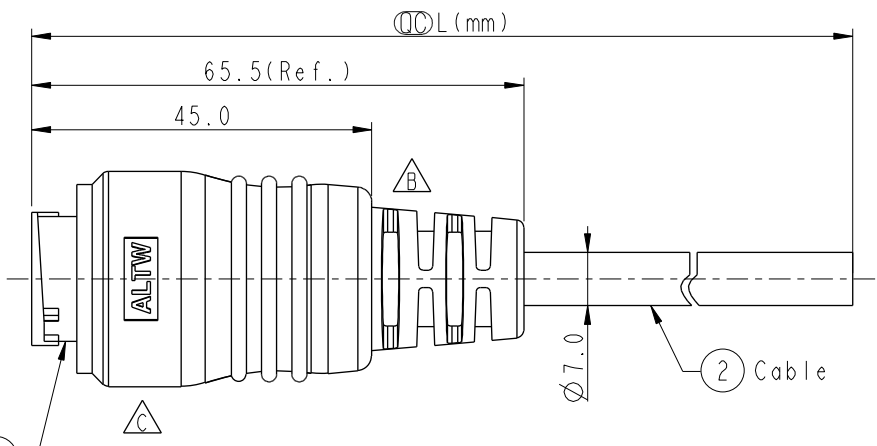
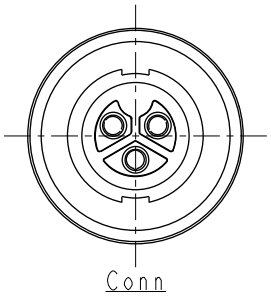
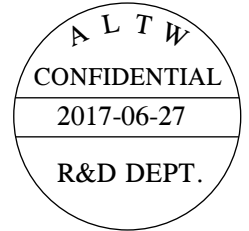
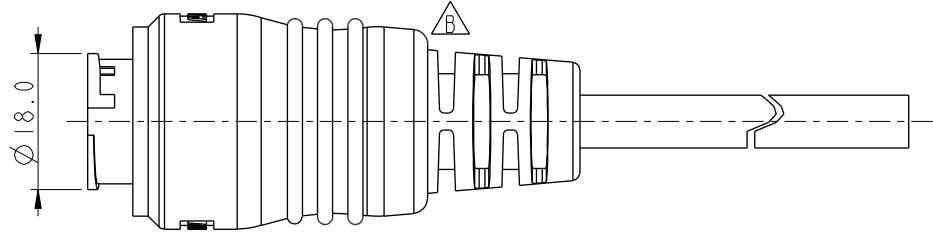


THIS DOCUMENT IS SUBJECT TO CHANGE WITHOUT NOTICE. IT IS CONFIDENTIAL AND A PROPERTY OF Amphenol LTW. DISCLOSURE TO THIRD PARTY HAS TO BE AUTHORIZED BY Amphenol LTW.

REV.	ECN NO.	DATE	SIGN	DESCRIPTION
A		2011/12/03	Tao-Cheng	Change Rev.04 To Rev.A
B	LEN12A0054~57	2012/10/17	Tao-Cheng	Update SR
C	LEN1770056~59	2017/06/27	Ruru	Change Logo



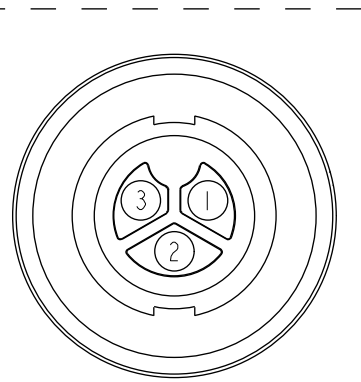
PWC-03AMFM-LL7000



PWC-03AMFM-LL7AXX

XX:01~99 Meters
 01:01 Meter
 02:02 Meters
 :
 99:99 Meters
 Cable Length(L):01~99Meters

- Note:
- * \varnothing Important Dimension To Check.
 - * Waterproof Rate: IP67 (Mated)
 - * Connector : Nylon+GF, Black
 - * Female Pin : Copper Alloy, Gold Flash
 - * Cable: UL2464, 14AWG*3C+Talcum
PVC Jacket, OD=7.0, Black
 - * Cable Length Tolerance : 01M±40mm
02M~05M:±60mm
06M~10M:±100mm
11M~30M:±200mm
31M~99M:±500mm



Pin Assignments
Front View

3	White	白
2	Green	綠
1	Black	黑
Housing	Wire Color	

Pin Out

UNIT:mm		
TOLERANCE		
.X	±0.25	
.XX	±0.1	
.XXX	±0.05	
ANGLES	±1°	

TITLE Power Molding M Conn. F Pin 20 Amps			
SCALE 1:1	SIZE A4	SHEET 1 OF 1	
REV. C	WC-REV. A.5	\varnothing : Inspection item	

Amphenol LTW
 安費諾亮泰企業股份有限公司

ITEM NO	DRAWN BY Ruru	DATE 2017-06-27
DWG NO PWC-03AMFM-LL7AXX	CHECKED BY Rita	DATE 2017-06-27
CUSTOMER ALTW	APPROVED BY Max	DATE 2017-06-27