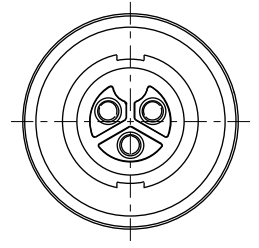


THIS DOCUMENT IS SUBJECT TO CHANGE WITHOUT NOTICE. IT IS CONFIDENTIAL AND A PROPERTY OF Amphenol LTW. DISCLOSURE TO THIRD PARTY HAS TO BE AUTHORIZED BY Amphenol LTW.

REV.	ECN NO.	DATE	SIGN	DESCRIPTION
A		2011/11/14	Tao-Cheng	Change Rev.02 To Rev.A
B	LEN12A0058~61	2012/10/18	Tao-Cheng	Update SR
C	LEN1770060~63	2017/06/27	Ruru	Change Logo

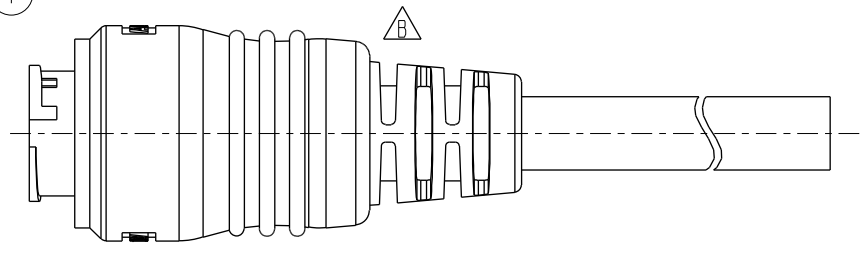
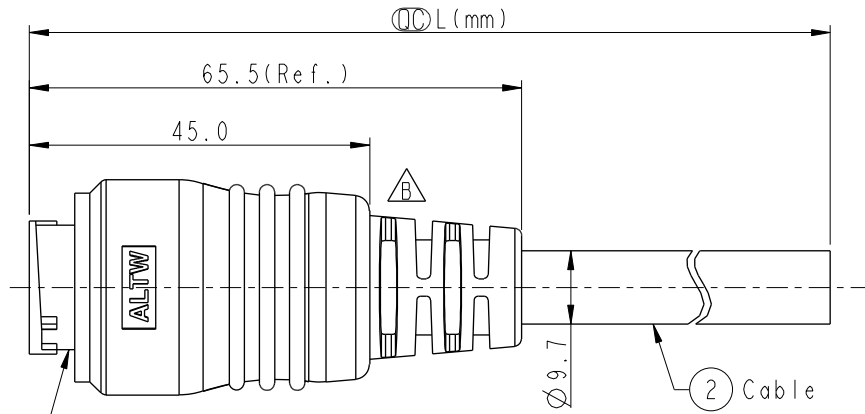
ALTW  
CONFIDENTIAL  
2017-06-27  
R&D DEPT.

ALTW  
DCC. DEPT.  
CONFIDENTIAL  
2017.07.06  
ISSUED



Conn

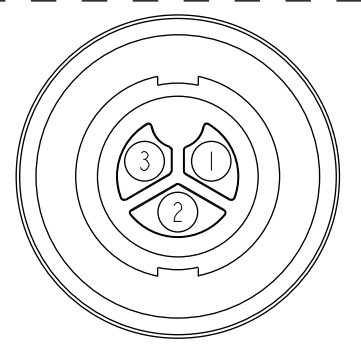
PWC-03AMFM-LL7000



PWC-03AMFM-LL7BXX

XX:01~99Meters  
01:01Meter  
02:02Meters  
:  
:  
99:99Meters  
Cable Length(L):01~99Meters

- Note:
- \*  $\varnothing$  Important Dimension To Check.
  - \* Waterproof Rate: IP67(Mated)
  - \* Connector: Nylon+GF, Black
  - \* Female Pin: Copper Alloy, Gold Flash
  - \* Cable: TC-ER, 14AWG\*3C  
PVC Jacket, OD=9.7mm, Black
  - \* Cable Length Tolerance: 01M:±40mm  
02M~05M:±60mm  
06M~10M:±100mm  
11M~30M:±200mm  
31M~99M:±500mm



Pin Assignments  
Front View

3	White	白
2	Green	綠
1	Black	黑
Housing	Wire Color	
Pin Out		

UNIT:mm		
TOLERANCE		
.X	±0.25	
.XX	±0.1	
.XXX	±0.05	
ANGLES	±1°	

TITLE Power Molding M Conn. F Pin 20Amps			
SCALE 1:1	SIZE A4	SHEET 1 OF 1	
REV. C	WC-REV. A.4	$\varnothing$ : Inspection item	

**Amphenol LTW**  
安費諾亮泰企業股份有限公司

ITEM NO	DRAWN BY Ruru	DATE 2017-06-27
DWG NO PWC-03AMFM-LL7BXX	CHECKED BY Rita	DATE 2017-06-27
CUSTOMER ALTW	APPROVED BY Max	DATE 2017-06-27