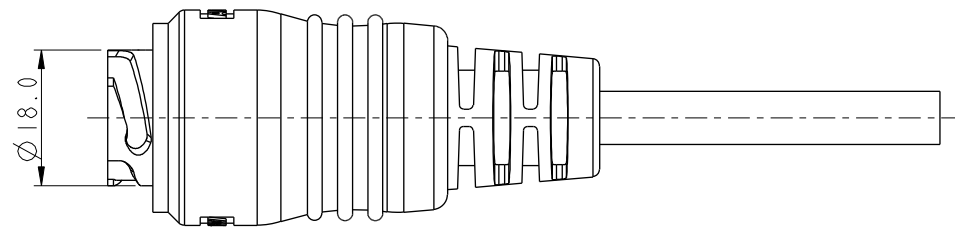
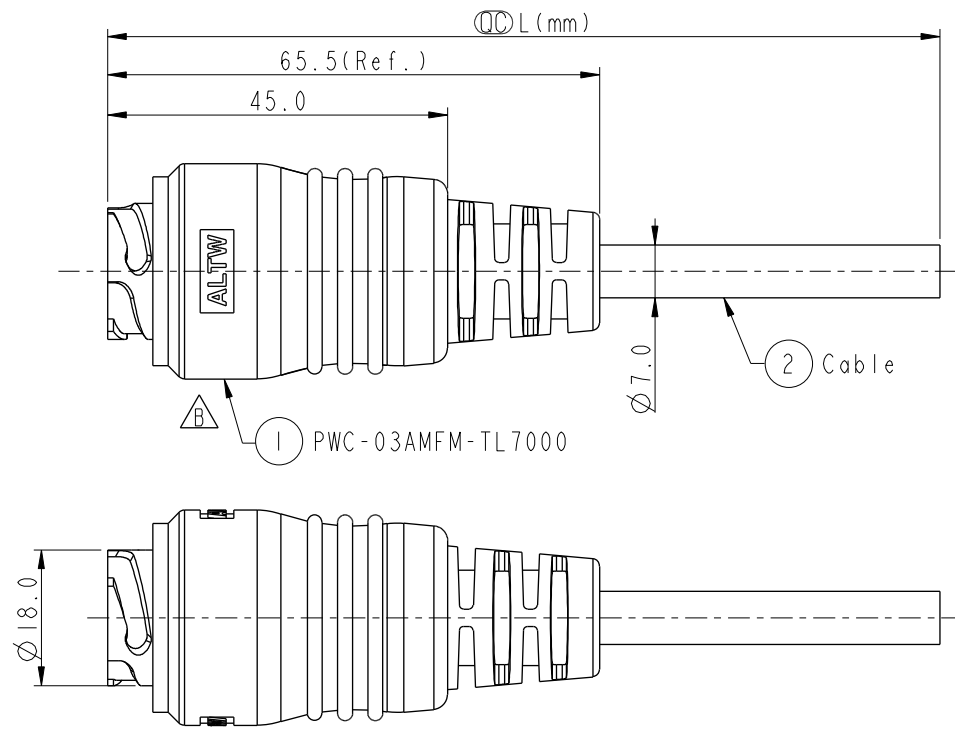
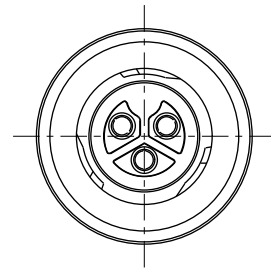


THIS DOCUMENT IS SUBJECT TO CHANGE WITHOUT NOTICE. IT IS CONFIDENTIAL AND A PROPERTY OF Amphenol LTW. DISCLOSURE TO THIRD PARTY HAS TO BE AUTHORIZED BY Amphenol LTW.

| REV. | ECN NO. | DATE | SIGN | DESCRIPTION |
|------|---------------|------------|-----------|------------------------|
| A | | 2012/11/30 | Tao-Cheng | Change Rev.01 To Rev.A |
| B | LEN1770065~68 | 2017/06/27 | Ruru | Change Logo |

ALTW
CONFIDENTIAL
2017-06-27
R&D DEPT.

ALTW
DCC. DEPT.
CONFIDENTIAL
2017.07.06
ISSUED

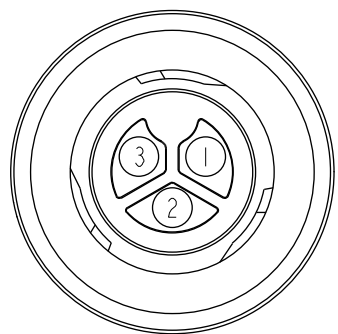


PWC-03AMFM-TL7AXX

XX:01~99Meters
01:01Meter
02:02Meters
:
:
:
99:99Meters

Cable Length(L):01~99Meters

- Note:
- * \varnothing Important Dimension To Check
 - * Waterproof Rate: IP67 (Mated)
 - * Connector: Nylon+GF, Black
 - * Female Pin: Copper Alloy, Gold Flash
 - * Cable: UL2464 14AWG*3C+Talcum PVC Jacket, OD=7.0mm, Black
 - * Cable Length Tolerance: 01M:±40
02M~05M:±60mm
06M~10M:±100mm
11M~30M:±200mm
31M~99M:±500mm



Pin Assignment
Front View

| | | |
|---------|---------------|------------|
| 3 | White (14AWG) | 白 |
| 2 | Green (14AWG) | 綠 |
| 1 | Black (14AWG) | 黑 |
| Housing | | Wire Color |
| Pin Out | | |

| | | |
|-----------|------------|--|
| UNIT:mm | | |
| TOLERANCE | .X ±0.25 | |
| | .XX ±0.1 | |
| | .XXX ±0.05 | |
| ANGLES | ±1° | |

| | | | |
|---|-----|---------------|-----------------|
| TITLE Power Molding 3Key 3Pin M Conn F Pin 20Amps | | | |
| SCALE | 1:1 | SIZE | A4 |
| | | SHEET | 1 OF 1 |
| REV. | B | WC-REV. | A.5 |
| | | \varnothing | Inspection item |

Amphenol LTW
安費諾亮泰企業股份有限公司

| | | |
|-------------------|-------------|------------|
| ITEM NO | DRAWN BY | DATE |
| | Ruru | 2017-06-27 |
| DWG NO | CHECKED BY | DATE |
| PWC-03AMFM-TL7AXX | Rita | 2017-06-27 |
| CUSTOMER | APPROVED BY | DATE |
| ALTW | Max | 2017-06-27 |