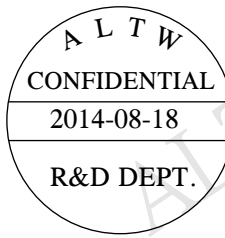
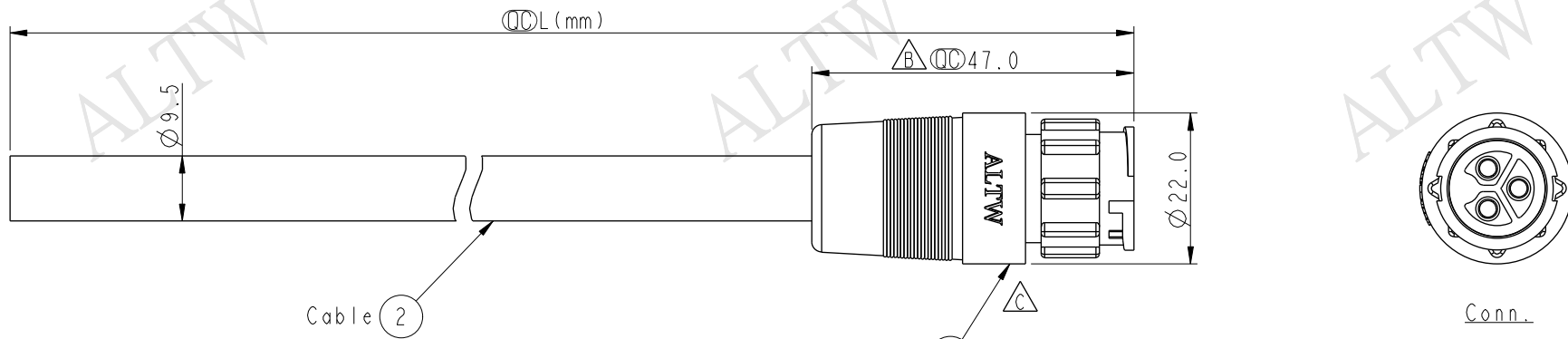


REV.	ECN NO.	DATE	SIGN	DESCRIPTION
B	LEN1390120~23	2013/09/06	Rensong	Change dimension
C	LEN1480531~534	2014/08/18	Sam	Change Logo



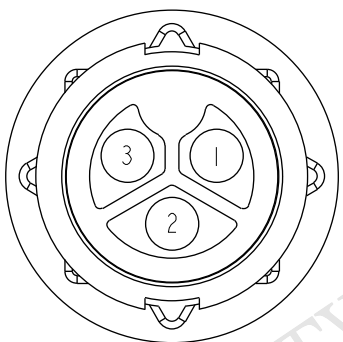
PWC-03BMFM-LL7100
Color: Black

PWC-03BMFM-LL7DXX

- XX : 01~99Meters
- 01 : 01Meter
- 02 : 02Meters
- ...
- 99 : 99Meters

Cable Length(L): 01~99Meters

- Note:
- * \varnothing Important Dimension To Check.
 - * Waterproof Rate: IP67
 - * Connector: Nylon+GF, Black.
 - * Male Pin: Copper Alloy, Gold Plated.
 - * Lock Nut: Nylon+GF, Black.
 - * Cable: UL SJTW 14AWG*3C·PVC Jacket
UV Resistant, OD=9.5, Black.
 - * Cable Length Tolerance: 01M: 40mm
02M~05M: ±60mm
06M~10M: ±100mm
11M~30M: ±200mm
31M~99M: ±500mm



Pin Assignments
Front View

3	White	白
2	Green	綠
1	Black	黑
Conn.	Wire Color	
Pin Out		

UNIT:mm		
TOLERANCE		
±0.5mm		

TITLE POWER MOLDING M CONN. F PIN 20A			
SCALE 1:1	SIZE A4	SHEET 1 OF 1	
REV. C	WC-REV. B.2	\varnothing : Inspection item	

Amphenol LTW
安費諾亮泰企業股份有限公司

ITEM NO	DRAWN BY Sam	DATE 2014-08-18
DWG NO PWC-03BMFM-LL7DXX	CHECKED BY Vicky	DATE 2014-08-18
CUSTOMER ALTW	APPROVED BY Rita	DATE 2014-08-18

THIS DOCUMENT IS SUBJECT TO CHANGE WITHOUT NOTICE. IT IS CONFIDENTIAL AND A PROPERTY OF Amphenol LTW. DISCLOSURE TO THIRD PARTY HAS TO BE AUTHORIZED BY Amphenol LTW.