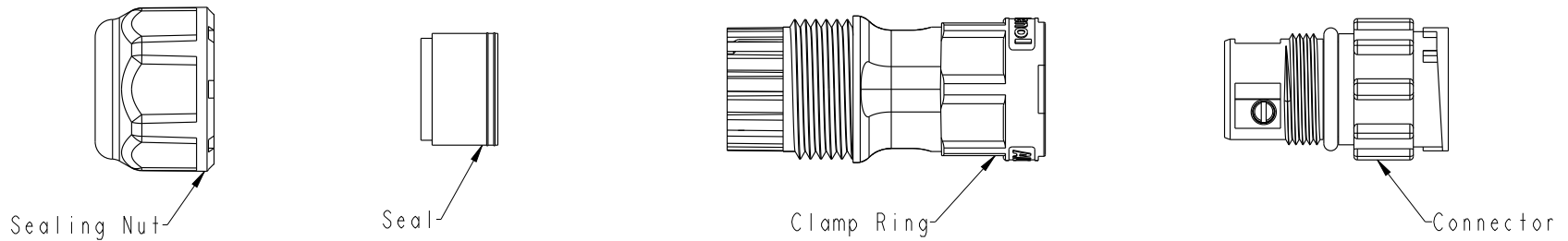


REV.	ECN NO.	DATE	SIGN	DESCRIPTION
B	C180527	2018/12/22	Mafei	Updated The Note.



Material Specification:

- \* Connector: Thermoplastic
- \* Terminal: Copper Alloy, Silver Plated.
- \* Seal & O-Ring: Rubber.
- \* UL Rated: UL 94V-0, fl.
- \* RoHS Compliant.

Electrical Specification:

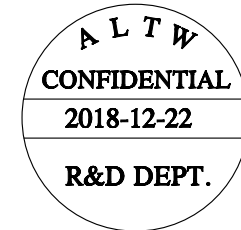
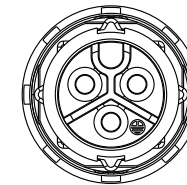
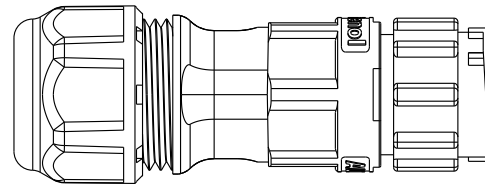
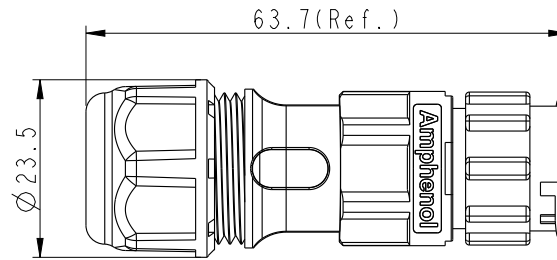
- \* Contact Resistance: 10mΩ Max.
- \* Insulation Resistance: 100MΩ Min.
- \* Dielectric Withstand Voltage: 1,600 Vac.

Mechanical Specification:

- \* Durability: 1000 Cycles.
- \* Wire conductor: 14AWG~12AWG(2.0mm<sup>2</sup>~3.3mm<sup>2</sup>).
- \* Wire insulation OD: Max 4.0mm.
- \* Torque Force for Clamp Ring: 6~8 kgf-cm
- \* Torque Force for Seal Nut: 8~15 kgf-cm
- \* Torque Force for Screw: 4~5 kgf-cm

Environmental Specification:

- \* Waterproof Rating: IP67
- \* Temperature Range: -40°C to 105°C.
- \* Salt Spray: Mated, 500 Hours.



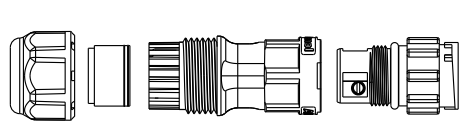
UNIT:mm		
TOLERANCE		
±0.5 mm		

TITLE POWER Field Installable Cable Screw-in Type M Conn M Pin			
SCALE 8:5	SIZE A4	SHEET 1 OF 2	
REV. B	WC-REV. A.3	QC: Inspection item	

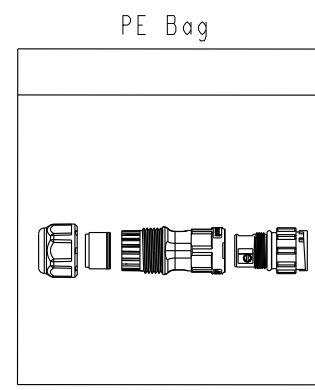
**Amphenol LTW**  
安費諾亮泰企業股份有限公司

ITEM NO	DRAWN BY Mafei	DATE 2018-12-22
DWG NO PWC-XXBMMB-LL7XPP	CHECKED BY Jerry	DATE 2018-12-22
CUSTOMER ALTW	APPROVED BY Max	DATE 2018-12-22

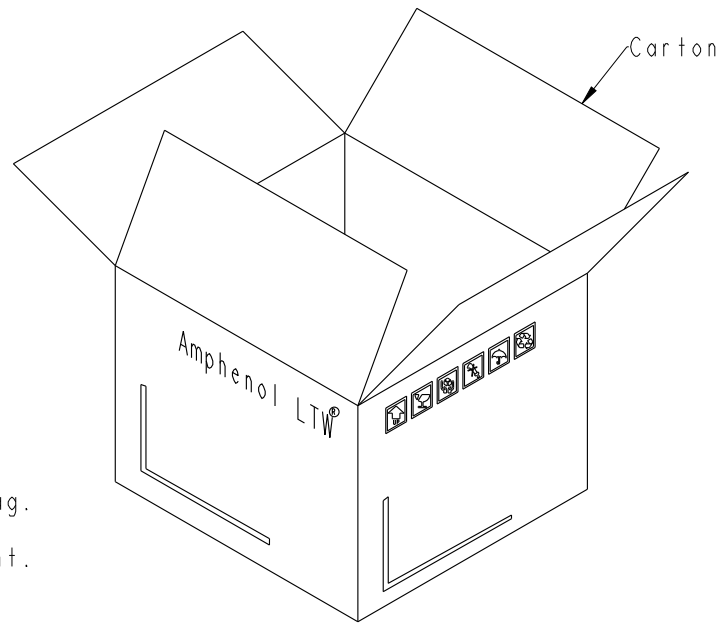
THIS DOCUMENT IS SUBJECT TO CHANGE WITHOUT NOTICE. IT IS CONFIDENTIAL AND A PROPERTY OF Amphenol LTW. DISCLOSURE TO THIRD PARTY HAS TO BE AUTHORIZED BY Amphenol LTW.



QTY: 1 Pcs



QTY: XX Pcs

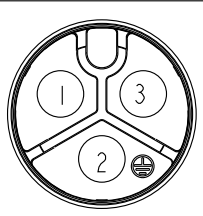


Ordering Information:

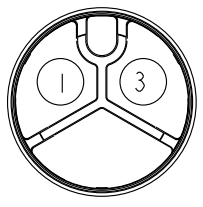
PWC-XXBMBB-LL7XPP

Number of Contacts  
02  
03

S: With Red Color Seal 1, Cable OD 6.0~8.0mm.  
M: With Yellow Color Seal 2, Cable OD 8.0~10.0mm.  
L: With Blue Color Seal 3, Cable OD 10.0~12.0mm.  
A: With Seal 1 & Seal 2 & Seal 3.



20A ; 300Vac/Vdc  
3 Contacts(03)



20A ; 300Vac/Vdc  
2 Contacts(02)

Note:

- \* One Set Unassembled In One PE Bag.  
(每一組未組裝, 放置於一個PE袋, 並封口, 如圖示)
- \* Label is Attached To PE Bag Front.  
(標籤貼在PE袋正面)

UNIT:mm	
TOLERANCE	±0.5 mm

TITLE POWER Field Installable Cable Screw-in Type M Conn M Pin			
SCALE 8:5	SIZE A4	SHEET 2 OF 2	
REV. B	WC-REV. A.3	QC: Inspection item	

**Amphenol LTW**  
安費諾亮泰企業股份有限公司

ITEM NO	DRAWN BY Mafei	DATE 2018-12-22
DWG NO PWC-XXBMBB-LL7XPP	CHECKED BY Jerry	DATE 2018-12-22
CUSTOMER ALTW	APPROVED BY Max	DATE 2018-12-22