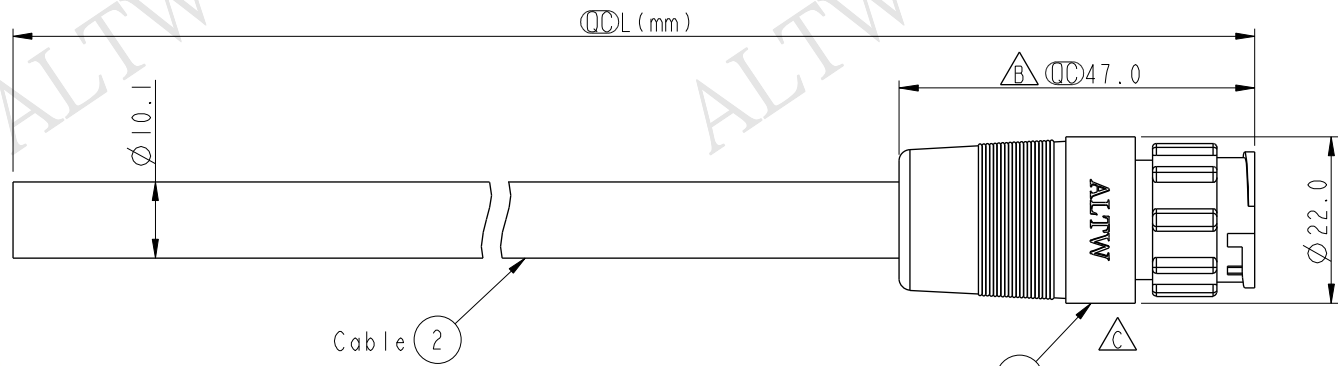
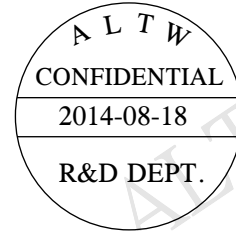


THIS DOCUMENT IS SUBJECT TO CHANGE WITHOUT NOTICE. IT IS CONFIDENTIAL AND A PROPERTY OF Amphenol LTW. DISCLOSURE TO THIRD PARTY HAS TO BE AUTHORIZED BY Amphenol LTW.

REV.	ECN NO.	DATE	SIGN	DESCRIPTION
B	LENI390133~36	2013/09/06	Rensong	Change dimension
C	LENI480544~547	2014/08/18	Sam	Change Logo

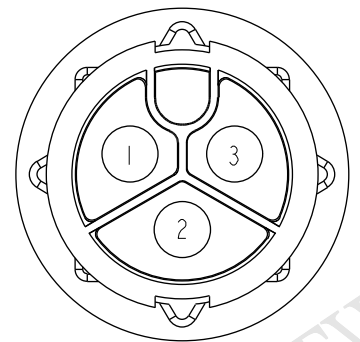


PWC-03BMMM-LL7100
Color: Black



PWC-03BMMM-LL7EXX
 XX : 01~99Meters
 01 : 01Meter
 02 : 02Meters
 :
 :
 99 : 99Meters
 Cable Length(L):01~99Meters

- Note:
- * \varnothing Important Dimension To Check.
 - * Waterproof Rate: IP67
 - * Connector: Nylon+GF, Black.
 - * Male Pin: Copper Alloy, Gold Plated.
 - * Lock Nut: Nylon+GF, Black.
 - * Cable: VDE H05 2.5mm²*3G, PVC Jacket, OD=10.1, Black.
 - * Cable Length Tolerance: 01M:40mm
02M~05M:±60mm
06M~10M:±100mm
11M~30M:±200mm
31M~99M:±500mm



Pin Assignments
Front View

3	Blue	藍
2	Black	黑
1	Brown	棕
Conn.	Wire Color	
Pin Out		

UNIT:mm	
TOLERANCE	
±0.5 mm	

TITLE POWER MOLDING M CONN. M PIN 20A			
SCALE 1:1	SIZE A4	SHEET 1	OF 1
REV. C	WC-REV. B.2	\varnothing : Inspection item	

Amphenol LTW
安費諾亮泰企業股份有限公司

ITEM NO	DRAWN BY Sam	DATE 2014-08-18
DWG NO PWC-03BMMM-LL7EXX	CHECKED BY Vicky	DATE 2014-08-18
CUSTOMER ALTW	APPROVED BY Rita	DATE 2014-08-18