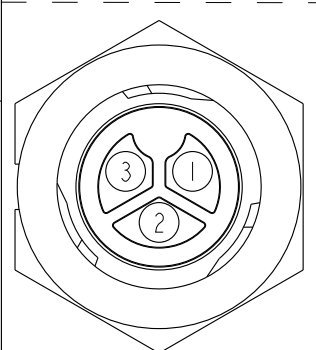
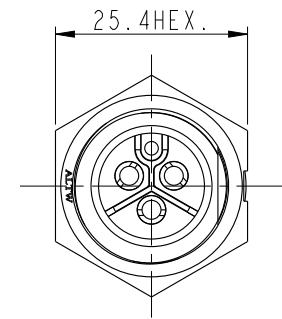
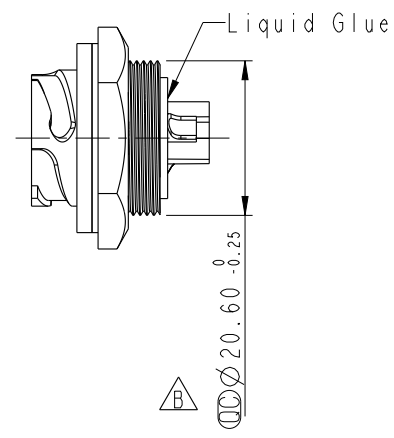
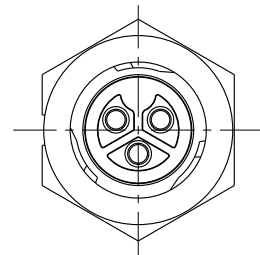
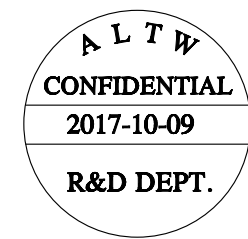
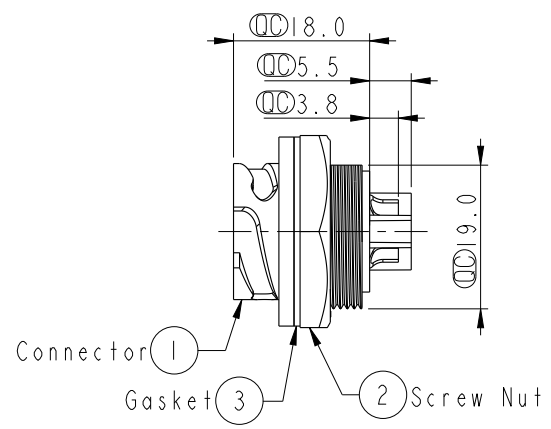
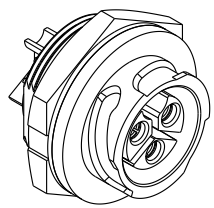
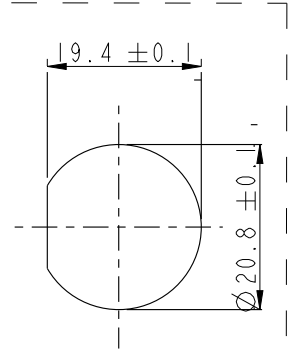


THIS DOCUMENT IS SUBJECT TO CHANGE WITHOUT NOTICE. IT IS CONFIDENTIAL AND A PROPERTY OF AMPHENOL LTW. DISCLOSURE TO THIRD PARTY HAS TO BE AUTHORIZED BY AMPHENOL LTW.

REV.	ECN NO.	DATE	SIGN	DESCRIPTION
A		2012/11/29	Tao-Cheng	Change Rev.01 To Rev.A
B	LEN17A0054	2017-10-09	Lingpeng	Modify The Dimensions And Tolerances



Pin Assignment  
Front View



Recommended  
Panel Cut-Out



- Note:
- \*  $\varnothing$  Important Dimension To Check
  - \* Waterproof Rate: IP67 (Mated)
  - \* Connector: Nylon+GF, Black
  - \* Female Pin: Copper Alloy, Gold Flash
  - \* Screw Nut: Nylon+GF, Black
  - \* Gasket: Silicone, Gray
  - \* Maximum Panel Thickness: 4.5mm

UNIT:mm			TITLE Power Panel 3Key 3Pin M Conn F Pin 20Amps
TOLERANCE	.X ±0.25	.XX ±0.1	SCALE 1:1
.XXX ±0.05	ANGLES ±1°	SIZE A4	SHEET 1 OF 1
REV. B	WC-REV. A.5	$\varnothing$ : Inspection item	

**Amphenol LTW**  
安費諾亮泰企業股份有限公司

ITEM NO PWC-03RMFS-TC7001	DRAWN BY Lingpeng	DATE 2017-10-09
DWG NO PWC-03RMFS-TC7001	CHECKED BY Mafei	DATE 2017-10-09
CUSTOMER ALTW	APPROVED BY Jerry	DATE 2017-10-09