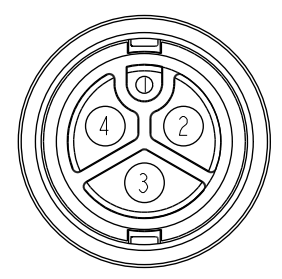
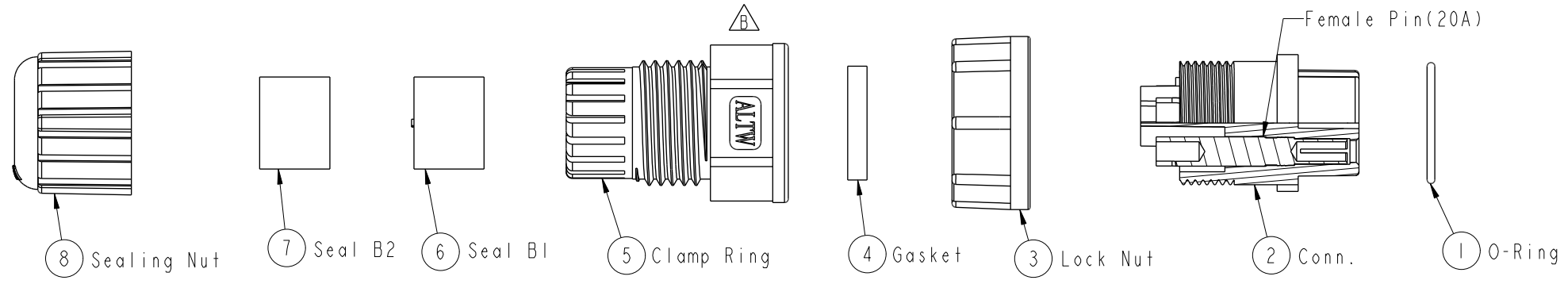
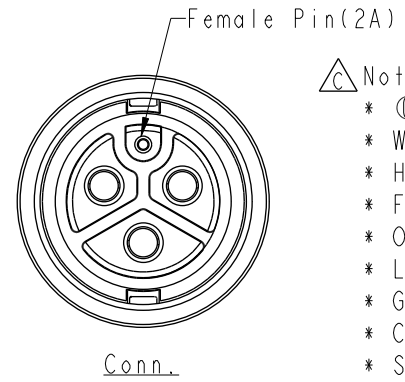
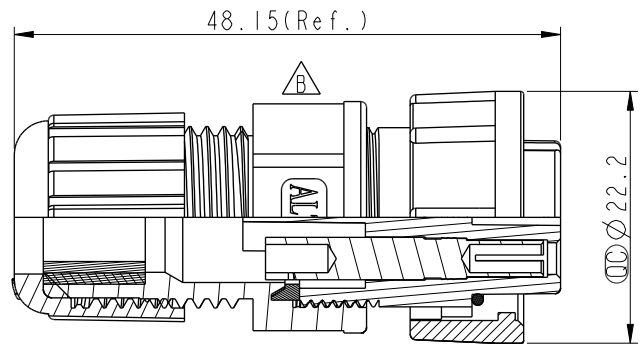


THIS DOCUMENT IS SUBJECT TO CHANGE WITHOUT NOTICE. IT IS CONFIDENTIAL AND A PROPERTY OF AMPHENOL LTW. DISCLOSURE TO THIRD PARTY HAS TO BE AUTHORIZED BY AMPHENOL LTW.

REV.	ECN NO.	DATE	SIGN	DESCRIPTION
A	Initial Release	2010/08/10	Aric	Change Rev.01 To Rev.A
B	LEN1741302	2017/04/20	Ruru	Change Logo
C	C201856	2020/11/25	Vicky	△C*2



Pin Assignments
Front View



- △ Note:
- * Ⓞ Important Dimensions To Check
 - * Waterproof Rate: IP67, Mated
 - * Housing: Thermoplastic, Black
 - * Female Pin: Copper Alloy, Gold Plated
 - * O-Ring: Rubber, Gray
 - * Lock Nut: Thermoplastic, Black
 - * Gasket: Rubber, Gray
 - * Clamp Ring: Thermoplastic, Black
 - * Sealing Nut: Thermoplastic, Black
 - * Seal B1 For Cable OD: $\varnothing 7.5\text{mm} \sim 9.5\text{mm}$
 - * Seal B2 For Cable OD: $\varnothing 4.5\text{mm} \sim 7.5\text{mm}$
 - * One Set Unassembled In One PE Bag
 - * UL94V-0 rated materials

A	UNIT:mm			TITLE	<h1>Amphenol LTW</h1> <p>安費諾亮泰企業股份有限公司</p>	ITEM NO	PWCU-04BFFA-LL7002	DRAWN BY	Ruru	DATE	2017-04-20			
	TOLERANCE	$\pm 0.5\text{mm}$				SCALE	3:2	DWG NO	PWCU-04BFFA-LL7002	CHECKED BY	Rita	DATE	2017-04-20	
				REV.		C	WC-REV.	A.4	CUSTOMER	ALTW	APPROVED BY	Max	DATE	2017-04-20