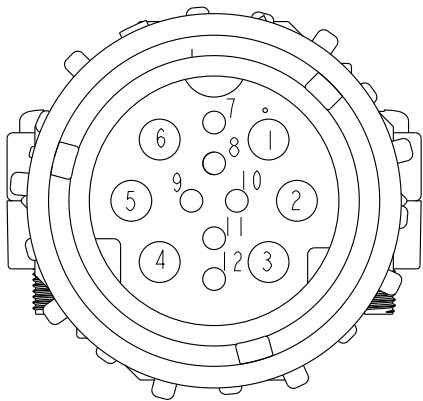
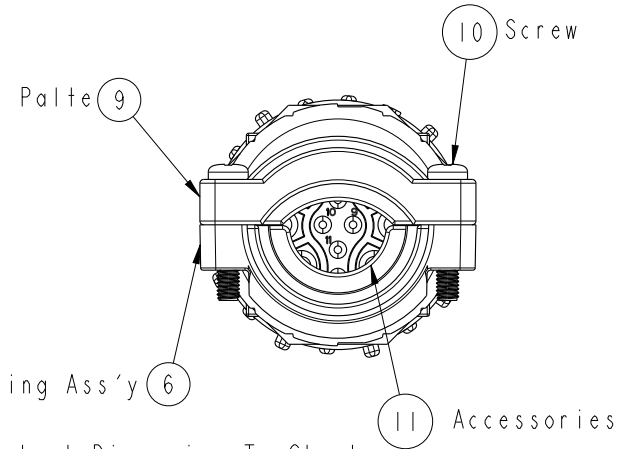
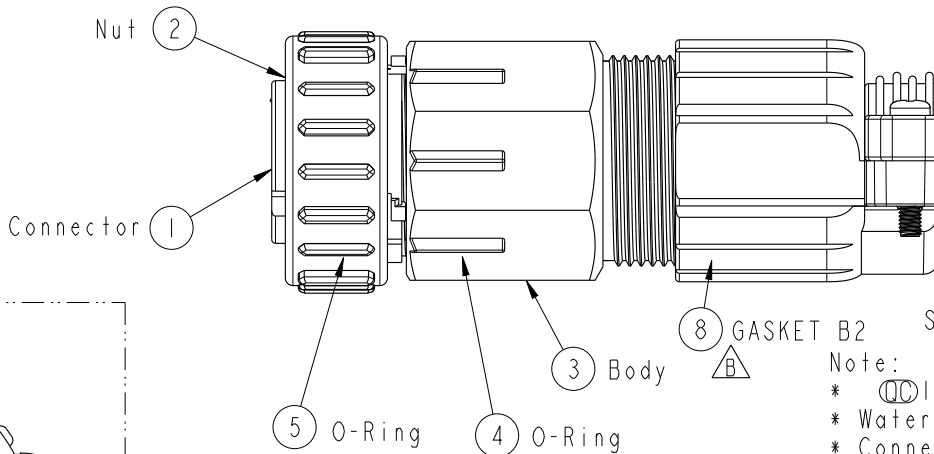
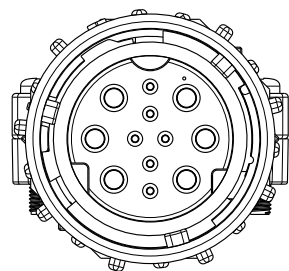
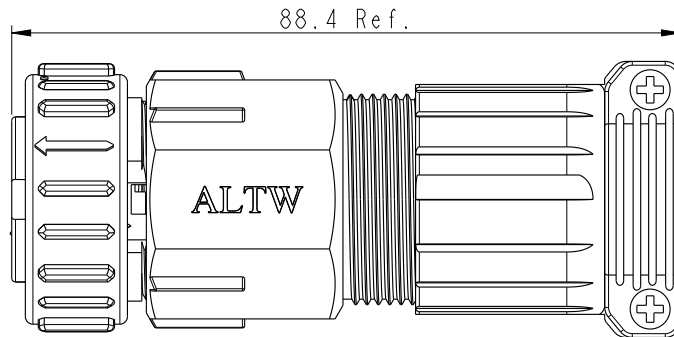
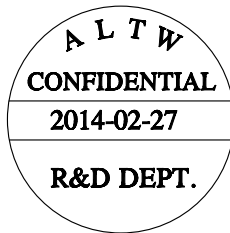
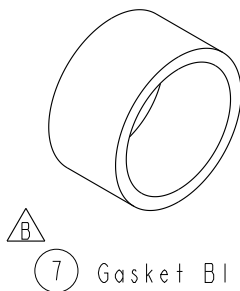


REV.	ECN NO.	DATE	SIGN	DESCRIPTION
B	LEN1430005	2014-02-27	Yulong_wang	Change the Ball



Pin Assignments
Front View



- Note:
- * \varnothing Important Dimension To Check.
 - * Waterproof Rate : IP67
 - * Connector: PPE , Black
 - * Female Pin: Brass, Tin Plate, For 20A
 - * Female Pin: Brass, Gold Plated, For 2A
 - * Rated Voltage: 250V rms
 - * Recommended Gauge: 20A: 12AWG
2A: 22AWG~24AWG
 - * Lock Nut: PPE, Black
 - * O-Ring & Gasket: Silicone, Gray
 - * Cable OD Max: B1: \varnothing 10~ \varnothing 14.5mm
B2: \varnothing 14.5~ \varnothing 19mm
 - * Screw of Salt Spray Test : 720 hours.
 - * Accessories: PP, Black, Use for Cable OD 10~14mm
 - * One Set assembled and Gasket (B1) in one PE Bag

UNIT: mm		TITLE Power Assy Lock 12Pin F Con F Pin			<h1>Amphenol LTW</h1> <p>安費諾亮泰企業股份有限公司</p>	ITEM NO	DRAWN BY	DATE
		TOLERANCE .X ±0.25 .XX ±0.1 .XXX ±0.05 ANGLES ±1°	SCALE 1:1	SIZE A4		SHEET 1 OF 1	PWCU-12BFFA-TL7001	Yulong_wang
		REV. B	WC-REV. B.1	Inspection item	DWG NO PWCU-12BFFA-TL7001	CHECKED BY Tony	DATE 2014-02-27	
					CUSTOMER ALTW	APPROVED BY Victor	DATE 2014-02-27	

THIS DOCUMENT IS SUBJECT TO CHANGE WITHOUT NOTICE. IT IS CONFIDENTIAL AND A PROPERTY OF Amphenol LTW. DISCLOSURE TO THIRD PARTY HAS TO BE AUTHORIZED BY Amphenol LTW.