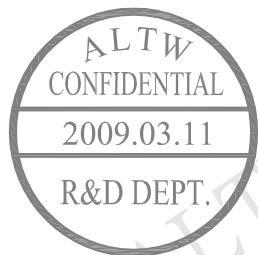
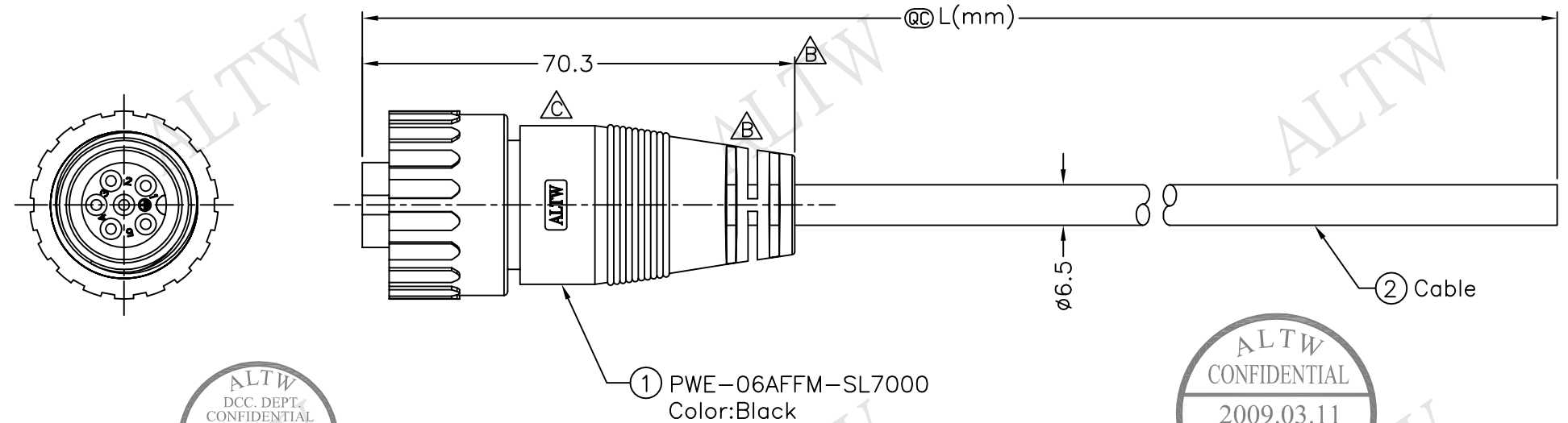
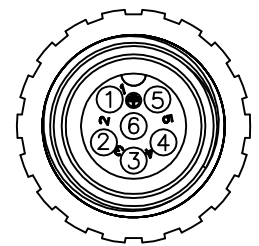


REV.	ECN NO.	DATE	SIGN	DESCRIPTION
B	LEN-940110~3	2009/03/11	Li Xiu Zhi	Change SR & Dimension
C	LEN1730108~111	2017/03/09	Ruru	Change Logo



PWE-06AFFM-SL7AXX  
 XX:01~99Meter  
 01:01Meter  
 02:02Meters  
 ...  
 99:99Meters  
 Cable Length(L):01~99Meters

- Note:
- \* @C Important Dimensions To Check.
  - \* Waterproof Rate: IP67
  - \* Housing: Nylon+GF, Black
  - \* Pin: Copper Alloy, Gold Plated
  - \* O-Ring: EPDM, Black
  - \* Nut: Nylon+GF, Black
  - \* Cable: UL2464 20WG\*6C+D+AL, PVC Jacket UV Resistant, OD=6.5mm, Black
  - \* Cable Length Tolerance:
    - 01M:40mm
    - 02M~05M:60mm
    - 06M~10M:100mm
    - 11M~30M:200mm
    - 31M~99M:500mm



Pin Assignments  
Front View 前視圖

6	Grey	灰
5	Yellow	黃
4	Green	綠
3	White	白
2	Blue	藍
1	Brown	棕
Conn.	Wire Color	Pin Out

UNIT:mm	
TOLERANCE	$\Delta \pm 0.5mm$

TITLE Power,Cable Screw 6Pin F Conn. F Pin	
SCALE Free	SHEET 1 OF 1
REV. C	SIZE A4
QC :Inspection Item	

**Amphenol LTW**  
安費諾亮泰企業股份有限公司

ITEM NO	DRAWN BY Ruru	DATE 2017/03/10
DWG NO PWE-06AFFM-SL7AXX	CHECKED BY Rita	DATE 2017/03/10
CUSTOMER ALTW	APPROVED BY Max	DATE 2017/03/10

THIS DOCUMENT IS SUBJECT TO CHANGE WITHOUT NOTICE. IT IS CONFIDENTIAL AND A PROPERTY OF Amphenol LTW. DISCLOSURE TO THIRD PARTY HAS TO BE AUTHORIZED BY Amphenol LTW.