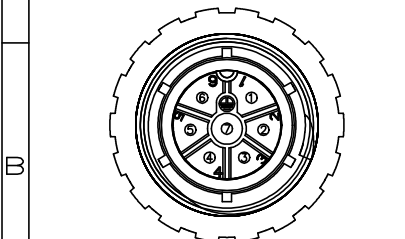
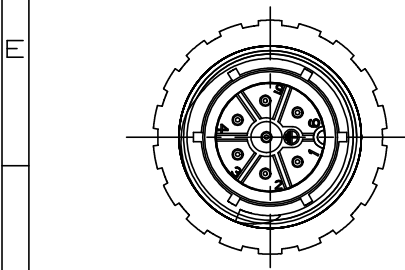
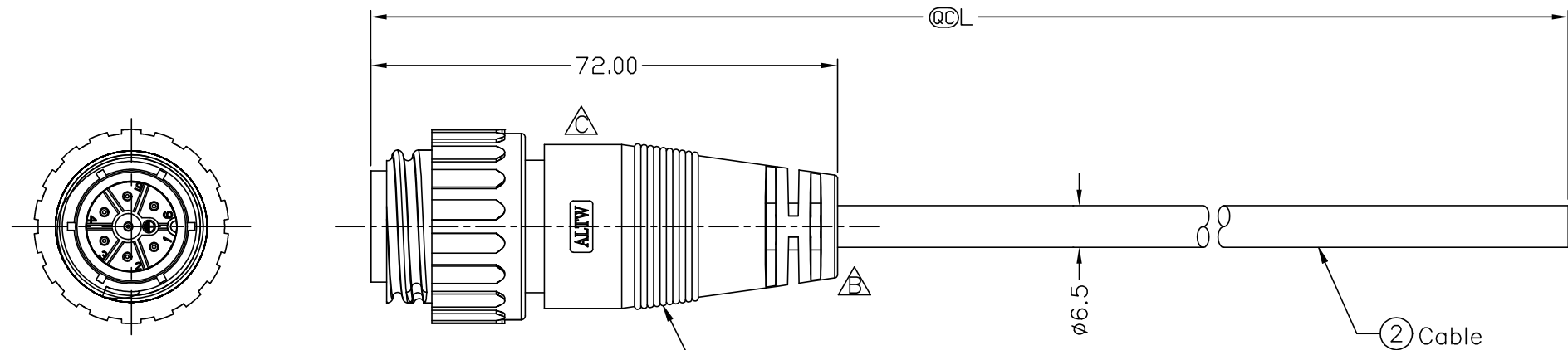


REV.	ECN NO.	DATE	SIGN	DESCRIPTION
B	LEN-8C0197~200	2008/10/30	Li Xiu Zhi	Change SR
C	LEN1730094~98	2017/03/09	Ruru	Change Logo
D	C201406	2020/09/11	Cynthia	△X1

THIS DOCUMENT IS SUBJECT TO CHANGE WITHOUT NOTICE. IT IS CONFIDENTIAL AND A PROPERTY OF Amphenol LTW. DISCLOSURE TO THIRD PARTY HAS TO BE AUTHORIZED BY Amphenol LTW.



Pin Assignments
Front View 前視圖

Pin	Wire Color	Pin Out
7	Blue	藍
6	Green	綠
5	Yellow	黃
4	Orange	橙
3	Red	紅
2	Brown	棕
1	Black	黑
Conn.	Wire Color	

△
PWE-07AMMM-SL7AXX
XX:01~99Meter
01:01Meter
02:02Meters
:
:
99:99Meters
Cable Length(L):01~99Meters

- Note:
- * @CL Important Dimension.
 - * Waterproof Rate: IP67
 - * Housing: Nylon+GF, Black
 - * Male pin: Copper Alloy, Gold Plated
 - * Screw Nut: Nylon+GF, Black
 - * Cable: UL2464 20AWG*7C+D+AL/My
UV Resistant, OD=6.5mm, Black
 - * Cable Length Tolerance:01M:40mm
02M~05M:60mm
06M~10M:100mm
11M~30M:200mm
31M~99M:500mm

UNIT:mm		TITLE 6+PE M Conn M Pin(8A) Screw Type For Cable	Amphenol LTW 安費諾亮泰企業股份有限公司	ITEM NO	DRAWN BY Ruru	DATE 2017/03/09
TOLERANCE ±0.5 mm	SCALE Free	SHEET 1 OF 1		DWG NO PWE-07AMMM-SL7AXX	CHECKED BY Rita	DATE 2017/03/09
REV. D	SIZE A4	QC : Inspection Item	CUSTOMER ALTW	APPROVED BY Max	DATE 2017/03/09	