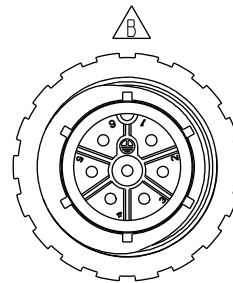
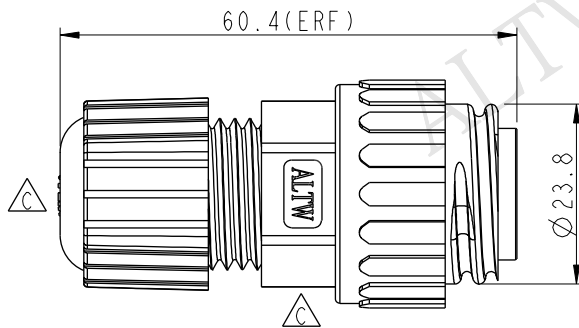
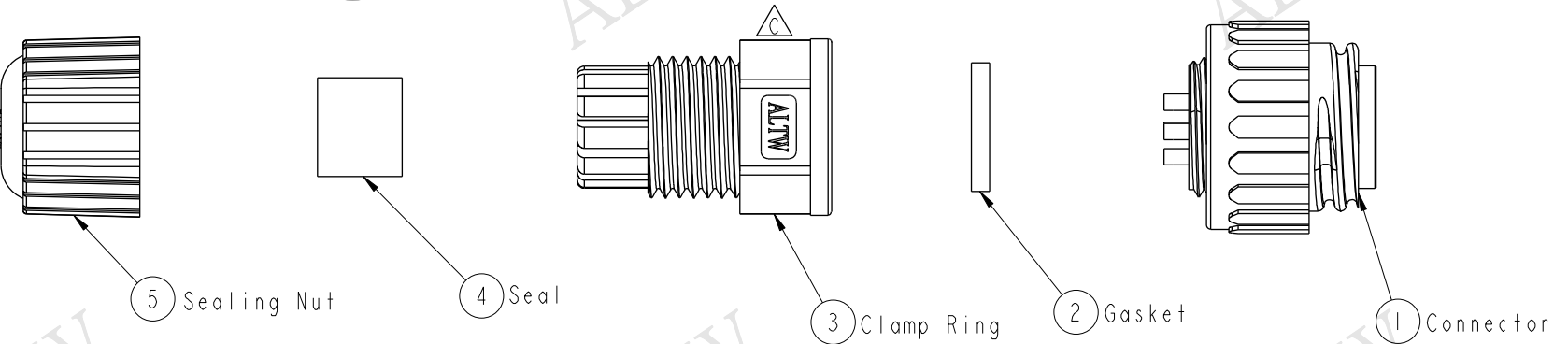


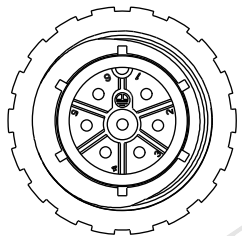
REV.	ECN NO.	DATE	SIGN	DESCRIPTION
B	LEN-8C0184	2008/12/06	Prune	Change The View
C	LEN1570119	2015/06/30	Jason.Yu	Update LOGO

ALTW
CONFIDENTIAL
2015-06-30
R&D DEPT.



Conn.

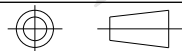
- Note:
- * CC Important Dimensions To Check.
 - * Waterproof Rate: IP67
 - * Housing: Black, Nylon+GF
 - * Pin: Copper Alloy, Gold Plated
 - * Nut: Black, Nylon+GF
 - * Gasket: Black, Silicone
 - * Ring: Black, EPDM
 - * Clamp Ring: Black, Nylon
 - * Sealing Nut: Black, Nylon
 - * Seal For Cable OD: $\text{Ø}5.5\text{mm}\sim 10.8\text{mm}$



Pin Assignments
Front View

ALTW
DCC. DEPT.
CONFIDENTIAL
2015.07.17
ISSUED

UNIT:mm



TOLERANCE
.X ± 0.25
.XX ± 0.1
.XXX ± 0.05
ANGLES $\pm 1^\circ$

TITLE Power Assy Screw 7Pin M Conn M Pin			
SCALE 1:1	SIZE A4	SHEET 1 OF 1	
REV. C	WC-REV. A.2	CC : Inspection item	

Amphenol LTW
安費諾亮泰企業股份有限公司

ITEM NO.	DRAWN BY	DATE
PWE-07BMMA-SL7001	Jason.Yu	2015/06/30
DWG NO.	CHECKED BY	DATE
PWE-07BMMA-SL7001	Aric	2015/06/30
CUSTOMER	APPROVED BY	DATE
ALTW	Lion	2015/06/30