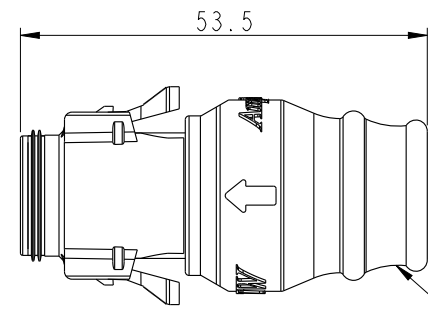
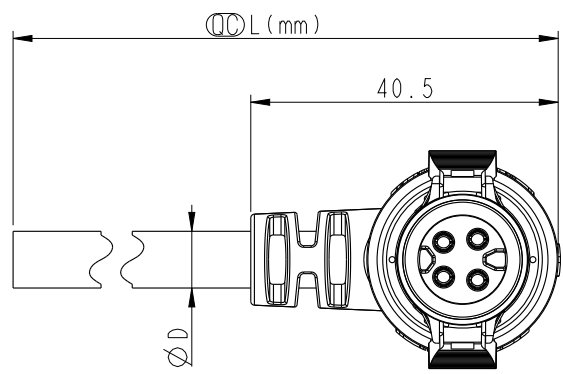
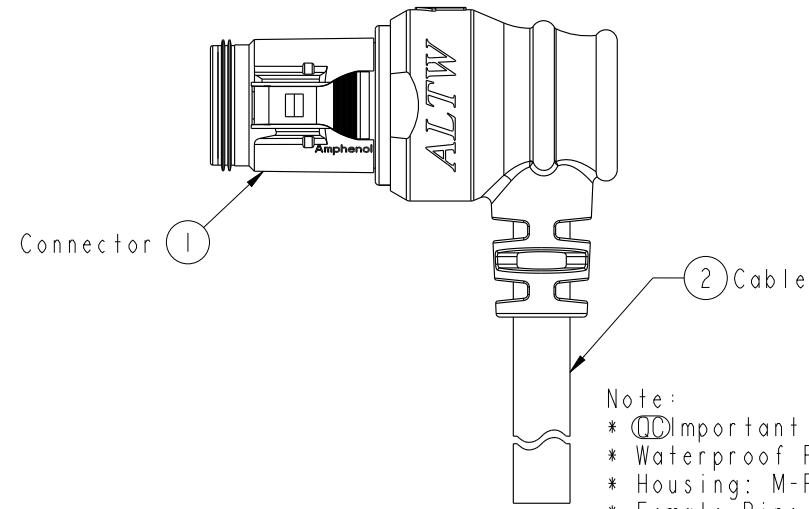
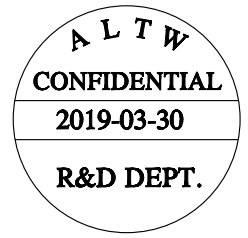
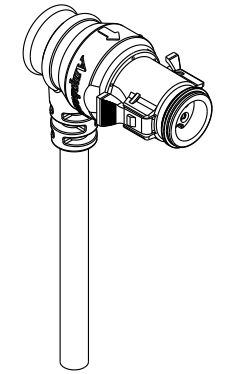


THIS DOCUMENT IS SUBJECT TO CHANGE WITHOUT NOTICE. IT IS CONFIDENTIAL AND A PROPERTY OF Amphenol LTW. DISCLOSURE TO THIRD PARTY HAS TO BE AUTHORIZED BY Amphenol LTW.

REV.	ECN NO.	DATE	SIGN	DESCRIPTION



Outer Mold  
Color:Black



- Note:
- \*  $\varnothing$  Important Dimension To Check.
  - \* Waterproof Rate: IP68
  - \* Housing: M-PPE , Black.
  - \* Female Pin: Copper Alloy, Gold Plated.
  - \* Gasket: Silicone, Gray.
  - \* Cable: UL21388 16#, PVC Jacket, UV Resistant, Black.
  - \* Cable Length Tolerance: 01M:±40mm  
02M~05M:±60mm  
06M~10M:±100mm  
11M~30M:±200mm  
31M~99M:±500mm

\* Prohibiting the use of place in oils

CB-02AMFM-RR8DXX	Ø6.0
CB-03AMFM-RR8DXX	Ø6.5
CB-04AMFM-RR8DXX	Ø6.8
Part No.	Cable OD

<b>UNIT:mm</b>		
<b>TOLERANCE</b>	±0.5	

TITLE MLDDIE CABLE RBL M CONN F PIN			
SCALE 1:1	SIZE A4	SHEET 1 OF 2	
REV. A	WC-REV. A.1	$\varnothing$ : Inspection item	

**Amphenol LTW**  
安費諾亮泰企業股份有限公司

ITEM NO.	DRAWN BY Peng	DATE 2019-03-30
DWG NO. CB-XXAMFM-RR8DXX	CHECKED BY Mafei	DATE 2019-03-30
CUSTOMER ALTW	APPROVED BY Jerry	DATE 2019-03-30

THIS DOCUMENT IS SUBJECT TO CHANGE WITHOUT NOTICE. IT IS CONFIDENTIAL AND A PROPERTY OF AMPHENOL LTW. DISCLOSURE TO THIRD PARTY HAS TO BE AUTHORIZED BY AMPHENOL LTW.

1                      2                      3                      4                      5                      6                      7                      8

F

E

D

C

B

A

CB-XXAMFM-RR8D XX

Middle Size Current Rating 10A

XX:No. Of Pin(Pin 數)

A:Cable With S/R(線端帶網尾)

M:Male Connector(公座)

F:Female Pin(母Pin)

M:Molding Type(射出成型)

XX:01~99Meter

01:01Meter

02:02Meter

...

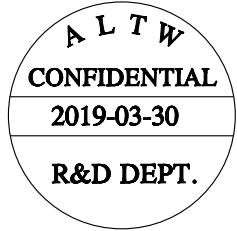
99:99Meter

D:UL 21388 Cable

8:IP68(防水等級 68)

R:Right Angle(90°)

R:Snap In With Latch(彈臂卡合式)



Pin Out	4	--	4	Brown 棕	4	Brown 棕
	3	Red 紅	3	Red 紅	3	Red 紅
	2	--	2	--	2	Orange 橙
	1	Black 黑	1	Black 黑	1	Black 黑
Pin Assignments Front View						
	2Pin		3Pin		4Pin	

UNIT:mm		TITLE MLDDIE CABLE RBL M CONN F PIN	
TOLERANCE ±0.5		SCALE 1:1	SIZE A4
		REV. A	WC-REV. A.1
		SHEET 2 OF 2 QC: Inspection item	

**Amphenol LTW**  
安費諾亮泰企業股份有限公司

ITEM NO	DRAWN BY Peng	DATE 2019-03-30
DWG NO CB-XXAMFM-RR8DXX	CHECKED BY Mafei	DATE 2019-03-30
CUSTOMER ALTW	APPROVED BY Jerry	DATE 2019-03-30