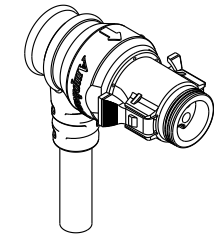
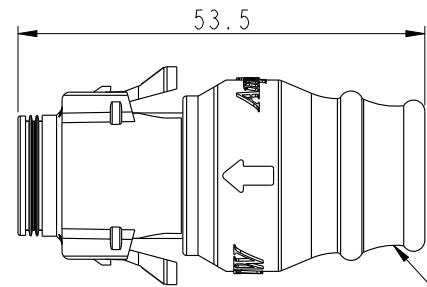
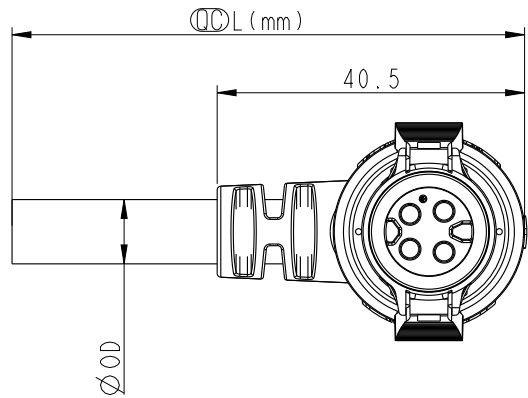
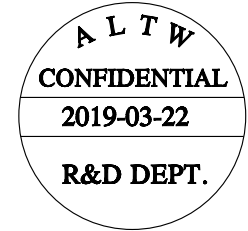
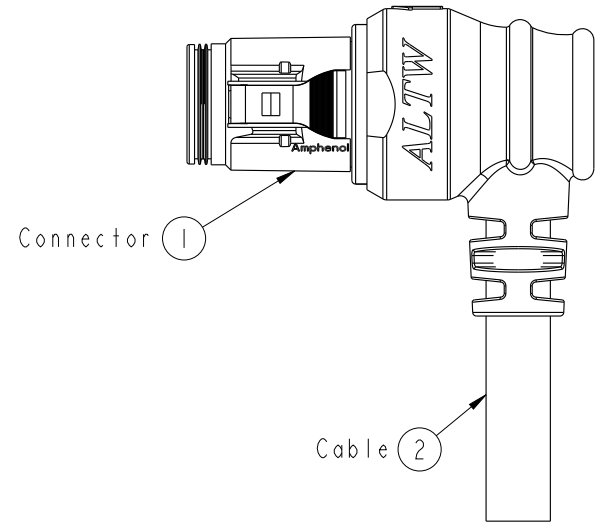


THIS DOCUMENT IS SUBJECT TO CHANGE WITHOUT NOTICE. IT IS CONFIDENTIAL AND A PROPERTY OF Amphenol LTW. DISCLOSURE TO THIRD PARTY HAS TO BE AUTHORIZED BY Amphenol LTW.

REV.	ECN NO.	DATE	SIGN	DESCRIPTION



Outer Mold
Color:Black



- Note:
- * C Important Dimension To Check.
 - * Waterproof Rate: IP68
 - * Housing: M-PPE, Black.
 - * Female Pin: Copper Alloy, Gold Plated.
 - * Gasket: Silicone, Gray.
 - * Cable: SJTW 16#, PVC Jacket, UV Resistant, Black.
 - * Cable Length Tolerance: 01M:±40mm
02M~05M:±60mm
06M~10M:±100mm
11M~30M:±200mm
31M~99M:±500mm
 - * Prohibiting the use of place in oils

CB-02AMFM-RR8EXX	Ø 8.2
CB-03AMFM-RR8EXX	Ø 8.6
CB-04AMFM-RR8EXX	Ø 9.3
Part No.	Cable OD

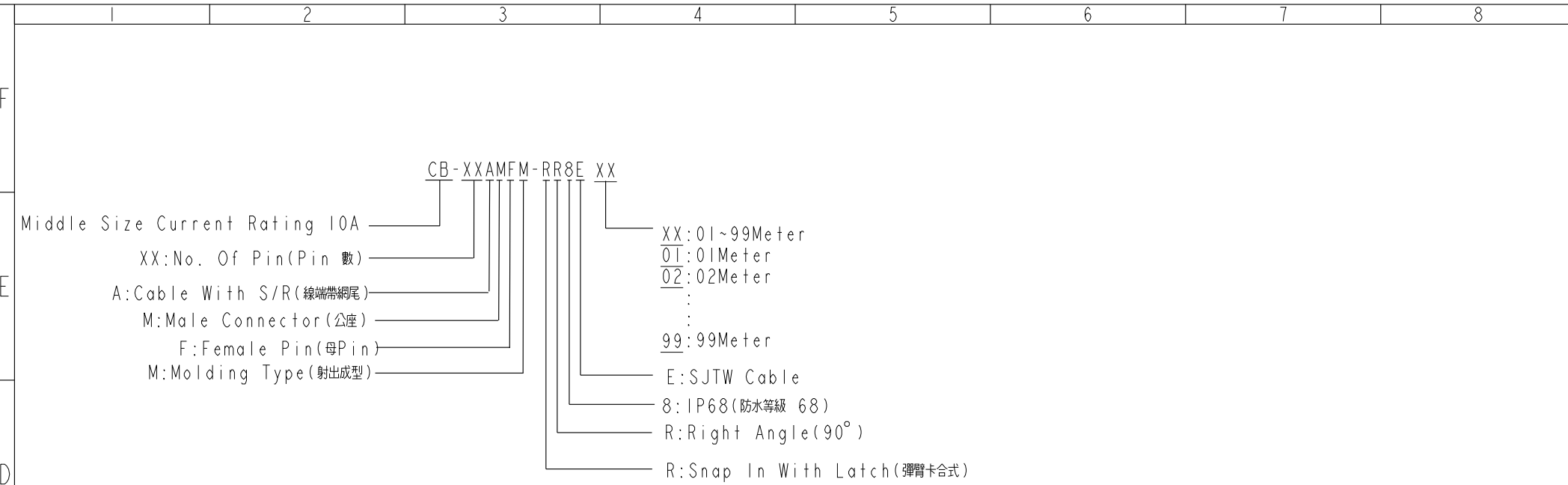
UNIT:mm		
TOLERANCE	±0.5	

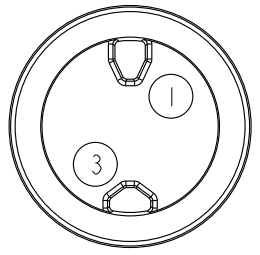
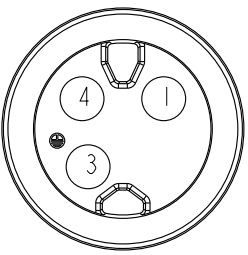
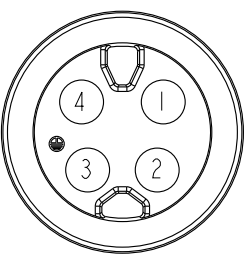
TITLE MIDDLE CABLE RBL M CONN M PIN			
SCALE 1:1	SIZE A4	SHEET 1 OF 2	
REV. A	WC-REV. A.1	C : Inspection item	

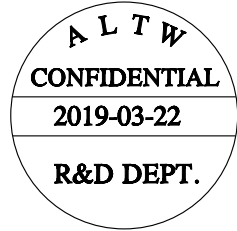
Amphenol LTW
安費諾亮泰企業股份有限公司

ITEM NO.	DRAWN BY Peng	DATE 2019-03-22
DWG NO. CB-XXAMFM-RR8EXX	CHECKED BY Mafei	DATE 2019-03-22
CUSTOMER ALTW	APPROVED BY Jerry	DATE 2019-03-22

THIS DOCUMENT IS SUBJECT TO CHANGE WITHOUT NOTICE. IT IS CONFIDENTIAL AND A PROPERTY OF Amphenol LTW. DISCLOSURE TO THIRD PARTY HAS TO BE AUTHORIZED BY Amphenol LTW.



Pin Out	4	--	4	Green 綠	4	Green 綠
	3	White 白	3	White 白	3	White 白
	2	--	2	--	2	Red 紅
	1	Black 黑	1	Black 黑	1	Black 黑
Pin Assignments Front View						
	2Pin		3Pin		4Pin	



UNIT:mm TOLERANCE ±0.5	TITLE MIDDLE CABLE RBL M CONN M PIN			Amphenol LTW 安費諾亮泰企業股份有限公司	ITEM NO	DRAWN BY Peng	DATE 2019-03-22
	SCALE 1:1	SIZE A4	SHEET 2 OF 2		DWG NO CB-XXAMMM-RR8EXX	CHECKED BY Mafei	DATE 2019-03-22
	REV. A	WC-REV. A.1	☉: Inspection item		CUSTOMER ALTW	APPROVED BY Jerry	DATE 2019-03-22