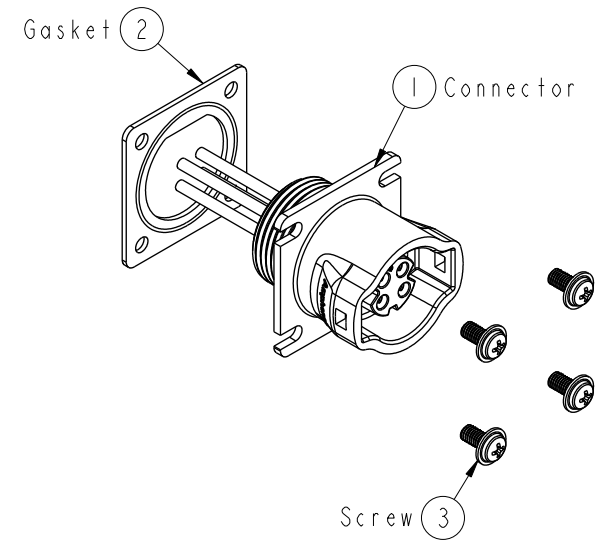
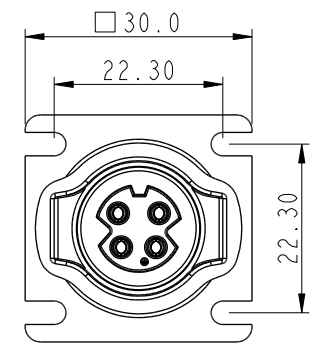
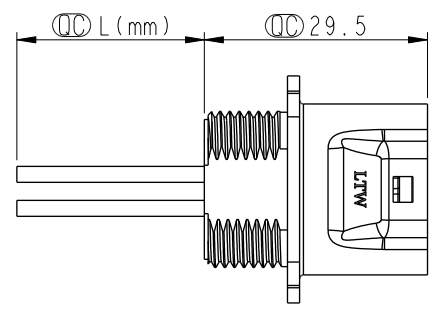
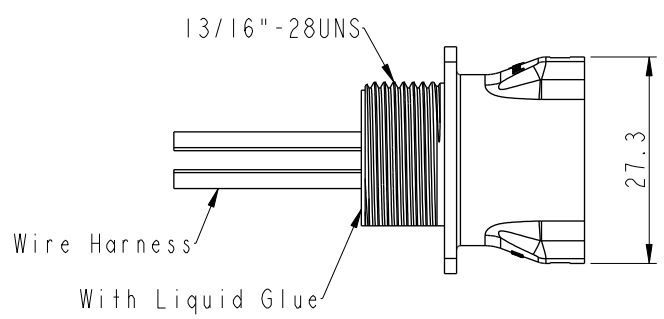
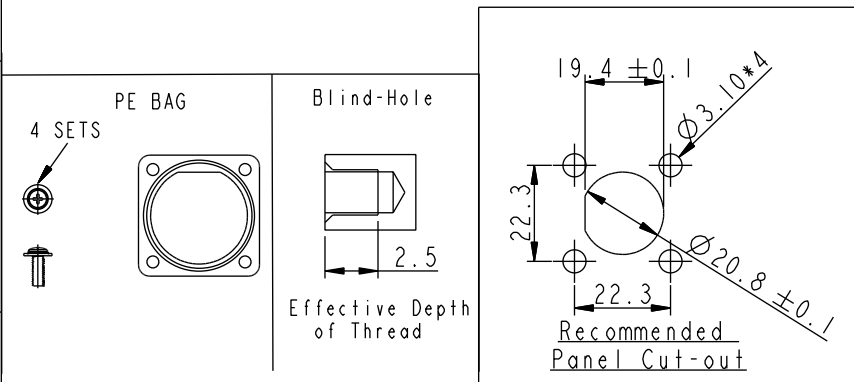


THIS DOCUMENT IS SUBJECT TO CHANGE WITHOUT NOTICE. IT IS CONFIDENTIAL AND A PROPERTY OF Amphenol LTW. DISCLOSURE TO THIRD PARTY HAS TO BE AUTHORIZED BY Amphenol LTW.

REV.	ECN NO.	DATE	SIGN	DESCRIPTION
A		2020/05/12	Vicky	Initial Released



- Note:
- \* Q Important Dimension To Check.
  - \* Waterproof Rate: IP68, Unmated  
IP68: 1M Depth of water in 24 hours
  - \* Connector: Thermoplastic, Black
  - \* Female Pin: Copper Alloy, Gold Plated.
  - \* Gasket: Rubber, Gray.
  - \* Wire Harness: UL1015, 16AWG
  - \* Blind holes for the screws used M3X0.5mm
  - \* Blind Hole Size M3X0.5mm
  - \* Wire harness Tolerance: 100mm ±10mm  
101~300mm ±15mm  
301~1000mm ±20mm
  - \* Prohibiting the use of place in oils



UNIT:mm		TITLE	RBL, C-10A, REAR FASTENED F, F, SOLDER, RBL	
TOLERANCE	±0.5mm	SCALE	1:1	SHEET 1 OF 2
REV.	A	WC-REV.	A.1	Q: Inspection item

**Amphenol LTW**  
安費諾亮泰企業股份有限公司

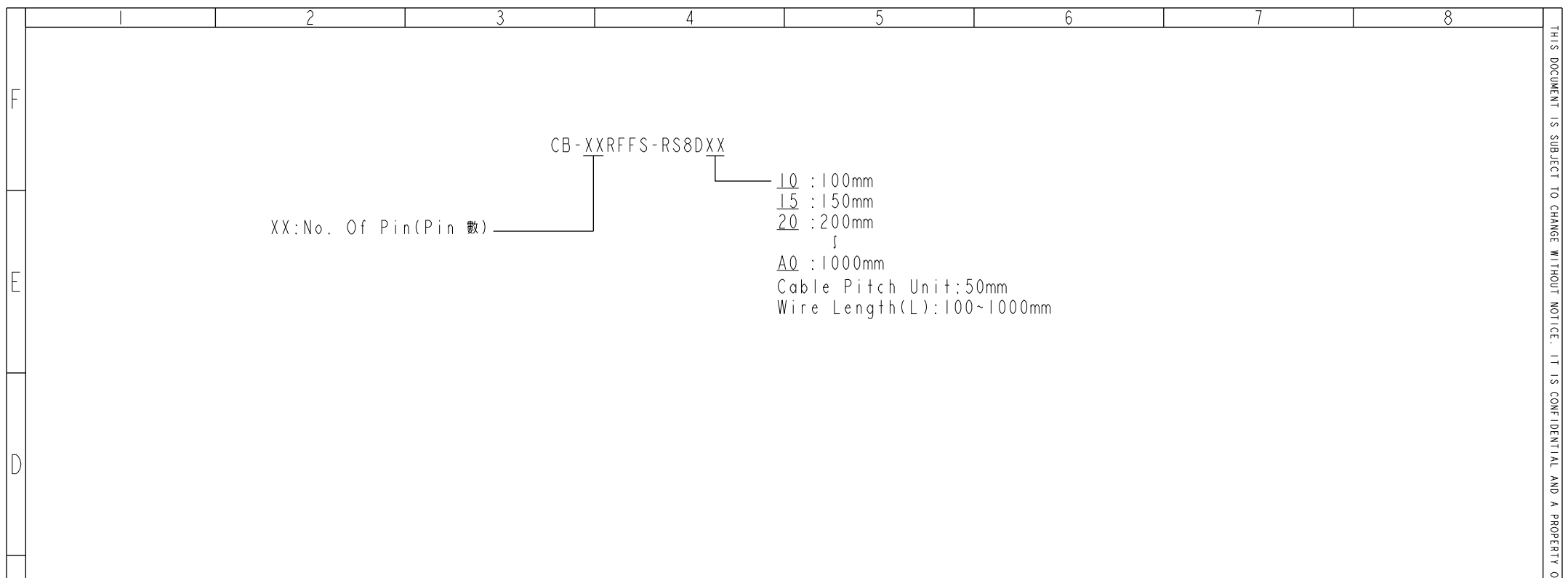
ITEM NO.	DRAWN BY	DATE
	Vicky	2020-05-12
DWG NO.	CHECKED BY	DATE
CB-XXRFFS-RS8DXX	Rita	2020-05-12
CUSTOMER	APPROVED BY	DATE
ALTW	Max	2020-05-12

THIS DOCUMENT IS SUBJECT TO CHANGE WITHOUT NOTICE. IT IS CONFIDENTIAL AND A PROPERTY OF Amphenol LTW. DISCLOSURE TO THIRD PARTY HAS TO BE AUTHORIZED BY Amphenol LTW.

CB-XXRFFS-RS8DXX

XX:No. Of Pin(Pin 數)

- 10 :100mm
- 15 :150mm
- 20 :200mm
- ↓
- A0 :1000mm
- Cable Pitch Unit:50mm
- Wire Length(L):100~1000mm



Pin Out	4	--	4	Green 綠	4	Green 綠
	3	White 白	3	White 白	3	White 白
	2	--	2	--	2	Red 紅
	1	Black 黑	1	Black 黑	1	Black 黑
Pin Assignments Front View						
	2Pin		3Pin		4Pin	

UNIT:mm TOLERANCE ±0.5mm	 TITLE RBL, C-10A, REAR FASTENED F, F, SOLDER, RBL SCALE 1:1 SIZE A4 SHEET 2 OF 2 REV. A WC-REV. A.1		<b>Amphenol LTW</b> 安費諾亮泰企業股份有限公司 比例 3:2	ITEM NO	DRAWN BY Vicky	DATE 2020-05-12
	REV. A WC-REV. A.1 ◎◎: Inspection item			DWG NO CB-XXRFFS-RS8DXX	CHECKED BY Rita	DATE 2020-05-12
				CUSTOMER ALTW	APPROVED BY Max	DATE 2020-05-12