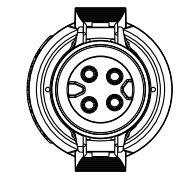
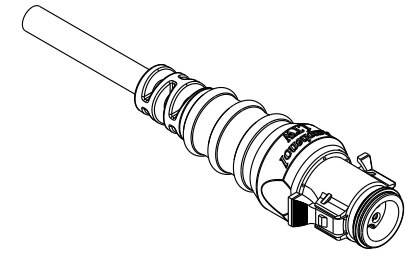
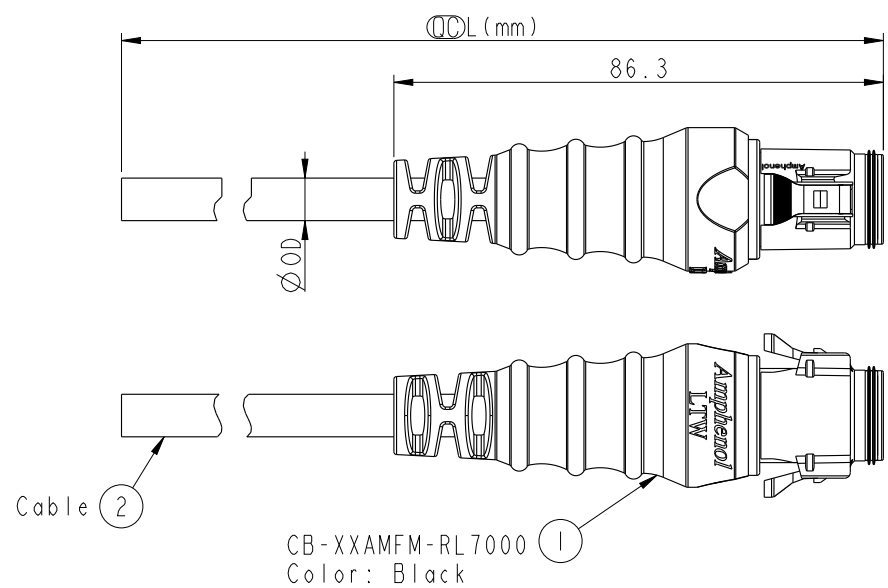
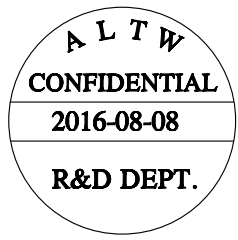


THIS DOCUMENT IS SUBJECT TO CHANGE WITHOUT NOTICE. IT IS CONFIDENTIAL AND A PROPERTY OF Amphenol LTW. DISCLOSURE TO THIRD PARTY HAS TO BE AUTHORIZED BY Amphenol LTW.

REV.	ECN NO.	DATE	SIGN	DESCRIPTION
B	LEN1580284~86	2015/08/12	Lu Di	Change To Common Drawing
C	LEN1680345 LEN1680352-53	2016/08/08	Mafei	Updated The Pin Out Color.



Conn



- Note:
- * Ⓞ Important Dimension To Check.
 - * Waterproof Rate: IP67
 - * Housing: M-PPE , Black.
 - * Female Pin: Copper Alloy, Gold Plated.
 - * Cable: UL2464 16#,PVC Jacket ,UV Resistant,Black.
 - * Cable Length Tolerance: 01M:±40mm
02M~05M:±60mm
06M~10M:±100mm
11M~30M:±200mm
31M~99M:±500mm
 - * Prohibiting the use of place in oils

CB-02AMFM-RL7AXX	Ø7.8
CB-03AMFM-RL7AXX	Ø7.5
CB-04AMFM-RL7AXX	Ø7.5
Part No.	Cable OD

UNIT:mm		
TOLERANCE	±0.5	

TITLE			
MIDDLE CABLE RBL M CONN F PIN			
SCALE	SIZE	SHEET	OF
3:4	A4	1	2
REV.	WC-REV.	Ⓞ: Inspection item	
C	A.3		

Amphenol LTW
安費諾亮泰企業股份有限公司

ITEM NO	DRAWN BY	DATE
	Mafei	2016/08/08
DWG NO	CHECKED BY	DATE
CB-XXAMFM-RL7AXX	Joyy	2016/08/08
CUSTOMER	APPROVED BY	DATE
ALTW	Jerry	2016/08/08

THIS DOCUMENT IS SUBJECT TO CHANGE WITHOUT NOTICE. IT IS CONFIDENTIAL AND A PROPERTY OF AMPHENOL LTW. DISCLOSURE TO THIRD PARTY HAS TO BE AUTHORIZED BY AMPHENOL LTW.



CB-XXAMFM-RL7A XX

Middle Size Current Rating 10A

XX: No. Of Pin (Pin 數)

A: Cable With S/R (線端帶網尾)

M: Male Connector (公座)

F: Female Pin (母Pin)

M: Molding Type (射出成型)

XX: 01~99 Meter

01: 01 Meter

02: 02 Meter

...

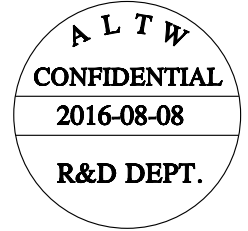
99: 99 Meter


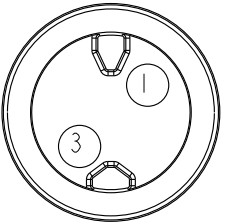
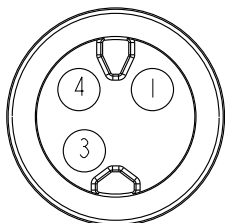
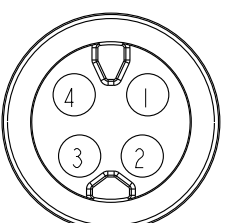
A: UL 2464 Cable

7: IP67 (防水等級 67)

L: Straight (180°)

R: Snap In With Latch (彈臂卡合式)



Pin Out	4 -- 3 Red 紅 2 -- 1 Black 黑	4 Green 綠 3 White 白  2 -- 1 Black 黑	4 Orange 橙 3 Red 紅 2 Brown 棕 1 Black 黑
Pin Assignments Front View	 2Pin	 3Pin	 4Pin

UNIT:mm  TOLERANCE ±0.5	TITLE MIDDLE CABLE RBL M CONN F PIN		Amphenol LTW 安費諾亮泰企業股份有限公司	ITEM NO	DRAWN BY Mafei	DATE 2016/08/08	
	SCALE 3:4	SIZE A4		SHEET 2 OF 2	DWG NO CB-XXAMFM-RL7AXX	CHECKED BY Joyy	DATE 2016/08/08
	REV. C	WC-REV. A.3		 : Inspection item	CUSTOMER ALTW	APPROVED BY Jerry	DATE 2016/08/08