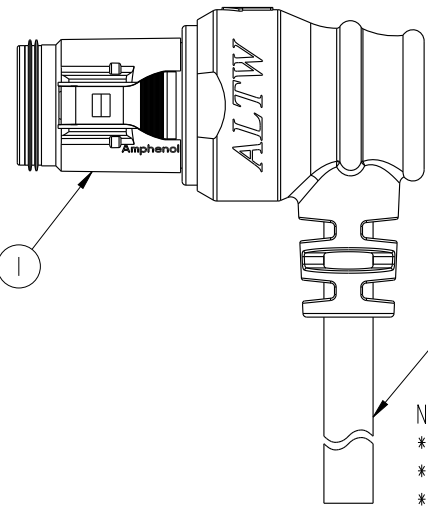
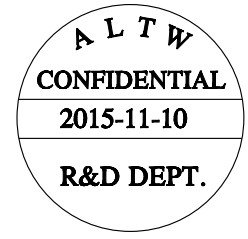
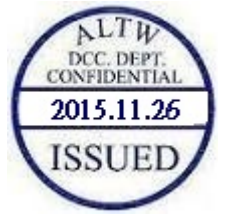
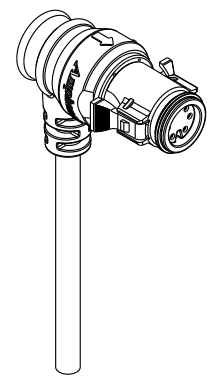
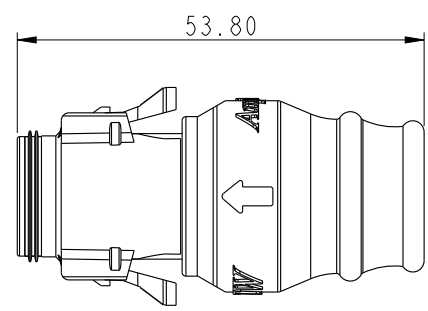
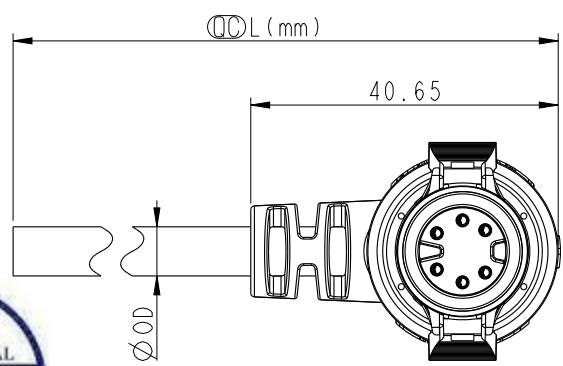


THIS DOCUMENT IS SUBJECT TO CHANGE WITHOUT NOTICE. IT IS CONFIDENTIAL AND A PROPERTY OF Amphenol LTW. DISCLOSURE TO THIRD PARTY HAS TO BE AUTHORIZED BY Amphenol LTW.

REV.	ECN NO.	DATE	SIGN	DESCRIPTION
B	LEN1580180~81	2015/08/10	Lu Di	Change To Common Drawing
C	LEN15B0396~400	2015/11/10	Joy	Add 7·8 And 9 Pin To The Common Drawing



CD-XXAMFM-RR7000  
Color:Black

- Note:
- \*  $\varnothing$  Important Dimension To Check.
  - \* Waterproof Rate: IP67
  - \* Housing: M-PPE, Black.
  - \* Female Pin: Copper Alloy, Gold Plated.
  - \* Gasket: Silicone, Gray.
  - \* Cable: UL2464 20#,PVC Jacket,UV Resistant,Black.
  - \* Cable Length Tolerance: 01M:±40mm  
02M~05M:±60mm  
06M~10M:±100mm  
11M~30M:±200mm  
31M~99M:±500mm

\* Prohibiting the use of place in oils



CD-02AMFM-RR7AXX	
CD-03AMFM-RR7AXX	Ø 5.5
CD-04AMFM-RR7AXX	
CD-05AMFM-RR7AXX	Ø 6.0
CD-06AMFM-RR7AXX	Ø 6.5
CD-07AMFM-RR7AXX	Ø 6.5
CD-08AMFM-RR7AXX	Ø 6.8
CD-09AMFM-RR7AXX	Ø 7.4
Part No.	Cable OD

<b>UNIT:mm</b>	
<b>TOLERANCE</b>	±0.5

TITLE MIDDLE CABLE RBL M CONN F PIN			
SCALE 1:1	SIZE A4	SHEET 1 OF 2	
REV. C	WC-REV. A.3	QC: Inspection item	

**Amphenol LTW**  
安費諾亮泰企業股份有限公司

ITEM NO.	DRAWN BY Joy	DATE 2015-11-10
DWG NO. CD-XXAMFM-RR7AXX	CHECKED BY Lu Di	DATE 2015-11-10
CUSTOMER ALTW	APPROVED BY Jerry	DATE 2015-11-10

THIS DOCUMENT IS SUBJECT TO CHANGE WITHOUT NOTICE. IT IS CONFIDENTIAL AND A PROPERTY OF Amphenol LTW. DISCLOSURE TO THIRD PARTY HAS TO BE AUTHORIZED BY Amphenol LTW.

**ALTW**  
CONFIDENTIAL  
2015-11-10  
R&D DEPT.

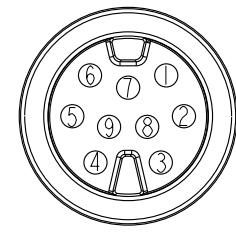
**ALTW**  
DCC. DEPT.  
CONFIDENTIAL  
2015.11.26  
ISSUED

CD-XXAMFM-RR7A XX

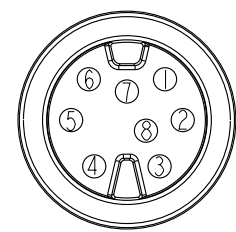
Middle Size Current Rating 5A  
 XX: No. Of Pin (Pin 數)  
 A: Cable With S/R (線端帶網尾)  
 M: Male Connector (公座)  
 F: Female Pin (母Pin)  
 M: Molding Type (射出成型)

XX: 01~99 Meter  
 01: 01 Meter  
 02: 02 Meter  
 :  
 :  
 99: 99 Meter  
 A: UL 2464 Cable  
 7: IP67 (防水等級 67)  
 R: Right Angle (90°)  
 R: Snap In With Latch (彈臂卡合式)

9	White	白	9	--	
8	Purple	紫	8	Purple	紫
7	Red	紅	7	Red	紅
6	Green	綠	6	Green	綠
5	Yellow	黃	5	Yellow	黃
4	Blue	藍	4	Blue	藍
3	Orange	橘	3	Orange	橘
2	Brown	棕	2	Brown	棕
1	Black	黑	1	Black	黑



9Pin



8Pin

Pin Out	4	--	4	Blue	藍	4	Blue	藍	6	Green	綠	6	Grey	灰	9	--	
	3	White	3	White	白	3	White	白	5	--		5	Yellow	黃	8	--	
	2	--	2	--		2	Brown	棕	4	Black	黑	4	Green	綠	7	Red	紅
	1	Black	1	Black	黑	1	Black	黑	3	Blue	藍	3	White	白	6	Green	綠
									2	White	白	2	Blue	藍	5	Yellow	黃
									1	Brown	棕	1	Brown	棕	4	Blue	藍
															3	Orange	橘
															2	Brown	棕
															1	Black	黑

Pin Assignments Front View						
	2Pin	3Pin	4Pin	5Pin	6Pin	7Pin

UNIT:mm TOLERANCE ±0.5	TITLE MIDDLE CABLE RBL M CONN F PIN		<h1 style="text-align: center;">Amphenol LTW</h1> <p style="text-align: center;">安費諾亮泰企業股份有限公司</p>		ITEM NO	DRAWN BY Joyy	DATE 2015-11-10
	SCALE 1:1	SIZE A4			SHEET 2 OF 2	DWG NO CD-XXAMFM-RR7AXX	CHECKED BY Lu Di
	REV. C	WC-REV. A.3	QC: Inspection item	CUSTOMER ALTW	APPROVED BY Jerry	DATE 2015-11-10	