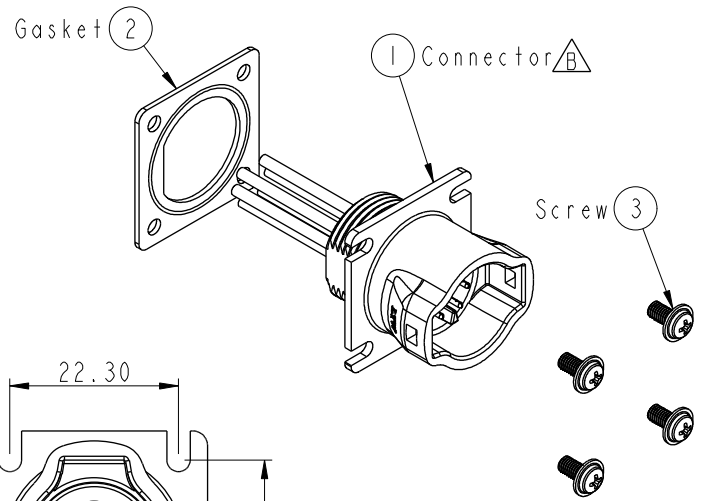
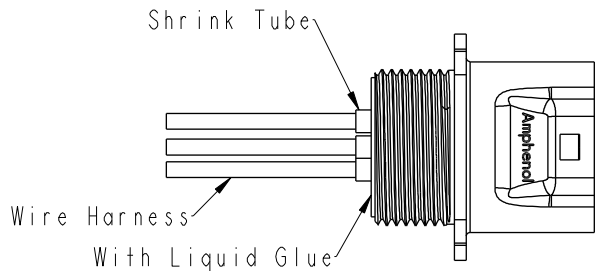
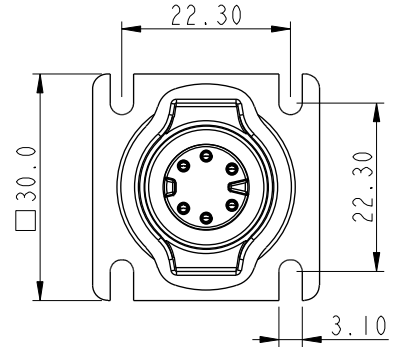
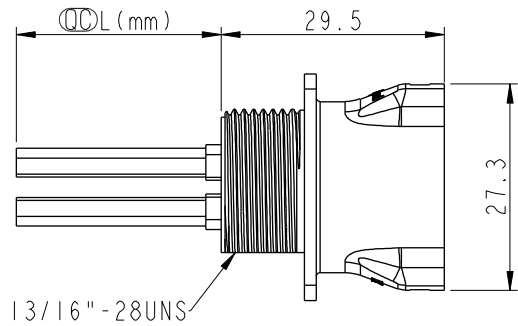


REV.	ECN NO.	DATE	SIGN	DESCRIPTION
B	LE315A0054~58	2015/09/22	Joyy	Update The Drawing
C	LEN15B0336~340	2015/11/10	Joyy	Add 7-8 And 9 Pin To The Common Drawing
D	CI91730	2019/10/08	Vicky	Update Code & Wire Tolerance



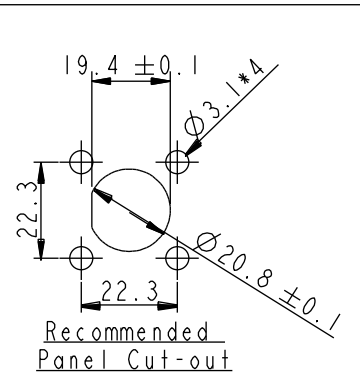
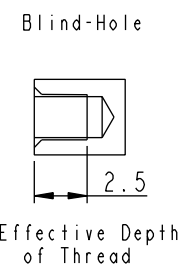
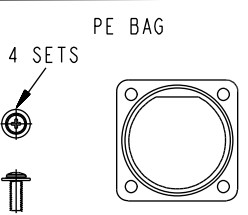
ALTW
 CONFIDENTIAL
 2019-10-08
 R&D DEPT.



Note:

- * \varnothing Important Dimension To Check.
- * Waterproof Rate: IP67
- * Housing: M-PPE, Black.
- * Male Pin: Copper Alloy, Gold Plated.
- * Gasket: Silicone, Gray.
- * Wire Harness: UL1430 20#
- * Blind holes for the screws used M3X0.5mm
- * Blind Hole Size M3X0.5mm
- * Screw Torque: 1.5~2kgf.cm
- * Wire harness Tolerance: 100 ±10mm
101~300 ±15mm
301~1000 ±20mm

* Prohibiting the use of place in oils



UNIT:mm	\varnothing	\varnothing
TOLERANCE	±0.5mm	

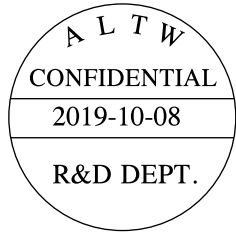
TITLE		
MIDDLE Panel RBL F CONN M PIN		
SCALE	SIZE	SHEET
1:1	A4	1 OF 2
REV.	WC-REV.	\varnothing : Inspection item
D	A.8	

Amphenol LTW
 安費諾亮泰企業股份有限公司

ITEM NO	DRAWN BY	DATE
	Joyy	2015-11-10
DWG NO	CHECKED BY	DATE
CD-XXRFMC-RS7BXX	Lu Di	2015-11-10
CUSTOMER	APPROVED BY	DATE
ALTW	Jerry	2015-11-10

THIS DOCUMENT IS SUBJECT TO CHANGE WITHOUT NOTICE. IT IS CONFIDENTIAL AND A PROPERTY OF Amphenol LTW. DISCLOSURE TO THIRD PARTY HAS TO BE AUTHORIZED BY Amphenol LTW.

THIS DOCUMENT IS SUBJECT TO CHANGE WITHOUT NOTICE. IT IS CONFIDENTIAL AND A PROPERTY OF Amphenol LTW. DISCLOSURE TO THIRD PARTY HAS TO BE AUTHORIZED BY Amphenol LTW.



CD-XXRFMC-RS7BXX

Middle Size Current Rating 5A

XX:No. Of Pin(Pin 數)

R:Panel Rear Mounting(後鎖嵌面板式)

F:Female Connector(母座)

M:Male Pin(公Pin)

C:CrimpType(夾線組裝式)

- 10 :100mm
- 15 :150mm
- 20 :200mm

△A0 :1000mm

Cable Pitch Unit:50mm
Wire Length(L):100~1000mm

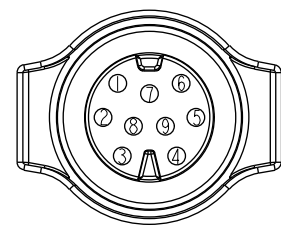
B: UL 1430

7:IP67(防水等級 67)

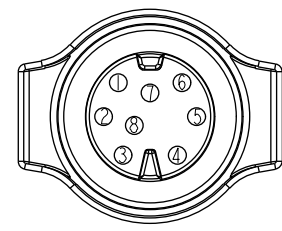
S:Square(方座)

R:Snap in With Latch(彈臂卡合式)

9	White	白	9	--	
8	Purple	紫	8	Purple	紫
7	Red	紅	7	Red	紅
6	Green	綠	6	Green	綠
5	Yellow	黃	5	Yellow	黃
4	Blue	藍	4	Blue	藍
3	Orange	橘	3	Orange	橘
2	Brown	棕	2	Brown	棕
1	Black	黑	1	Black	黑



9Pin



8Pin

Pin Out	4	--	4	Blue	藍	4	Blue	藍	6	Green	綠	6	Grey	灰	9	--	
	3	White	3	White	白	3	White	白	5	--		5	Yellow	黃	8	--	
	2	--	2	--		2	Brown	棕	4	Black	黑	4	Green	綠	7	Red	紅
	1	Black	1	Black	黑	1	Black	黑	3	Blue	藍	3	White	白	6	Green	綠
									2	White	白	2	Blue	藍	5	Yellow	黃
									1	Brown	棕	1	Brown	棕	4	Blue	藍
															3	Orange	橘
															2	Brown	棕
															1	Black	黑

Pin Assignments Front View						
	2Pin	3Pin	4Pin	5Pin	6Pin	7Pin

UNIT:mm		TITLE		MIDDLE	ITEM NO	DRAWN BY	DATE
		Panel RBL F CONN M PIN					
TOLERANCE	±0.5mm	SCALE	SIZE	SHEET	DWG NO	CHECKED BY	DATE
		1:1	A4	2 OF 2	CD-XXRFMC-RS7BXX	Lu Di	2015-11-10
REV.	D	WC-REV.	A.8	QC:Inspection item	CUSTOMER	APPROVED BY	DATE
					ALTW	Jerry	2015-11-10

Amphenol LTW
安費諾亮泰企業股份有限公司