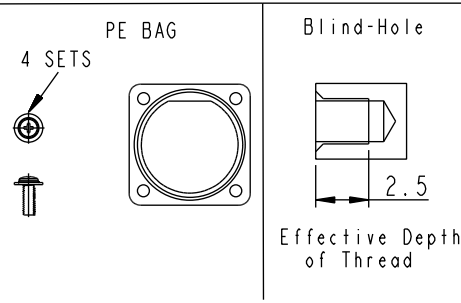
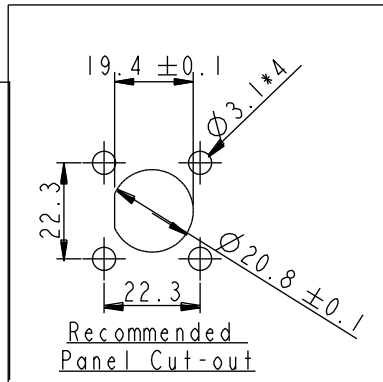
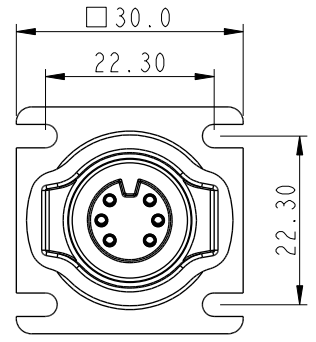
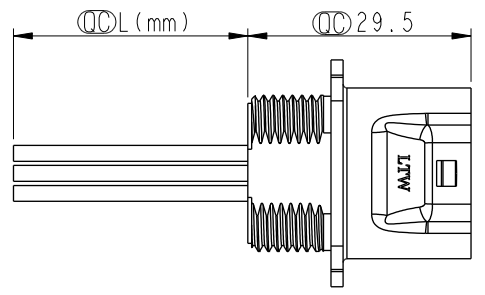
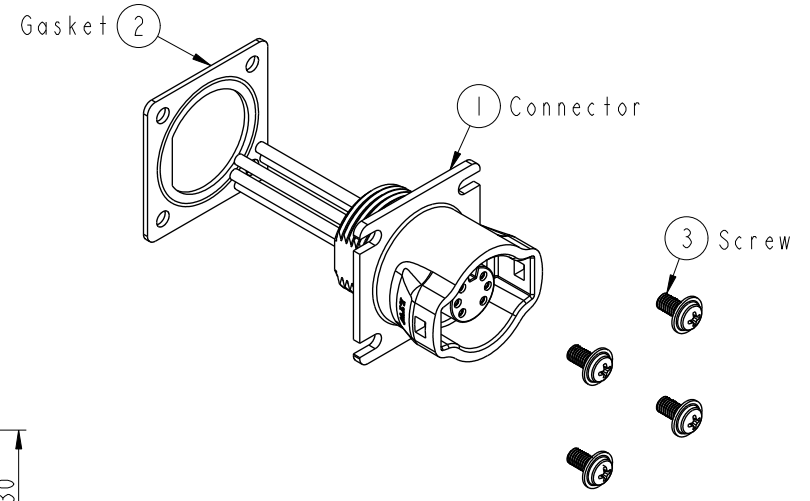
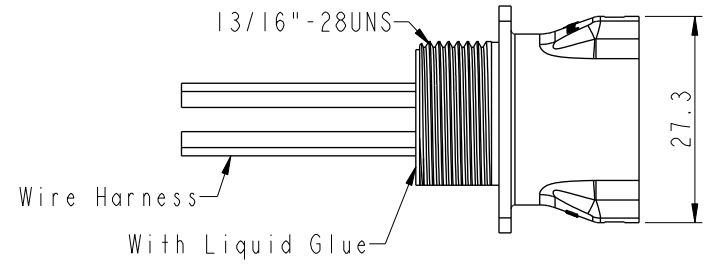


THIS DOCUMENT IS SUBJECT TO CHANGE WITHOUT NOTICE. IT IS CONFIDENTIAL AND A PROPERTY OF Amphenol LTW. DISCLOSURE TO THIRD PARTY HAS TO BE AUTHORIZED BY Amphenol LTW.

REV.	ECN NO.	DATE	SIGN	DESCRIPTION
A		2020/04/23	Ruru	Initial Released
B	C200691	2020/05/19	Ruru	XI

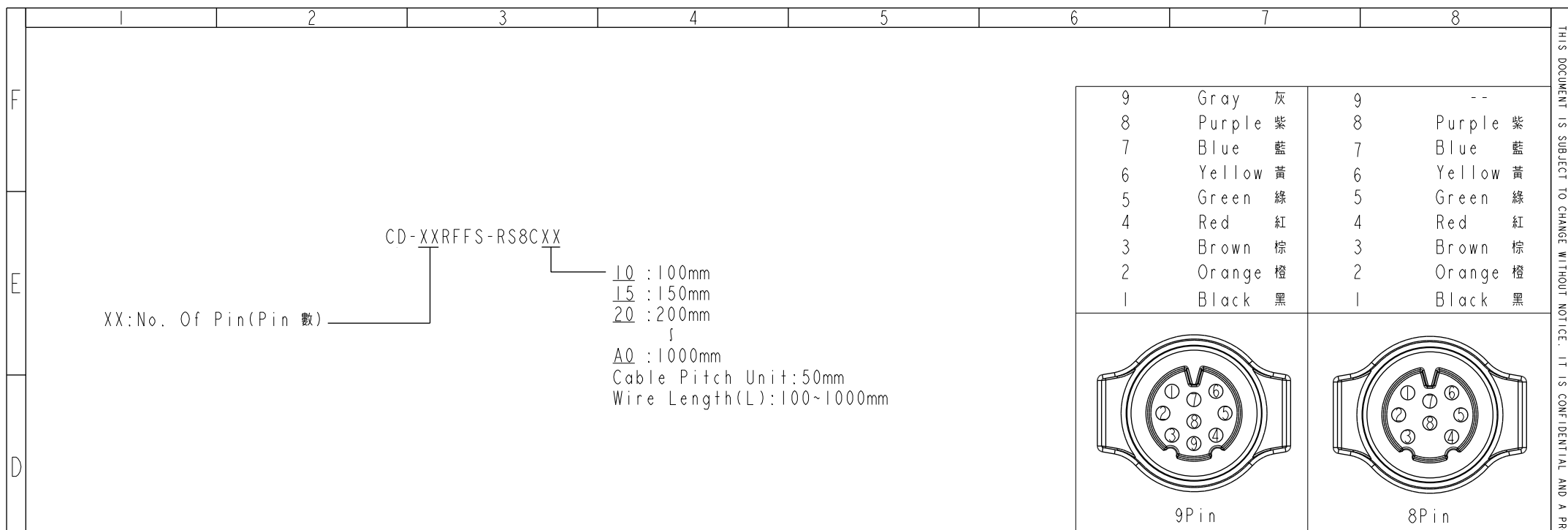


- Note:
- * \varnothing Important Dimension
 - * Waterproof Rate: IP68, Unmated
IP68:1M depth of water in 24 hours
 - * Connector: Thermoplastic, Black
 - * Female Pin: Copper Alloy, Gold Plated
 - * Gasket: Rubber, Gray
 - * Wire Harness: ULI430, 20AWG
 - * Blind holes for the screws used M3X0.5mm
 - * Blind Hole Size M3X0.5mm
 - * Wire harness Tolerance: 100 ± 10mm
101~300 ± 15mm
301~1000 ± 20mm
 - * Prohibiting the use of place in oils

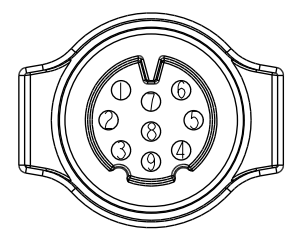
UNIT:mm		TITLE	RBL, C-5A, REAR FASTENED F, F, SOLDER, RBL		ITEM NO	DRAWN BY	DATE
TOLERANCE	±0.5mm	SCALE	1:1	SIZE A4	DWG NO	CHECKED BY	DATE
		REV.	B	WC-REV. A.1	CUSTOMER	APPROVED BY	DATE
				\varnothing : Inspection item	ALTW	Max	2020-04-23

Amphenol LTW
安費諾亮泰企業股份有限公司

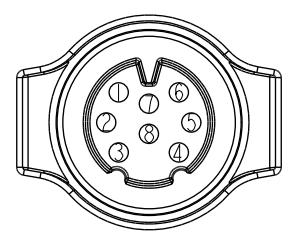
THIS DOCUMENT IS SUBJECT TO CHANGE WITHOUT NOTICE. IT IS CONFIDENTIAL AND A PROPERTY OF Amphenol LTW. DISCLOSURE TO THIRD PARTY HAS TO BE AUTHORIZED BY Amphenol LTW.



9	Gray	灰	9	--	
8	Purple	紫	8	Purple	紫
7	Blue	藍	7	Blue	藍
6	Yellow	黃	6	Yellow	黃
5	Green	綠	5	Green	綠
4	Red	紅	4	Red	紅
3	Brown	棕	3	Brown	棕
2	Orange	橙	2	Orange	橙
1	Black	黑	1	Black	黑



9Pin



8Pin

Pin Out	4	--	4	Red	紅	4	Red	紅	6	Yellow	黃	6	Yellow	黃	9	--		
	3	Brown	棕	3	Brown	棕	3	Brown	棕	5	--	5	Green	綠	8	--		
	2	--	2	--		2	Orange	橙	4	Red	紅	4	Red	紅	7	Blue	藍	
	1	Black	黑	1	Black	黑	1	Black	黑	3	Brown	棕	3	Brown	棕	6	Yellow	黃
Pin Assignments Front View	2Pin		3Pin		4Pin		5Pin		6Pin		7Pin		8Pin		9Pin			

UNIT:mm TOLERANCE ±0.5mm	TITLE RBL, C-5A, REAR FASTENED F, F, SOLDER, RBL		<h1>Amphenol LTW</h1> <p>安費諾亮泰企業股份有限公司</p>			ITEM NO	DRAWN BY Ruru	DATE 2020-04-23
	SCALE 1:1	SIZE A4				SHEET 2 OF 2	DWG NO CD-XXRFFS-RS8CXX	CHECKED BY Rita
	REV. B	WC-REV. A.1	QC: Inspection item	CUSTOMER ALTW	APPROVED BY Max	DATE 2020-04-23		