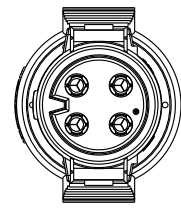
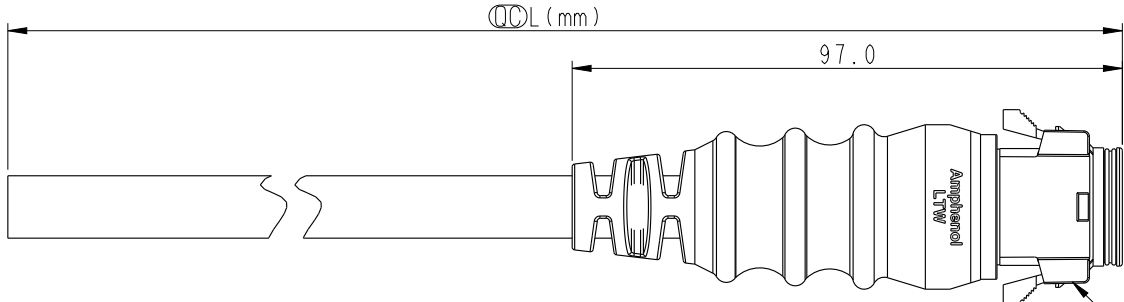
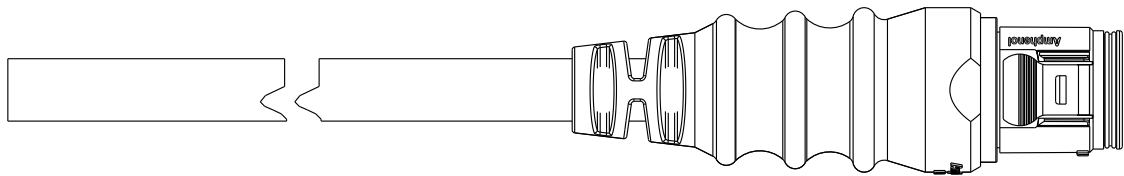


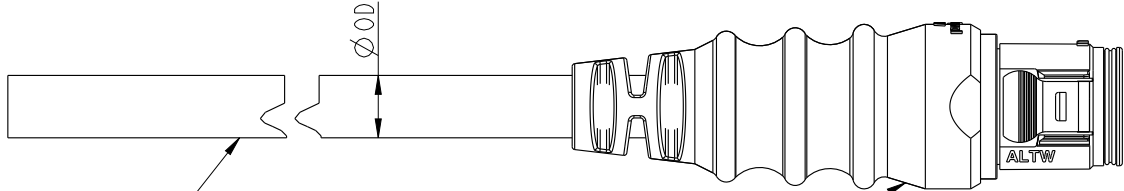
1	2	3	4	5	6	7	8
REV.	ECN NO.	DATE	SIGN	DESCRIPTION			

**ALTW**  
**CONFIDENTIAL**  
**2019-03-30**  
**R&D DEPT.**



① Connector

Conn



Cable ②

Outer Mold  
Color:Black

- Note:
- \*  $\varnothing$  Important Dimension To Check.
  - \* Waterproof Rate: IP68
  - \* Housing: M-PPE, Black.
  - \* Male Pin: Copper Alloy, Gold Plated.
  - \* Gasket: Silicone, Gray
  - \* Cable: SJTW 12#, PVC Jacket ,UV Resistant, Black.
  - \* Cable Length Tolerance: 01M:±40mm  
02M~05M:±60mm  
06M~10M:±100mm  
11M~30M:±200mm  
31M~99M:±500mm

\* Prohibiting the use of place in oils

DC-02AMMM-RL8EXX	∅ 10.7
DC-03AMMM-RL8EXX	∅ 11.7
DC-04AMMM-RL8EXX	∅ 12.3
Part No.	Cable OD

UNIT:mm		
TOLERANCE	±0.5	

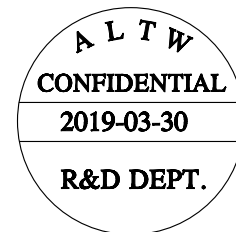
TITLE LARGE CABLE M CONN M PIN			
SCALE 3:4	SIZE A4	SHEET 1 OF 2	
REV. A	WC-REV. A.1	①: Inspection item	

**Amphenol LTW**  
**安費諾亮泰企業股份有限公司**

ITEM NO	DRAWN BY Peng	DATE 2019-03-30
DWG NO DC-XXAMMM-RL8EXX	CHECKED BY Mafei	DATE 2019-03-30
CUSTOMER ALTW	APPROVED BY Jerry	DATE 2019-03-30

THIS DOCUMENT IS SUBJECT TO CHANGE WITHOUT NOTICE. IT IS CONFIDENTIAL AND A PROPERTY OF Amphenol LTW. DISCLOSURE TO THIRD PARTY HAS TO BE AUTHORIZED BY Amphenol LTW.

THIS DOCUMENT IS SUBJECT TO CHANGE WITHOUT NOTICE. IT IS CONFIDENTIAL AND A PROPERTY OF Amphenol LTW. DISCLOSURE TO THIRD PARTY HAS TO BE AUTHORIZED BY Amphenol LTW.



DC-XXAMMM-RL8E XX

Large Size Current Rating 20A

XX:No. Of Pin(Pin 數)

A:Cable With S/R(線端帶網尾)

M:Male Connector(公座)

M:Male Pin(公Pin)

M:Molding Type(射出成型)

XX:01~99Meter

01:01Meter

02:02Meter

...

99:99Meter

E:SJTW Cable

8:IP68(防水等級 68)

L:Straight(180°)

R:Snap In With Latch(彈臂卡合式)

Pin Out	4	--	4	Green 綠	4	Green 綠
	3	White 白	3	White 白	3	White 白
	2	--	2	--	2	Red 紅
	1	Black 黑	1	Black 黑	1	Black 黑
Pin Assignments Front View						
	2Pin		3Pin		4Pin	

UNIT:mm

TOLERANCE ±0.5

TITLE LARGE CABLE M CONN M PIN

SCALE 3:4 SIZE A4 SHEET 2 OF 2

REV. A WC-REV. A.1 Inspection item

**Amphenol LTW**  
安費諾亮泰企業股份有限公司

ITEM NO	DRAWN BY Peng	DATE 2019-03-30
DWG NO DC-XXAMMM-RL8EXX	CHECKED BY Mafei	DATE 2019-03-30
CUSTOMER ALTW	APPROVED BY Jerry	DATE 2019-03-30