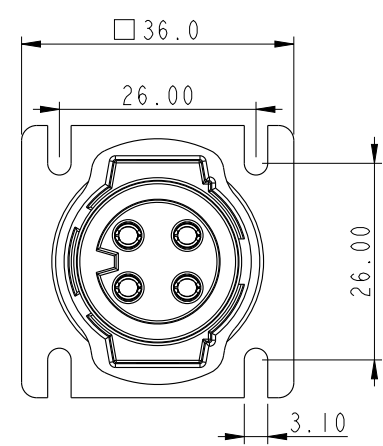
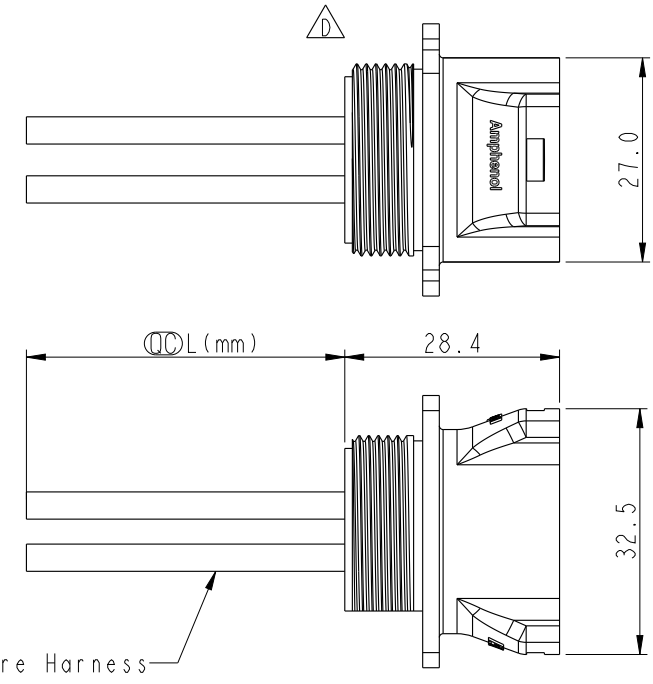
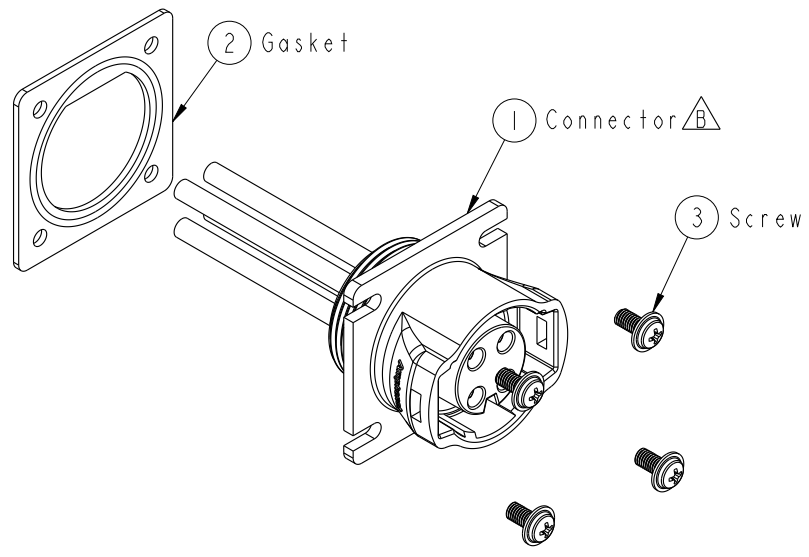


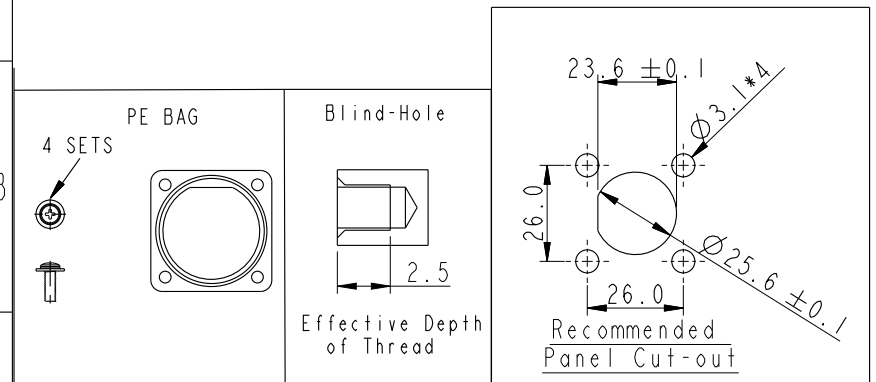
THIS DOCUMENT IS SUBJECT TO CHANGE WITHOUT NOTICE. IT IS CONFIDENTIAL AND A PROPERTY OF Amphenol LTW. DISCLOSURE TO THIRD PARTY HAS TO BE AUTHORIZED BY Amphenol LTW.

REV.	ECN NO.	DATE	SIGN	DESCRIPTION
B	LE315A0067~69	2015/09/23	Joyy	Update The Drawing
C	E191618	2019/09/12	Ruru	Update Code & Wire Tolerance
D	C200862	2020/06/16	Peng	$\triangle$ D XI



Wire Harness

- Note:
- \*  $\varnothing$  Important Dimension To Check.
  - \* Waterproof Rate: IP67
  - \* Housing: M-PPE, Black.
  - \* Female Pin: Copper Alloy, Gold Plated.
  - \* Gasket: Silicone, Gray.
  - \* Wire Harness: UL1015 12#
  - \* Blind holes for the screws used M3X0.5mm
  - \* Blind hole Size M3X0.5mm
  - \* Screw Torque: 1.5~2kgf.cm
  - \*  $\triangle$  Wire Harness Tolerance: 100mm  $\pm$ 10mm  
101~300mm  $\pm$ 15mm  
301~1000mm  $\pm$ 20mm
  - \* Prohibiting the use of place in oils



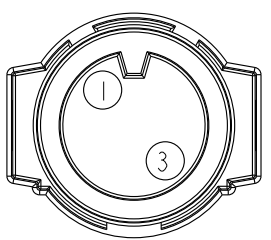
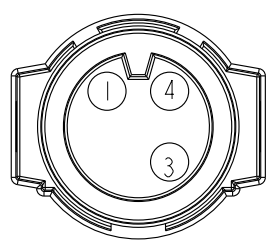
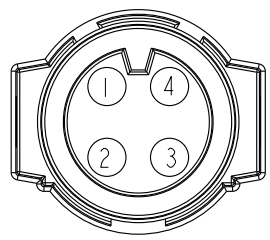
UNIT:mm	$\varnothing$	TITLE	LARGE PANEL RBL F CONN F PIN	
TOLERANCE $\pm$ 0.5		SCALE	3:4	SIZE A4
		REV.	D	WC-REV. A.6
				$\varnothing$ : Inspection item

**Amphenol LTW**  
安費諾亮泰企業股份有限公司

ITEM NO	DRAWN BY	DATE
	Ruru	2019-09-12
DWG NO	CHECKED BY	DATE
DC-XXRFFC-RSTAXX	Rita	2019-09-12
CUSTOMER	APPROVED BY	DATE
ALTW	Max	2019-09-12

DC-XXRFFC-RS7AXX

- Large Size Current Rating 20A
- XX:No. Of Pin(Pin 數)
- R:Panel Rear Mounting(後續嵌面板式)
- F:Female Connector(母座)
- F:Female Pin(母Pin)
- C: Crimp Type(壓線組裝式)
- 10:100mm
- 15:150mm
- 20:200mm
- A0:1000mm
- Cable Pitch Unit=50mm
- Wire Length (L):100~1000 mm
- A:UL 1015
- 7:IP67(防水等級 67)
- S:Square(方座)
- R:Snap In With Latch(彈臂卡合)

Pin Out	4 -- 3 White 白 2 -- 1 Black 黑	4 Green 綠 3 White 白 2 -- 1 Black 黑	4 Green 綠 3 White 白 2 Red 紅 1 Black 黑
Pin Assignments Front View	 2Pin	 3Pin	 4Pin

UNIT:mm  TOLERANCE ±0.5	TITLE LARGE PANEL RBL F CONN F PIN		<h1 style="margin: 0;">Amphenol LTW</h1> <p style="margin: 0;">安費諾亮泰企業股份有限公司</p>		ITEM NO DC-XXRFFC-RS7AXX	DRAWN BY Ruru	DATE 2019-09-12
	SCALE 3:4    SIZE A4    SHEET 2 OF 2		 Inspection item		CUSTOMER ALTW	CHECKED BY Rita	DATE 2019-09-12
	REV. D	WC-REV. A.6			APPROVED BY Max	DATE 2019-09-12	