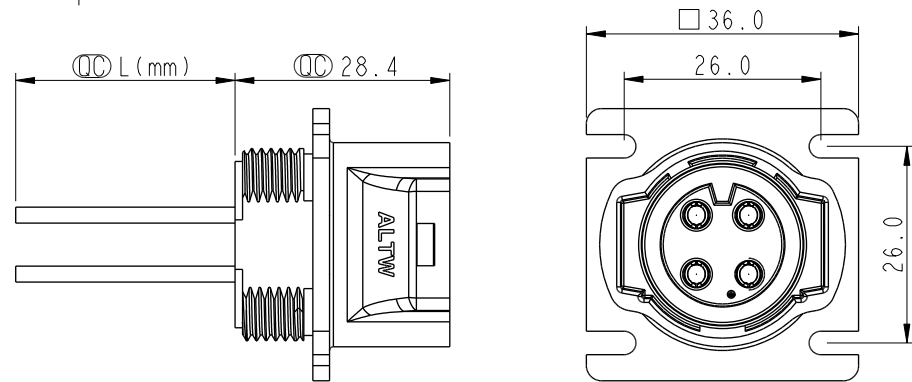
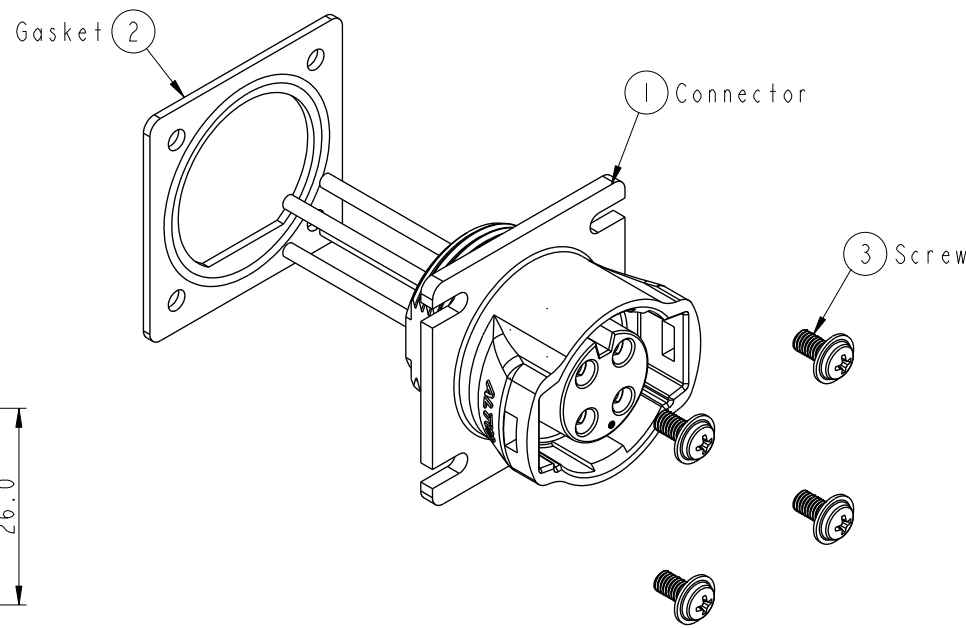
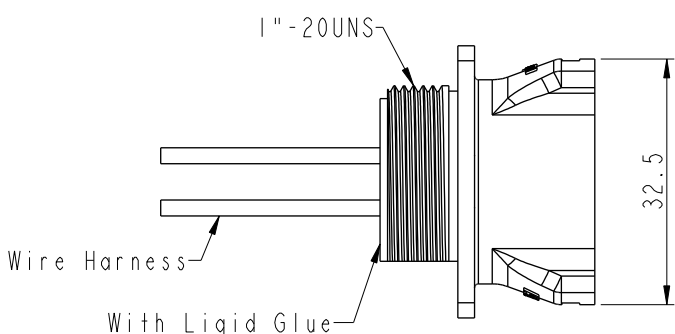


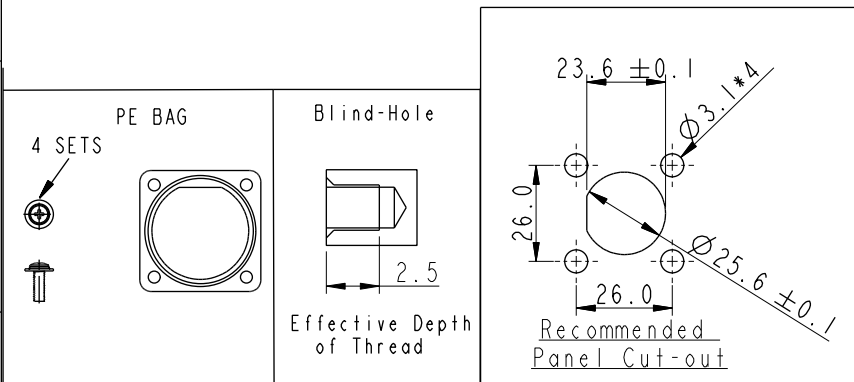
THIS DOCUMENT IS SUBJECT TO CHANGE WITHOUT NOTICE. IT IS CONFIDENTIAL AND A PROPERTY OF Amphenol LTW. DISCLOSURE TO THIRD PARTY HAS TO BE AUTHORIZED BY Amphenol LTW.

REV.	ECN NO.	DATE	SIGN	DESCRIPTION
A		2020/05/19	Vicky	Initial Released



Note:

- * ⌀ Important Dimension To Check.
- * Waterproof Rate: IP68, Unmated
IP68: 1M Depth of water in 24 hours
- * Connector: Thermoplastic, Black
- * Female Pin: Copper Alloy, Gold Plated.
- * Gasket: Rubber, Gray.
- * Wire Harness: UL1015, 12AWG
- * Blind holes for the screws used M3X0.5mm
- * Blind Hole Size M3X0.5mm
- * Wire harness Tolerance: 100mm ±10mm
101~300mm ±15mm
301~1000mm ±20mm
- * Prohibiting the use of place in oils



UNIT:mm		TITLE RBL, D-20A, REAR FASTENED F, F, SOLDER, RBL
TOLERANCE ±0.5mm		SCALE 1:1
		SIZE A4
		SHEET 1 OF 2
		REV. A
		WC-REV. A.1
		⌀: Inspection item

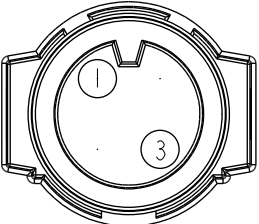
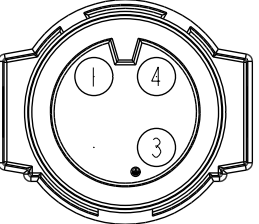
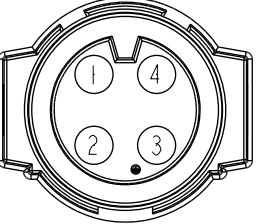
Amphenol LTW
安費諾亮泰企業股份有限公司

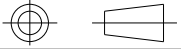
ITEM NO	DRAWN BY Vicky	DATE 2020-05-19
DWG NO DC-XXRFFS-RS8DXX	CHECKED BY Rita	DATE 2020-05-19
CUSTOMER ALTW	APPROVED BY Max	DATE 2020-05-19

DC-XXRFFS-RS8DXX

XX:No. Of Pin(Pin 數)

10:100mm
 15:150mm
 20:200mm
 5
 A0:1000mm
 Cable Pitch Unit=50mm
 Wire Length (L):100~1000 mm

Pin Out	4 -- 3 White 白 2 -- 1 Black 黑	4 Green 綠 3 White 白 2 -- 1 Black 黑	4 Green 綠 3 White 白 2 Red 紅 1 Black 黑
Pin Assignments Front View	 2Pin	 3Pin	 4Pin

UNIT:mm		TITLE	RBL, D-20A, REAR FASTENED F, F, SOLDER, RBL	
TOLERANCE	±0.5mm	SCALE	3:4	SIZE A4
		REV.	A	WC-REV. A.1
				SHEET 2 OF 2
				☉: Inspection item

Amphenol LTW
 安費諾亮泰企業股份有限公司

ITEM NO	DC-XXRFFS-RS8DXX	DRAWN BY	Vicky	DATE	2020-05-19
DWG NO	DC-XXRFFS-RS8DXX	CHECKED BY	Rita	DATE	2020-05-19
CUSTOMER	ALTW	APPROVED BY	Max	DATE	2020-05-19