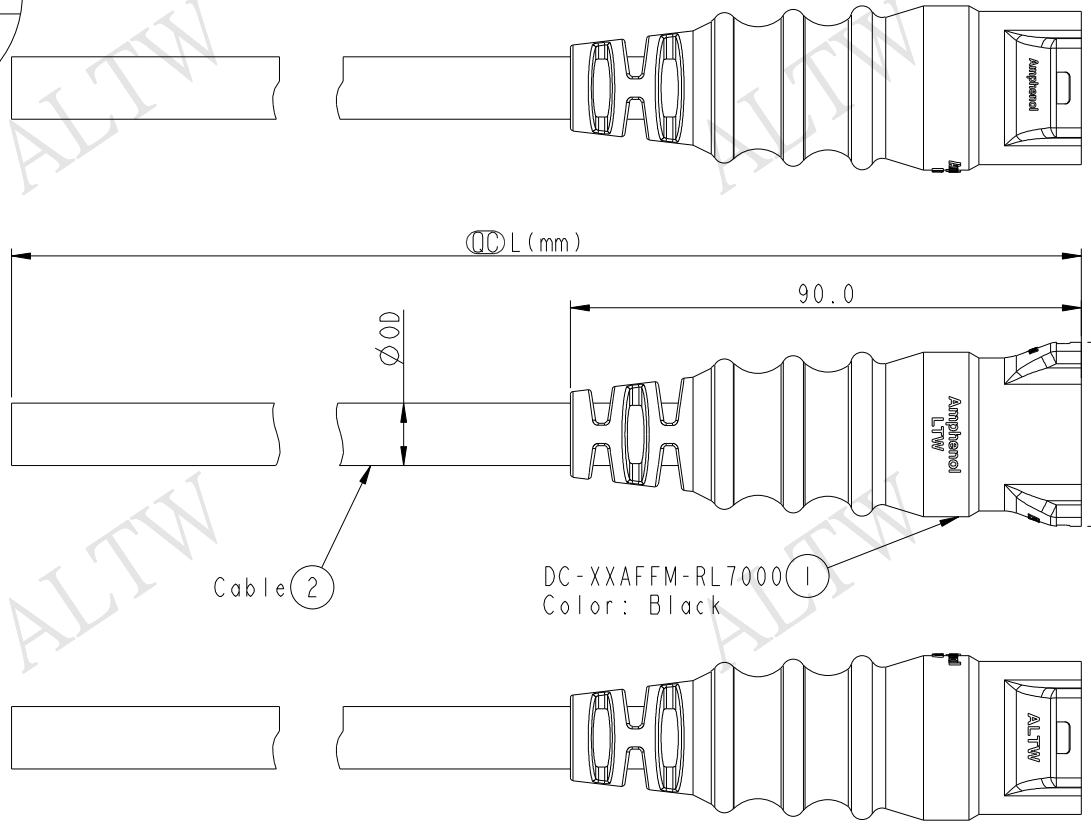


REV.	ECN NO.	DATE	SIGN	DESCRIPTION

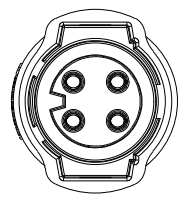
ALTW  
CONFIDENTIAL  
2015-07-26  
R&D DEPT.

ALTW  
DCC. DEPT.  
CONFIDENTIAL  
2015.08.13  
ISSUED



DC-XXAFFM-RL7000 (1)  
Color: Black

Cable (2)



Conn

- Note:
- \*  $\varnothing$  Important Dimension
  - \* Waterproof Rate: IP67
  - \* Housing: M-PPE, Black
  - \* Female Pin: Copper Alloy, Gold Plated
  - \* Cable: UL2464 12#, PVC Jacket, UV Resistant, Black
  - \* Cable Length Tolerance: 01M: ±40mm  
02M~05M: ±60mm  
06M~10M: ±100mm  
11M~30M: ±200mm  
31M~99M: ±500mm
  - \* Prohibiting the use of place in oils

DC-02AFFM-RL7AXX	Ø 9.5
DC-03AFFM-RL7AXX	Ø 10
DC-04AFFM-RL7AXX	Ø 11
Part No.	Cable OD

UNIT: mm		
TOLERANCE	±0.5	

TITLE LARGE CABLE F CONN F PIN			
SCALE 3:4	SIZE A4	SHEET 1 OF 2	
REV. A	WC-REV. A.5	$\varnothing$ : Inspection item	

**Amphenol LTW**  
安費諾亮泰企業股份有限公司

ITEM NO	DRAWN BY Lu Di	DATE 2015/07/26
DWG NO DC-XXAFFM-RL7AXX	CHECKED BY Joyy	DATE 2015/07/26
CUSTOMER ALTW	APPROVED BY Jerry	DATE 2015/07/26

THIS DOCUMENT IS SUBJECT TO CHANGE WITHOUT NOTICE. IT IS CONFIDENTIAL AND A PROPERTY OF Amphenol LTW. DISCLOSURE TO THIRD PARTY HAS TO BE AUTHORIZED BY Amphenol LTW.

THIS DOCUMENT IS SUBJECT TO CHANGE WITHOUT NOTICE. IT IS CONFIDENTIAL AND A PROPERTY OF AMPHENOL LTW. DISCLOSURE TO THIRD PARTY HAS TO BE AUTHORIZED BY AMPHENOL LTW.

1      2      3      4      5      6      7      8

F

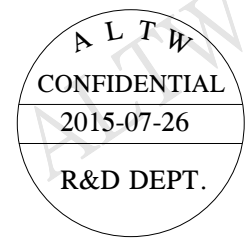
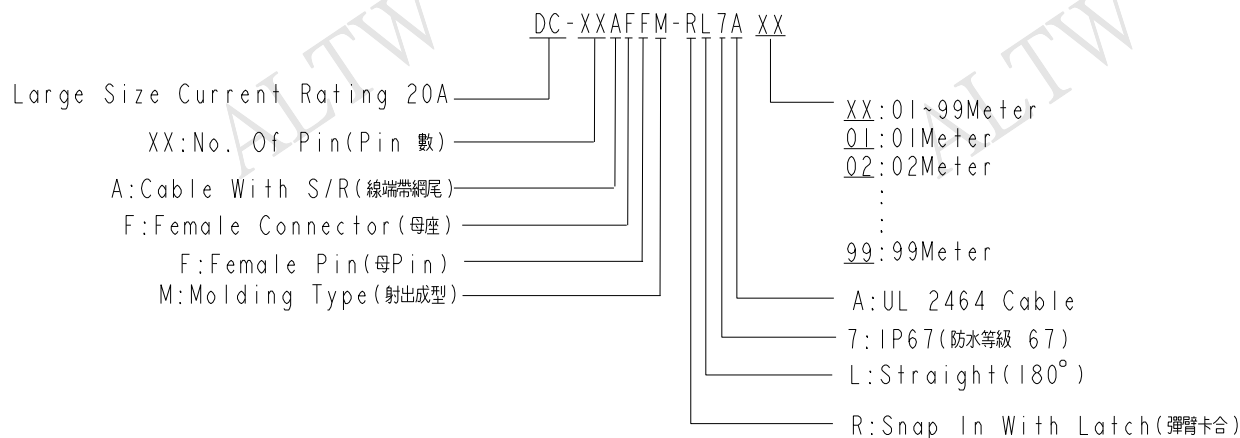
E

D

C

B

A



Pin Out	4	--	4	Green 綠	4	Green 綠
	3	White 白	3	White 白	3	White 白
	2	--	2	--	2	Red 紅
	1	Black 黑	1	Black 黑	1	Black 黑
Pin Assignments Front View						
	2Pin		3Pin		4Pin	

UNIT:mm TOLERANCE ±0.5	TITLE LARGE CABLE F CONN F PIN		Amphenol LTW 安費諾亮泰企業股份有限公司	ITEM NO	DRAWN BY Lu Di	DATE 2015/07/26
	SCALE 3:4	SIZE A4		SHEET 2 OF 2	DWG NO DC-XXAFFM-RL7AXX	CHECKED BY Joyy
REV. A	WC-REV. A.5	QC: Inspection item		CUSTOMER ALTW	APPROVED BY Jerry	DATE 2015/07/26

1      2      3      4      5      6      7      8      FMM10702-01-02A1