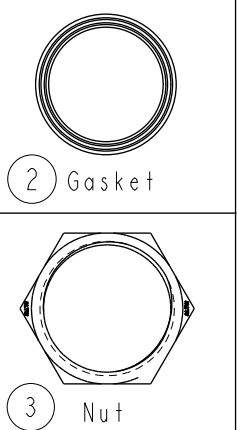
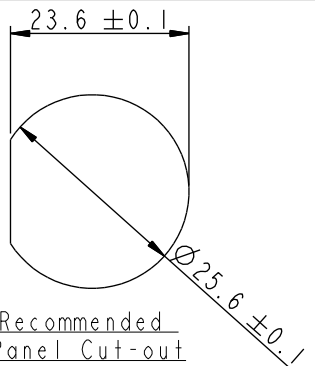
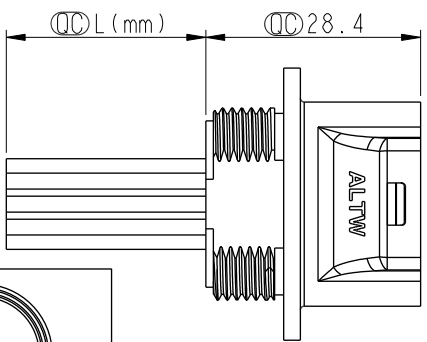
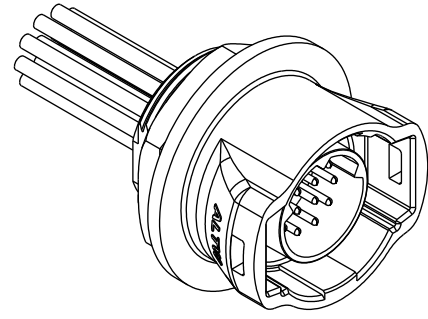
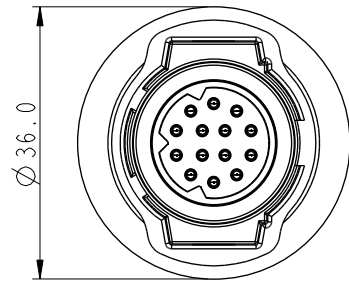
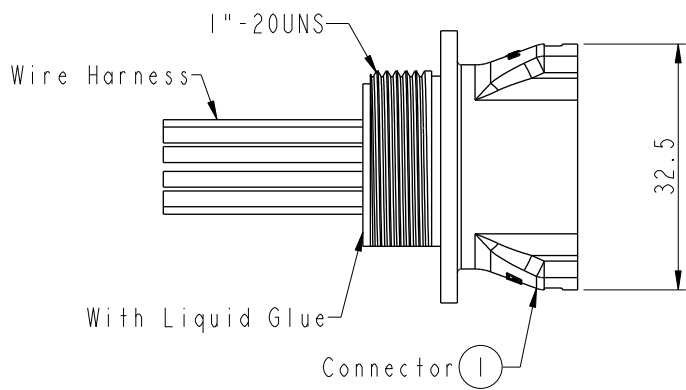


REV.	ECN NO.	DATE	SIGN	DESCRIPTION
A		2020/04/22	Ruru	Initial Released
B	C200693	2020/05/19	Ruru	$\triangle$ B XI



- $\triangle$  Note:
- \*  $\phi$  Important Dimension
  - \* Waterproof Rate: IP68, Unmated  
IP68: 1M depth of water in 24 hours
  - \* Connector: Thermoplastic, Black
  - \* Male Pin: Copper Alloy, Gold Plated
  - \* Gasket: Rubber, Black
  - \* Nut: Thermoplastic, Black
  - \* Wire Harness: UL1430, 20AWG
  - \* Panel Thickness Max: 5.0mm
  - \* Wire Harness Tolerance: 100mm  $\pm$  10mm  
101~300mm  $\pm$  15mm  
301~1000mm  $\pm$  20mm
  - \* Prohibiting the use of place in oils
  - \* The nut and gasket are packed separately

UNIT: mm

TOLERANCE  $\pm$  0.5

TITLE RBL, D-5A, REAR FASTENED F, M, SOLDER, RBL			
SCALE 1:1	SIZE A4	SHEET 1 OF 3	
REV. B	WC-REV. A.1	$\phi$ : Inspection item	

**Amphenol LTW**  
安費諾亮泰企業股份有限公司

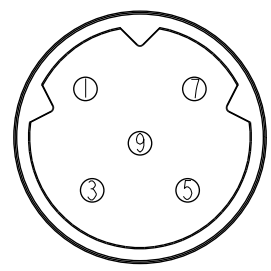
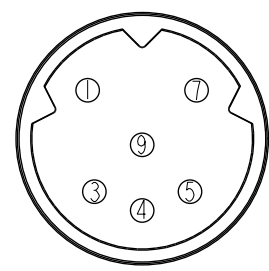
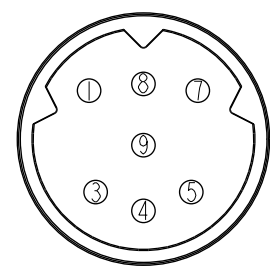
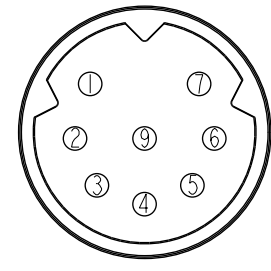
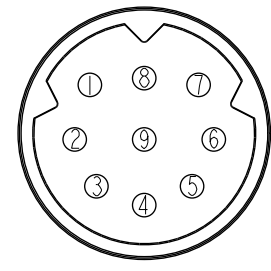
ITEM NO.	DRAWN BY Ruru	DATE 2020-04-22
DWG NO. DD-XXRFMS-RC8CXX	CHECKED BY Rita	DATE 2020-04-22
CUSTOMER ALTW	APPROVED BY Max	DATE 2020-04-22

THIS DOCUMENT IS SUBJECT TO CHANGE WITHOUT NOTICE. IT IS CONFIDENTIAL AND A PROPERTY OF Amphenol LTW. DISCLOSURE TO THIRD PARTY HAS TO BE AUTHORIZED BY Amphenol LTW.

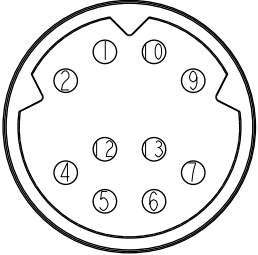
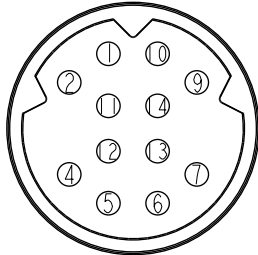
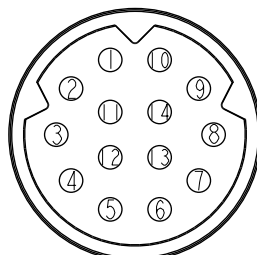
DD-XXRFMS-RC8CXX

XX:No. Of Pin(Pin 數)

10:100mm  
 15:150mm  
 20:200mm  
 ↓  
 A0:1000mm  
 Cable Pitch Unit=50mm  
 Wire Length (L):100~1000 mm

Pin Out	9	Yellow(黃)	9	Green(綠)	9	Blue(藍)	9	Purple(紫)	9	Gray(灰)
	8	--	8	--	8	Green(綠)	8	--	8	Purple(紫)
	7	Orange(橘)	7	Yellow(黃)	7	Yellow(黃)	7	Blue(藍)	7	Blue(藍)
	6	--	6	--	6	--	6	Green(綠)	6	Green(綠)
	5	Red(紅)	5	Orange(橘)	5	Orange(橘)	5	Yellow(黃)	5	Yellow(黃)
	4	--	4	Red(紅)	4	Red(紅)	4	Orange(橘)	4	Orange(橘)
	3	Brown(棕)	3	Brown(棕)	3	Brown(棕)	3	Red(紅)	3	Red(紅)
	2	--	2	--	2	--	2	Brown(棕)	2	Brown(棕)
	1	Black(黑)	1	Black(黑)	1	Black(黑)	1	Black(黑)	1	Black(黑)
Pin Assignments Front View										
	5Pin		6Pin		7Pin		8Pin		9Pin	

UNIT:mm TOLERANCE ±0.5	TITLE RBL, D-5A, REAR FASTENED F, M, SOLDER, RBL		<b>Amphenol LTW</b> 安費諾亮泰企業股份有限公司		ITEM NO	DRAWN BY Ruru	DATE 2020-04-22
	SCALE 1:1	SIZE A4			SHEET 2 OF 3	DWG NO DD-XXRFMS-RC8CXX	CHECKED BY Rita
	REV. B	WC-REV. A.1	QC: Inspection item	CUSTOMER ALTW	APPROVED BY Max	DATE 2020-04-22	

	1	2	3	4	5	6	7	8
F								
E								
D	Pin Out							
	14 --	14 Light Green(淺綠)	14 Brown/White(棕/白)					
	13 White(白)	13 Pink(粉紅)	13 Black/White(黑/白)					
	12 Gray(灰)	12 White(白)	12 Light Green(淺綠)					
	11 --	11 Gray(灰)	11 Pink(粉紅)					
	10 Purple(紫)	10 Purple(紫)	10 White(白)					
	9 Blue(藍)	9 Blue(藍)	9 Gray(灰)					
	8 --	8 --	8 Purple(紫)					
	7 Green(綠)	7 Green(綠)	7 Blue(藍)					
	6 Yellow(黃)	6 Yellow(黃)	6 Green(綠)					
	5 Orange(橘)	5 Orange(橘)	5 Yellow(黃)					
	4 Red(紅)	4 Red(紅)	4 Orange(橘)					
	3 --	3 --	3 Red(紅)					
	2 Brown(棕)	2 Brown(棕)	2 Brown(棕)					
	1 Black(黑)	1 Black(黑)	1 Black(黑)					
C								
B	Pin Assignments Front View							
								
	10Pin	12Pin	14Pin					
A								
	UNIT:mm	TITLE RBL, D-5A, REAR FASTENED F, M, SOLDER, RBL		<b>Amphenol LTW</b>		ITEM NO	DRAWN BY	DATE
	TOLERANCE ±0.5	SCALE 1:1	SIZE A4	SHEET 3 OF 3	<b>安費諾亮泰企業股份有限公司</b>		Ruru	2020-04-22
		REV. B	WC-REV. A.1	☉: Inspection item	DWG NO	CHECKED BY	Rita	2020-04-22
					CUSTOMER	APPROVED BY	Max	2020-04-22
					ALTW			
	1	2	3	4	5	6	7	8