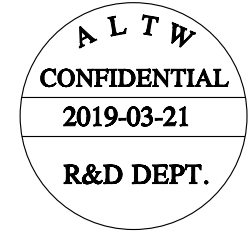
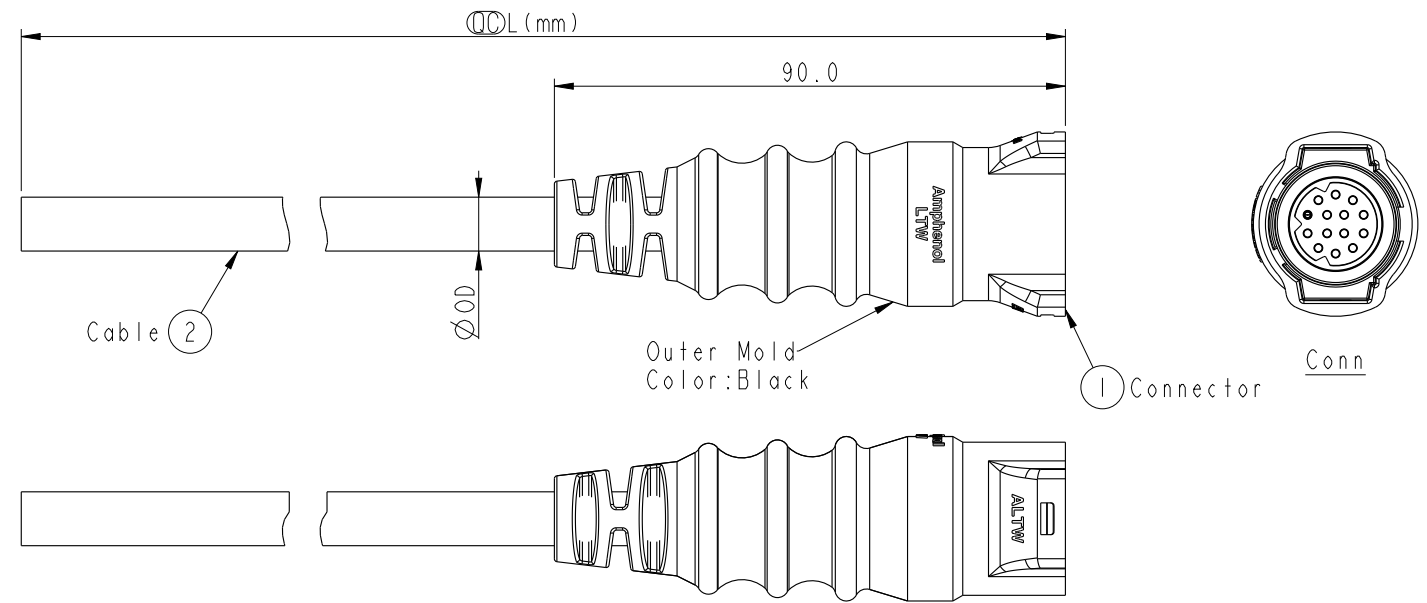


THIS DOCUMENT IS SUBJECT TO CHANGE WITHOUT NOTICE. IT IS CONFIDENTIAL AND A PROPERTY OF Amphenol LTW. DISCLOSURE TO THIRD PARTY HAS TO BE AUTHORIZED BY Amphenol LTW.

REV.	ECN NO.	DATE	SIGN	DESCRIPTION



Note:

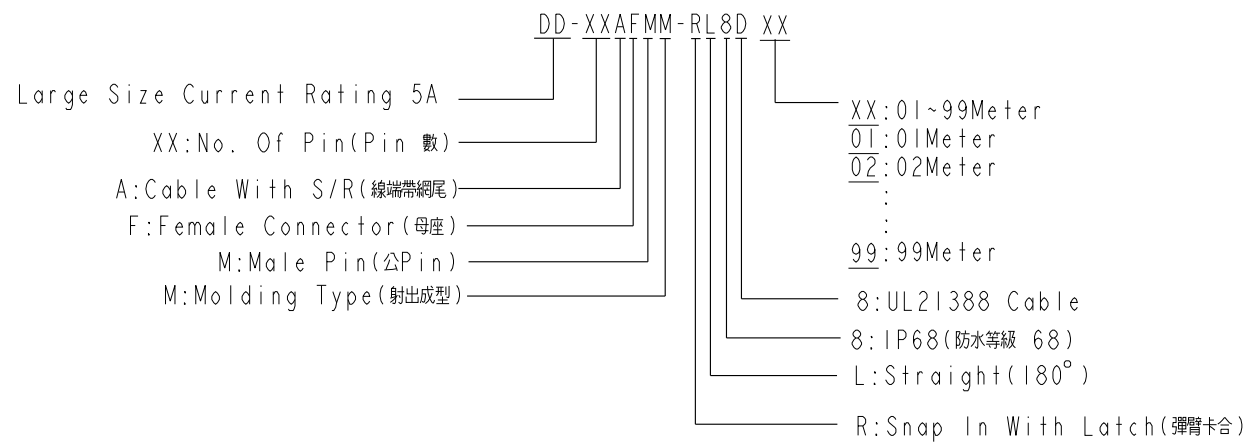
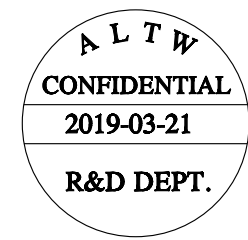
- \*  $\text{⊘}$  Important Dimension
- \* Waterproof Rate: IP68
- \* Housing: M-PPE, Black
- \* Male Pin: Copper Alloy, Gold Plated
- \* Cable: UL21388 20#, PVC Jacket, UV Resistant, Black
- \* Cable Length Tolerance: 01M:±40mm  
02M~05M:±60mm  
06M~10M:±100mm  
11M~30M:±200mm  
31M~99M:±500mm
- \* Prohibiting the use of place in oils

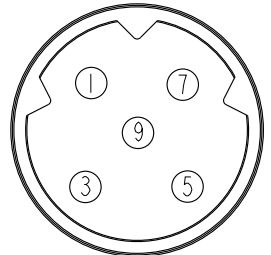
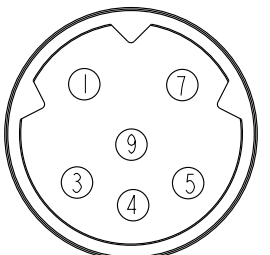
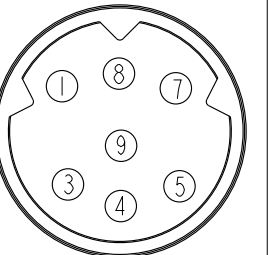
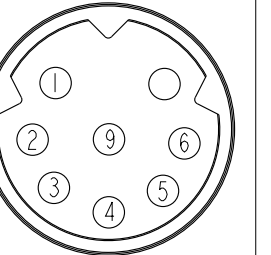
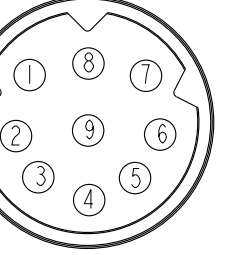
DD-05AFMM-RL8DXX	Ø 6.2
DD-06AFMM-RL8DXX	Ø 6.8
DD-07AFMM-RL8DXX	Ø 6.8
DD-08AFMM-RL8DXX	Ø 7.2
DD-09AFMM-RL8DXX	Ø 7.6
DD-10AFMM-RL8DXX	Ø 8.5
DD-12AFMM-RL8DXX	
DD-14AFMM-RL8DXX	
Part No.	Cable OD

UNIT: mm		TITLE LARGE CABLE RBL F CONN M PIN
TOLERANCE ±0.5	SCALE 3:4	SIZE A4
REV. A	WC-REV. A.1	SHEET 1 OF 3
Inspection item		

<b>Amphenol LTW</b> 安費諾亮泰企業股份有限公司		ITEM NO.	DRAWN BY Peng	DATE 2019-03-21
		DWG NO. DD-XXAFMM-RL8DXX	CHECKED BY Mafei	DATE 2019-03-21
		CUSTOMER ALTW	APPROVED BY Jerry	DATE 2019-03-21

THIS DOCUMENT IS SUBJECT TO CHANGE WITHOUT NOTICE. IT IS CONFIDENTIAL AND A PROPERTY OF Amphenol LTW. DISCLOSURE TO THIRD PARTY HAS TO BE AUTHORIZED BY Amphenol LTW.



Pin Out	9	Yellow(黃)	9	Green(綠)	9	Blue(藍)	9	Purple(紫)	9	Gray(灰)
	8	--	8	--	8	Green(綠)	8	--	8	Purple(紫)
	7	Orange(橘)	7	Yellow(黃)	7	Yellow(黃)	7	Blue(藍)	7	Blue(藍)
	6	--	6	--	6	--	6	Green(綠)	6	Green(綠)
	5	Red(紅)	5	Orange(橘)	5	Orange(橘)	5	Yellow(黃)	5	Yellow(黃)
	4	--	4	Red(紅)	4	Red(紅)	4	Orange(橘)	4	Orange(橘)
	3	Brown(棕)	3	Brown(棕)	3	Brown(棕)	3	Red(紅)	3	Red(紅)
	2	--	2	--	2	--	2	Brown(棕)	2	Brown(棕)
	1	Black(黑)	1	Black(黑)	1	Black(黑)	1	Black(黑)	1	Black(黑)
	Pin Assignments Front View									
5Pin		6Pin		7Pin		8Pin		9Pin		

UNIT:mm		TITLE LARGE CABLE RBL F CONN M PIN			<b>Amphenol LTW</b> 安費諾亮泰企業股份有限公司	ITEM NO	DRAWN BY Peng	DATE 2019-03-21		
		TOLERANCE ±0.5				SCALE 3:4	SIZE A4	SHEET 2 OF 3	CHECKED BY Mafei	DATE 2019-03-21
		REV. A	WC-REV. A.1	 : Inspection item		CUSTOMER ALTW	APPROVED BY Jerry	DATE 2019-03-21		

THIS DOCUMENT IS SUBJECT TO CHANGE WITHOUT NOTICE. IT IS CONFIDENTIAL AND A PROPERTY OF AMPHENOL LTW. DISCLOSURE TO THIRD PARTY HAS TO BE AUTHORIZED BY AMPHENOL LTW.

1 2 3 4 5 6 7 8

F

E

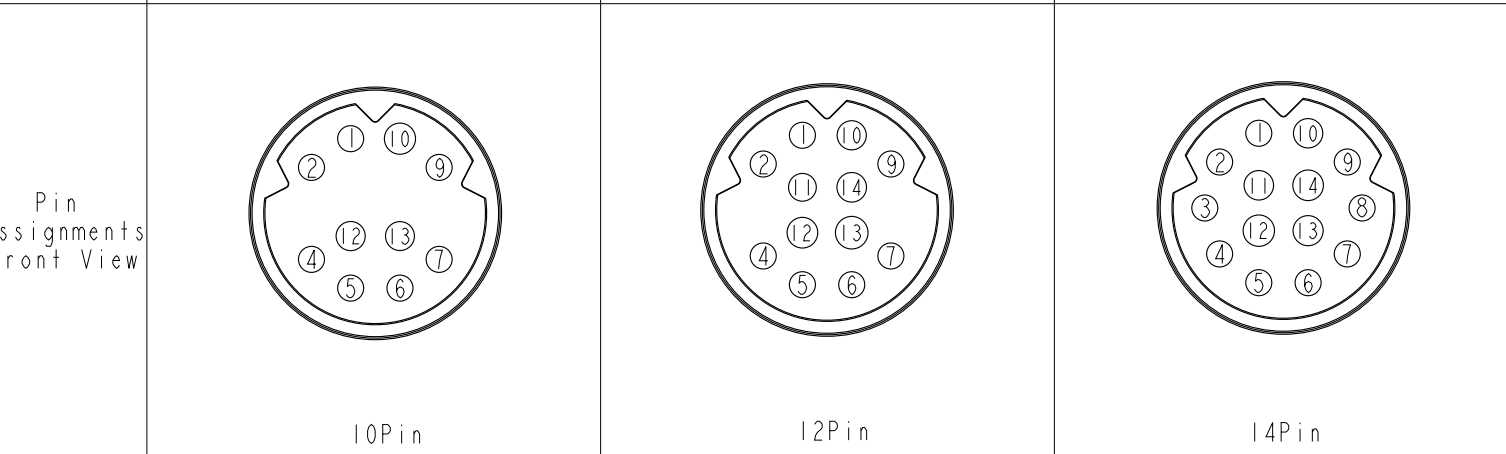
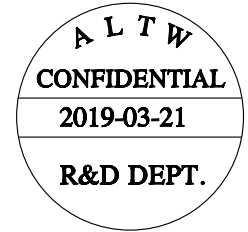
D

C

B

A

Pin Out	14	--	14	Light Green(淺綠)	14	Brown/White(棕/白)
	13	White(白)	13	Pink(粉紅)	13	Black/White(黑/白)
	12	Gray(灰)	12	White(白)	12	Light Green(淺綠)
	11	--	11	Gray(灰)	11	Pink(粉紅)
	10	Purple(紫)	10	Purple(紫)	10	White(白)
	9	Blue(藍)	9	Blue(藍)	9	Gray(灰)
	8	--	8	--	8	Purple(紫)
	7	Green(綠)	7	Green(綠)	7	Blue(藍)
	6	Yellow(黃)	6	Yellow(黃)	6	Green(綠)
	5	Orange(橘)	5	Orange(橘)	5	Yellow(黃)
	4	Red(紅)	4	Red(紅)	4	Orange(橘)
	3	--	3	--	3	Red(紅)
	2	Brown(棕)	2	Brown(棕)	2	Brown(棕)
	1	Black(黑)	1	Black(黑)	1	Black(黑)



UNIT:mm  TOLERANCE $\pm 0.5$	TITLE <b>LARGE CABLE RBL F CONN M PIN</b>			<b>Amphenol LTW</b> <b>安費諾亮泰企業股份有限公司</b>		ITEM NO	DRAWN BY	DATE
	SCALE 3:4	SIZE A4	SHEET 3 OF 3	DWG NO DD-XXAFMM-RL8DXX	CHECKED BY Mafei	CUSTOMER ALTW	Peng	2019-03-21
	REV. A	WC-REV. A.1	QC: Inspection item		APPROVED BY Jerry			2019-03-21

1 2 3 4 5 6 7 8 W10814-03-2001A2