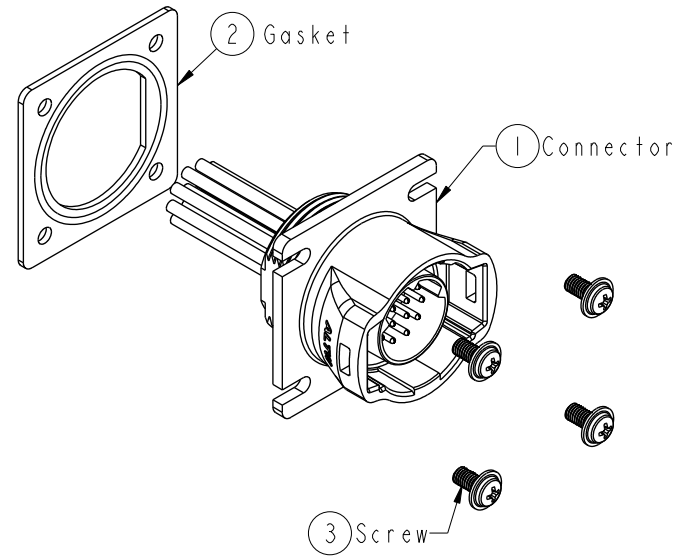
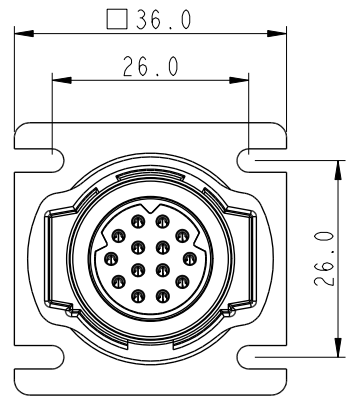
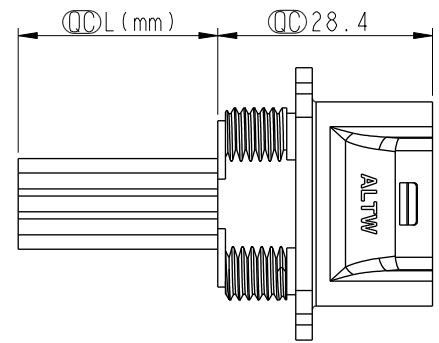
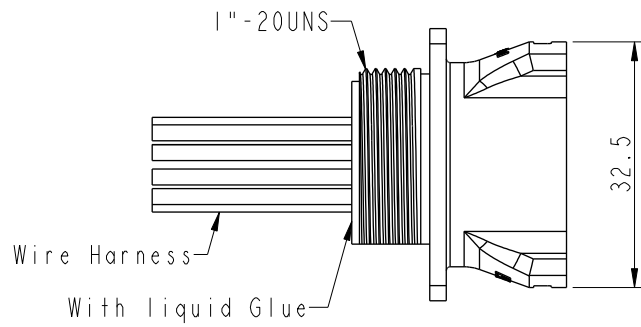
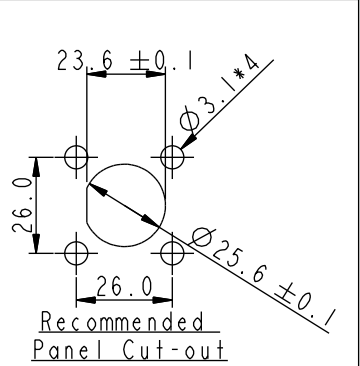
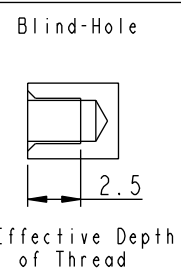
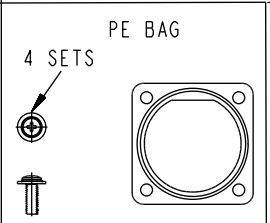


REV.	ECN NO.	DATE	SIGN	DESCRIPTION
A		2020/04/21	Ruru	Initial Released
B	C200693	2020/05/19	Ruru	\triangle XI



- \triangle Note:
- * \varnothing Important Dimension
 - * Waterproof Rate: IP68, Unmated
IP68: 1M depth of water in 24 hours
 - * Connector: Thermoplastic, Black
 - * Male Pin: Copper Alloy, Gold Plated
 - * Gasket: Rubber, Gray
 - * Wire Harness: ULI430, 20AWG
 - * Blind holes for the screws used M3X0.5mm
 - * Blind Hole Size M3X0.5mm
 - * Wire Harness Tolerance: 100mm \pm 10mm
101~300mm \pm 15mm
301~1000mm \pm 20mm
 - * Prohibiting the use of place in oils



UNIT:mm	\varnothing	\varnothing
TOLERANCE	\pm 0.5	

TITLE RBL, D-5A, REAR FASTENED F, M, SOLDER, RBL		
SCALE 3:4	SIZE A4	SHEET 1 OF 3
REV. B	WC-REV. A.1	\varnothing : Inspection item

Amphenol LTW
安費諾亮泰企業股份有限公司

ITEM NO.	DRAWN BY Ruru	DATE 2020-04-21
DWG NO. DD-XXRFMS-RS8CXX	CHECKED BY Rita	DATE 2020-04-21
CUSTOMER ALTW	APPROVED BY Max	DATE 2020-04-21

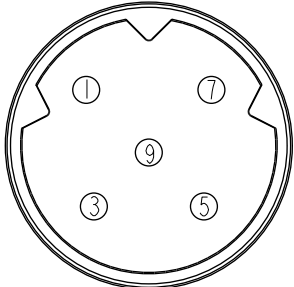
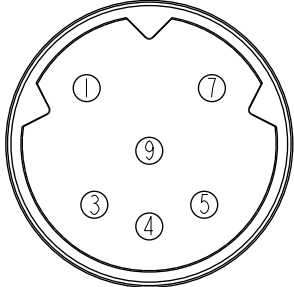
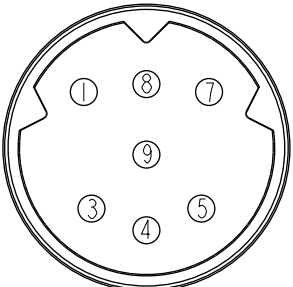
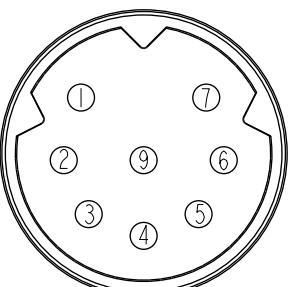
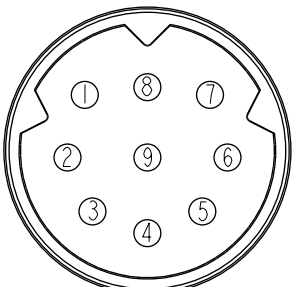
THIS DOCUMENT IS SUBJECT TO CHANGE WITHOUT NOTICE. IT IS CONFIDENTIAL AND A PROPERTY OF Amphenol LTW. DISCLOSURE TO THIRD PARTY HAS TO BE AUTHORIZED BY Amphenol LTW.

THIS DOCUMENT IS SUBJECT TO CHANGE WITHOUT NOTICE. IT IS CONFIDENTIAL AND A PROPERTY OF Amphenol LTW. DISCLOSURE TO THIRD PARTY HAS TO BE AUTHORIZED BY Amphenol LTW.

DD-XXRFMS-RS8CXX

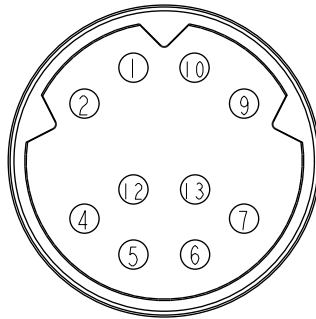
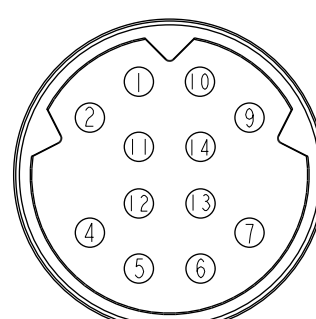
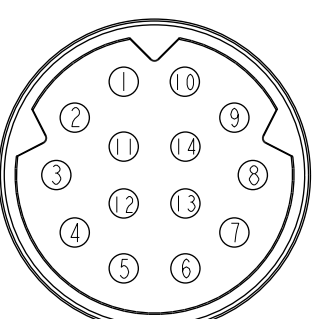

XX:No. Of Pin(Pin 數)

10:100mm
 15:150mm
 20:200mm
 }
 A0:1000mm
 Cable Pitch Unit=50mm
 Wire Length (L):100~1000 mm

Pin Out	9 Yellow(黃)	9 Green(綠)	9 Blue(藍)	9 Purple(紫)	9 Gray(灰)
	8 --	8 --	8 Green(綠)	8 --	8 Purple(紫)
	7 Orange(橘)	7 Yellow(黃)	7 Yellow(黃)	7 Blue(藍)	7 Blue(藍)
	6 --	6 --	6 --	6 Green(綠)	6 Green(綠)
	5 Red(紅)	5 Orange(橘)	5 Orange(橘)	5 Yellow(黃)	5 Yellow(黃)
	4 --	4 Red(紅)	4 Red(紅)	4 Orange(橘)	4 Orange(橘)
	3 Brown(棕)	3 Brown(棕)	3 Brown(棕)	3 Red(紅)	3 Red(紅)
	2 --	2 --	2 --	2 Brown(棕)	2 Brown(棕)
	1 Black(黑)	1 Black(黑)	1 Black(黑)	1 Black(黑)	1 Black(黑)
Pin Assignments Front View					
	5Pin	6Pin	7Pin	8Pin	9Pin

UNIT:mm TOLERANCE ±0.5	TITLE RBL, D-5A, REAR FASTENED F, M, SOLDER, RBL		<h1>Amphenol LTW</h1> <p>安費諾亮泰企業股份有限公司</p>	ITEM NO	DRAWN BY Ruru	DATE 2020-04-21	
	SCALE 3:4	SIZE A4		SHEET 2 OF 3	DWG NO DD-XXRFMS-RS8CXX	CHECKED BY Rita	DATE 2020-04-21
	REV. B	WC-REV. A.1		QC: Inspection item	CUSTOMER ALTW	APPROVED BY Max	DATE 2020-04-21

THIS DOCUMENT IS SUBJECT TO CHANGE WITHOUT NOTICE. IT IS CONFIDENTIAL AND A PROPERTY OF Amphenol LTW. DISCLOSURE TO THIRD PARTY HAS TO BE AUTHORIZED BY Amphenol LTW.

F							
E							
D	Pin Out	14 -- 13 White(白) 12 Gray(灰) 11 -- 10 Purple(紫) 9 Blue(藍) 8 -- 7 Green(綠) 6 Yellow(黃) 5 Orange(橘) 4 Red(紅) 3 -- 2 Brown(棕) 1 Black(黑)	14 Light Green(淺綠) 13 Pink(粉紅) 12 White(白) 11 Gray(灰) 10 Purple(紫) 9 Blue(藍) 8 -- 7 Green(綠) 6 Yellow(黃) 5 Orange(橘) 4 Red(紅) 3 -- 2 Brown(棕) 1 Black(黑)	14 Brown/White(棕/白) 13 Black/White(黑/白) 12 Light Green(淺綠) 11 Pink(粉紅) 10 White(白) 9 Gray(灰) 8 Purple(紫) 7 Blue(藍) 6 Green(綠) 5 Yellow(黃) 4 Orange(橘) 3 Red(紅) 2 Brown(棕) 1 Black(黑)			
C							
B	Pin Assignments Front View	 <p>10Pin</p>	 <p>12Pin</p>	 <p>14Pin</p>			
A	UNIT:mm  TOLERANCE ±0.5	TITLE RBL, D-5A, REAR FASTENED F, M, SOLDER, RBL	Amphenol LTW 安費諾亮泰企業股份有限公司		ITEM NO DD-XXRFMS-RS8CXX	DRAWN BY Ruru CHECKED BY Rita APPROVED BY Max	DATE 2020-04-21 DATE 2020-04-21 DATE 2020-04-21
		SCALE 3:4 REV. B	SIZE A4 WC-REV. A.1	SHEET 3 OF 3 Inspection item	CUSTOMER ALTW		8 W10814-03-001A2