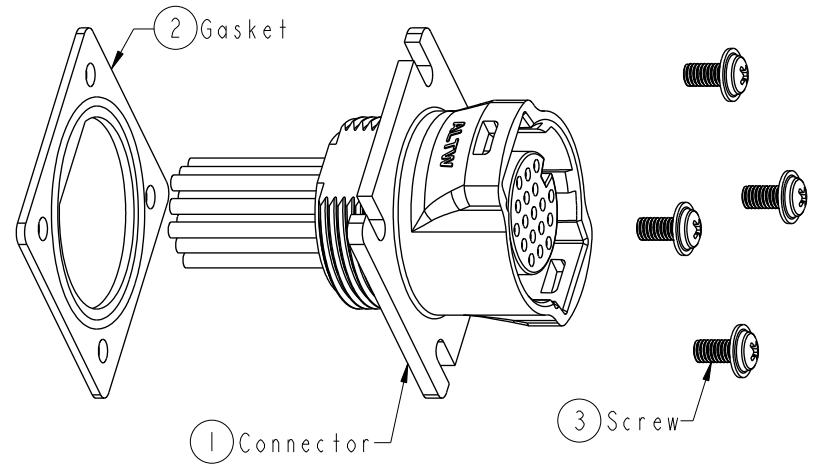
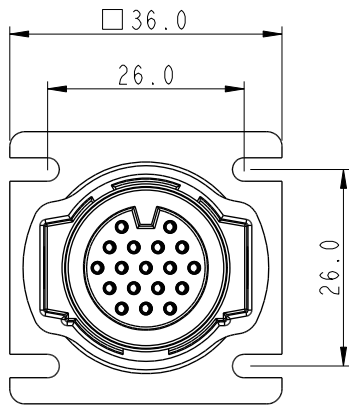
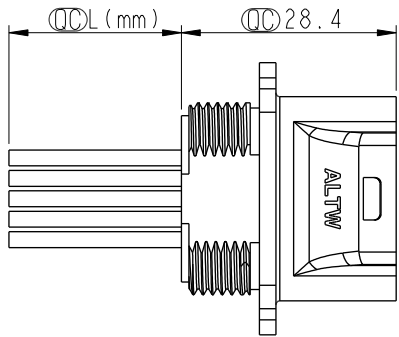
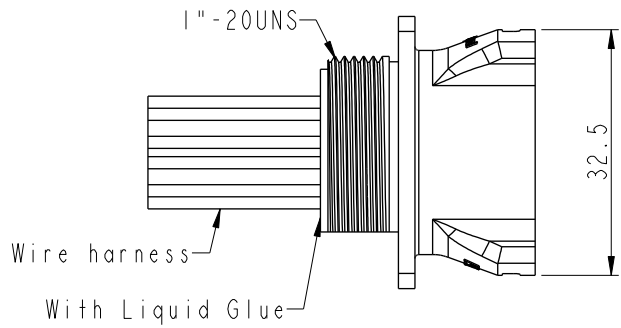
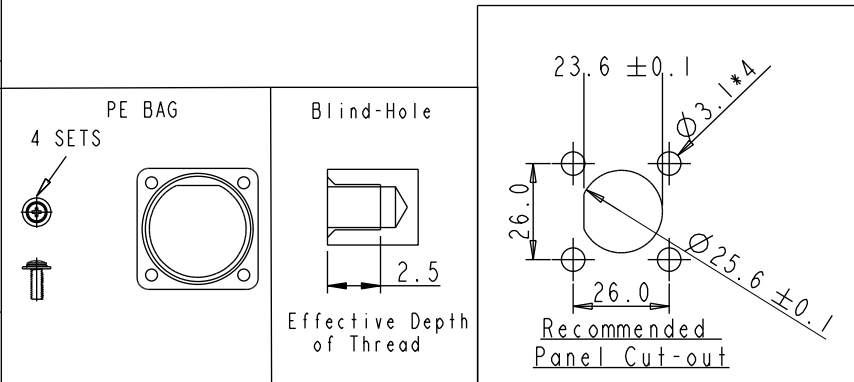


REV.	ECN NO.	DATE	SIGN	DESCRIPTION
A		2020/04/21	Ruru	Initial Released
B	C200692	2020/05/19	Ruru	$\triangle B$ XI



- $\triangle B$  Note:
- \*  $\varnothing$  Important Dimension
  - \* Waterproof Rate: IP68, Unmated  
IP68:1M depth of water in 24 hours
  - \* Connector: Thermoplastic, Black
  - \* Female Pin: Copper Alloy, Gold Plated
  - \* Gasket: Rubber, Gray
  - \* Wire harness: ULI430, 20AWG
  - \* Blind holes for the screws used M3X0.5mm
  - \* Blind Hole Size M3X0.5mm
  - \* Wire Harness Tolerance: 100mm  $\pm$ 10mm  
101~300mm  $\pm$ 15mm  
301~1000mm  $\pm$ 20mm
  - \* Prohibiting the use of place in oils



UNIT:mm	$\varnothing$	TITLE	RBL, D-5A, REAR FASTENED F, F, SOLDER, RBL		
TOLERANCE	$\pm 0.5$	SCALE	1:1	SIZE	A4
		REV.	B	WC-REV.	A.1
					$\varnothing$ : Inspection item
				SHEET	1 OF 3

**Amphenol LTW**  
安費諾亮泰企業股份有限公司

ITEM NO	DRAWN BY	DATE
	Ruru	2020-04-21
DWG NO	CHECKED BY	DATE
DD-XXRFFS-RS8CXX	Rita	2020-04-21
CUSTOMER	APPROVED BY	DATE
ALTW	Max	2020-04-21

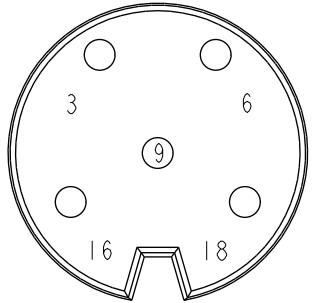
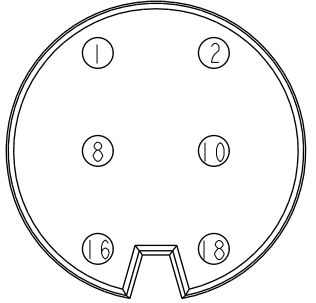
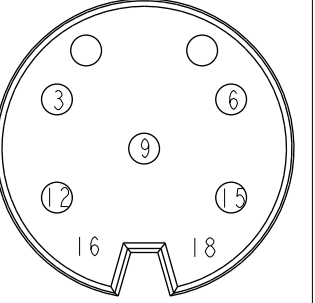
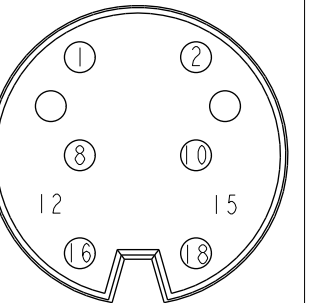
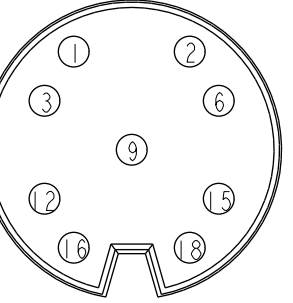
THIS DOCUMENT IS SUBJECT TO CHANGE WITHOUT NOTICE. IT IS CONFIDENTIAL AND A PROPERTY OF Amphenol LTW. DISCLOSURE TO THIRD PARTY HAS TO BE AUTHORIZED BY Amphenol LTW.

THIS DOCUMENT IS SUBJECT TO CHANGE WITHOUT NOTICE. IT IS CONFIDENTIAL AND A PROPERTY OF Amphenol LTW. DISCLOSURE TO THIRD PARTY HAS TO BE AUTHORIZED BY Amphenol LTW.

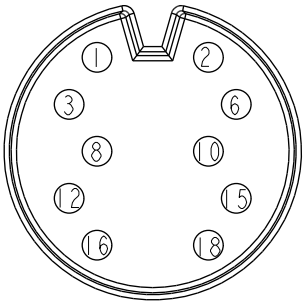
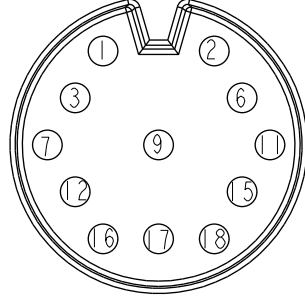
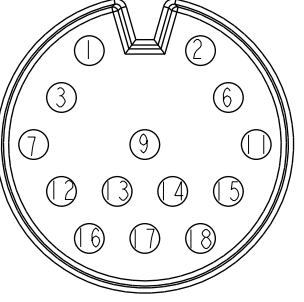
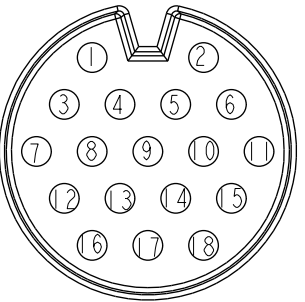
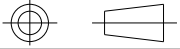
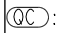
DD-XXRFFS-RS8CXX

XX:No. Of Pin(Pin 數)

10:100mm  
 15:150mm  
 20:200mm  
 ↓  
 A0:1000mm  
 Cable Pitch Unit=50mm  
 Wire Length (L):100~1000 mm

Pin Out	18 Yellow(黃) 16 Orange(橘) 9 Red(紅) 6 Brown(棕) 3 Black(黑)	18 Green(綠) 16 Yellow(黃) 10 Orange(橘) 8 Red(紅) 2 Brown(棕) 1 Black(黑)	18 Blue(藍) 16 Green(綠) 15 Yellow(黃) 12 Orange(橘) 9 Red(紅) 6 Brown(棕) 3 Black(黑)	18 Purple(紫) 16 Blue(藍) 15 Green(綠) 12 Yellow(黃) 10 Orange(橘) 8 Red(紅) 2 Brown(棕) 1 Black(黑)	18 Gray(灰) 16 Purple(紫) 15 Blue(藍) 12 Green(綠) 9 Yellow(黃) 6 Orange(橘) 3 Red(紅) 2 Brown(棕) 1 Black(黑)
					
Pin Assignments Front View	5Pin	6Pin	7Pin	8Pin	9Pin

UNIT:mm TOLERANCE ±0.5	 		TITLE RBL, D-5A, REAR FASTENED F, F, SOLDER, RBL		<h1>Amphenol LTW</h1> <p>安費諾亮泰企業股份有限公司</p>		ITEM NO	DRAWN BY	DATE
	SCALE 1:1	SIZE A4	SHEET 2 OF 3	DWG NO DD-XXRFFS-RS8CXX			CHECKED BY Rita	DATE 2020-04-21	
	REV. B	WC-REV. A.1	 Inspection item	CUSTOMER ALTW	APPROVED BY Max	DATE 2020-04-21			

F										
E										
D										
C										
B										
A										
Pin Out	18 White(白) 17 -- 16 Gray(灰) 15 Purple(紫) 14 -- 13 -- 12 Blue(藍) 11 -- 10 Green(綠) 9 -- 8 Yellow(黃) 7 -- 6 Orange(橘) 5 -- 4 -- 3 Red(紅) 2 Brown(棕) 1 Black(黑)	18 Light Green(淺綠) 17 Pink(粉紅) 16 White(白) 15 Gray(灰) 14 -- 13 -- 12 Purple(紫) 11 Blue(藍) 10 -- 9 Green(綠) 8 -- 7 Yellow(黃) 6 Orange(橘) 5 -- 4 -- 3 Red(紅) 2 Brown(棕) 1 Black(黑)	18 Brown/White(棕/白) 17 Black/White(黑/白) 16 Light Green(淺綠) 15 Pink(粉紅) 14 White(白) 13 Gray(灰) 12 Purple(紫) 11 Blue(藍) 10 -- 9 Green(綠) 8 -- 7 Yellow(黃) 6 Orange(橘) 5 -- 4 -- 3 Red(紅) 2 Brown(棕) 1 Black(黑)	18 Blue/White(藍/白) 17 Green/White(綠/白) 16 Orange/White(橘/白) 15 Red/White(紅/白) 14 Brown/White(棕/白) 13 Black/White(黑/白) 12 Light Green(淺綠) 11 Pink(粉紅) 10 White(白) 9 Gray(灰) 8 Purple(紫) 7 Blue(藍) 6 Green(綠) 5 Yellow(黃) 4 Orange(橘) 3 Red(紅) 2 Brown(棕) 1 Black(黑)						
Pin Assignments Front View	 <p style="text-align: center;">10Pin</p>	 <p style="text-align: center;">12Pin</p>	 <p style="text-align: center;">14Pin</p>	 <p style="text-align: center;">18Pin</p>						
UNIT:mm			TITLE RBL, D-5A, REAR FASTENED F, F, SOLDER, RBL		<h1 style="margin: 0;">Amphenol LTW</h1>		ITEM NO	DRAWN BY	DATE	
TOLERANCE	±0.5		SCALE	1:1	SIZE	A4	SHEET	3	OF	3
	REV.	B	WC-REV.	A.1	 Inspection item		DD-XXRFFS-RS8CXX		Ruru Rita Max	2020-04-21 2020-04-21 2020-04-21
					<b>安費諾亮泰企業股份有限公司</b>		CUSTOMER	APPROVED BY	DATE	
					ALTW				2020-04-21	
									8 W10814-03-0001A2	