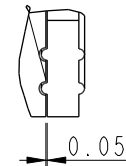
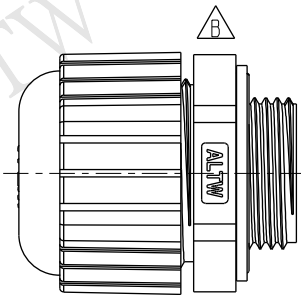
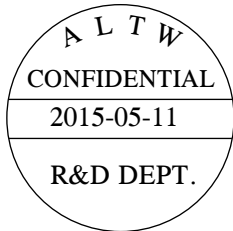
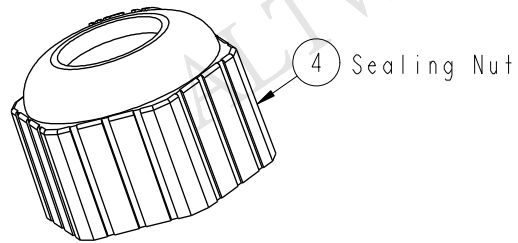
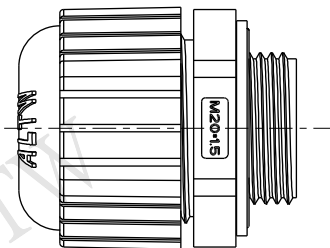
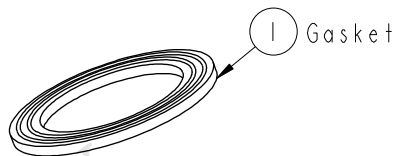
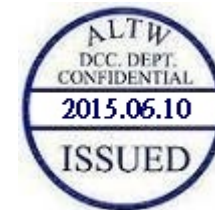
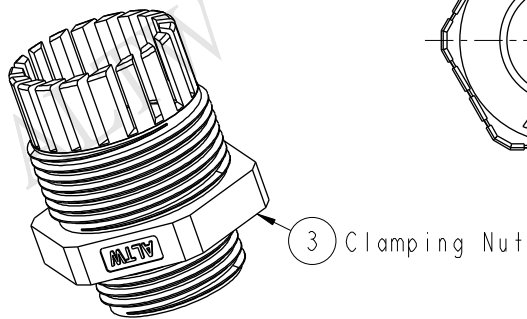
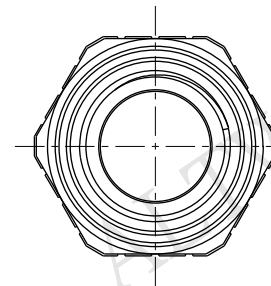
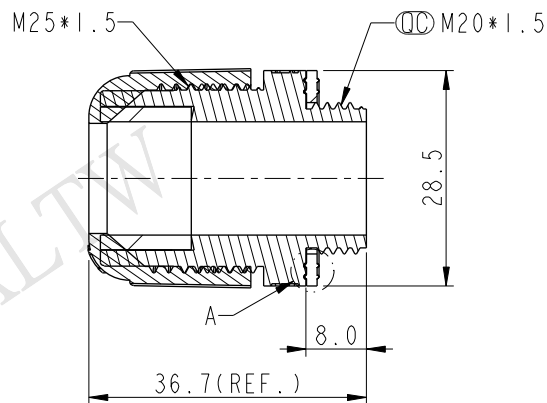
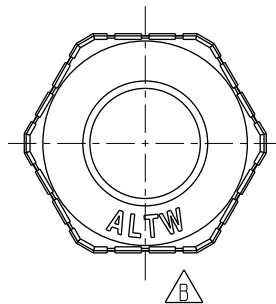
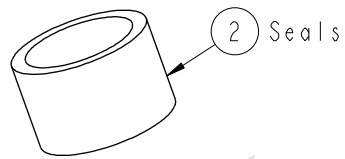


REV.	ECN NO.	DATE	SIGN	DESCRIPTION
A		2005/12/08	Chiu Chia Chi	Change Rev.01 to Rev.A
B	LEN1560100	2015/05/11	Ruru	Change Logo



Detail "A"
Scale 3:1



- Note:
- * \varnothing Important Dimension
 - * Waterproof Rate: IP68
 - * Gasket: EPDM, Black
 - * Clamp Ring: Nylon 66, Black
 - * Seals: EPDM, Black
 - * Sealing Nut: Nylon 66, Black
 - * Cable Range: $\varnothing 14.0 \sim \varnothing 10.0$

UNIT: mm TOLERANCE .X ±0.25 .XX ±0.1 .XXX ±0.05 ANGLES ±1°		TITLE		Amphenol LTW 安費諾亮泰企業股份有限公司	ITEM NO	DRAWN BY	DATE
		M20 Cable Glands-Assembly			CSG-20M002	Ruru	2015-05-11
		SCALE	SIZE		SHEET	OF	DWG NO
4:5	A4	1	1	CSG-20M002	Rita	2015-05-11	
REV.	WC-REV.	Inspection item		CUSTOMER	APPROVED BY	DATE	
B	A.1			ALTW	Lion	2015-05-11	

THIS DOCUMENT IS SUBJECT TO CHANGE WITHOUT NOTICE. IT IS CONFIDENTIAL AND A PROPERTY OF AMPHENOL LTW. DISCLOSURE TO THIRD PARTY HAS TO BE AUTHORIZED BY AMPHENOL LTW.