

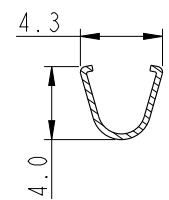
THIS DOCUMENT IS SUBJECT TO CHANGE WITHOUT NOTICE. IT IS CONFIDENTIAL AND A PROPERTY OF Amphenol LTW. DISCLOSURE TO THIRD PARTY HAS TO BE AUTHORIZED BY Amphenol LTW.

REV.	ECN NO.	DATE	SIGN	DESCRIPTION
B	C200383	2020-03-28	Peng	△BXI

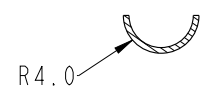
SAMI2C-XXG03



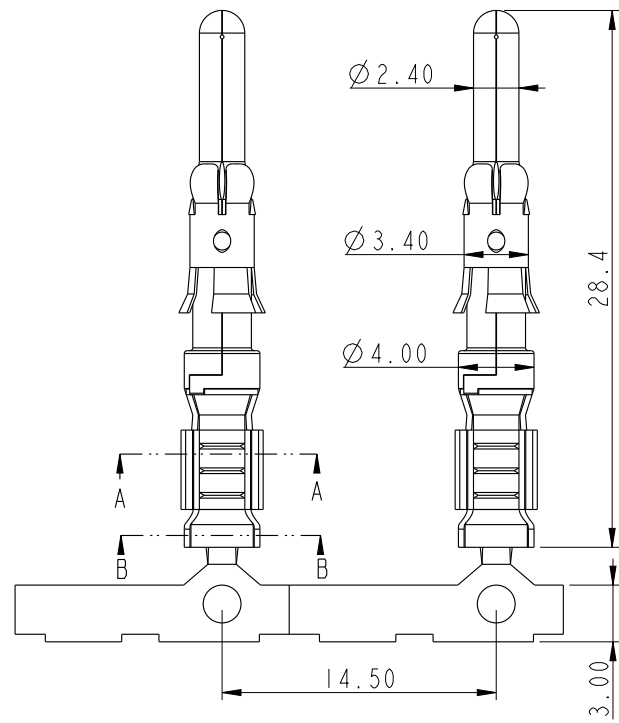
- 01:MPQ(1000PCS)/REEL
- 02:LOOSE PIECE 500PCS
- 03:LOOSE PIECE 100PCS



SECTION A-A



SECTION B-B



Note:

- * Material
 Contact Body: Copper Alloy
 Outer Spring: Stainless steel
- * Contact Finish: 3u"Min Gold Plating
- * Current Rating: 20A Max
- * Termination Type: Crimping
- * Wire Range: 14AWG~12AWG
- * Salt Spray Test 48H
- * This drawing is supplied for information only design features specifications and performance data

UNIT:mm		
TOLERANCE	±0.5	

TITLE 20A MALE CLAW PIN TERMINAL			
SCALE 5:2	SIZE A4	SHEET 1 OF 1	
REV. B	WC-REV. A.3	QC: Inspection item	

Amphenol LTW
 安費諾亮泰企業股份有限公司

ITEM NO	DRAWN BY Jinhai	DATE 2015-08-11
DWG NO SAMI2C-XXG03	CHECKED BY Rensong	DATE 2015-08-11
CUSTOMER ALTW	APPROVED BY Jerry	DATE 2015-08-11