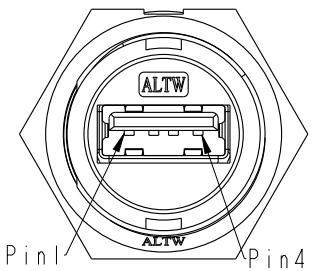
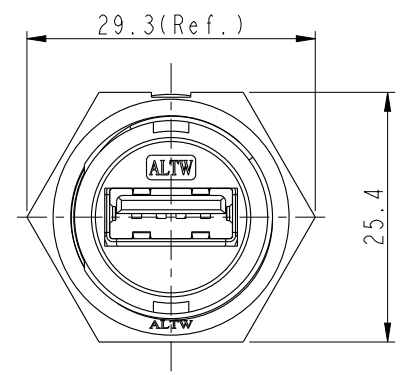
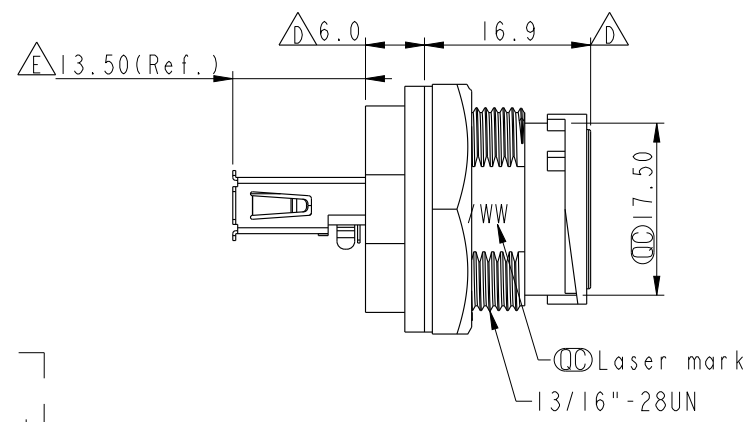
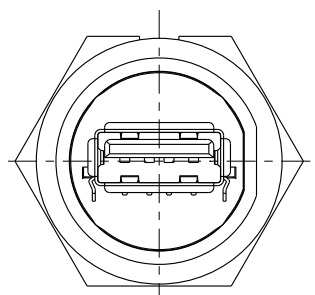
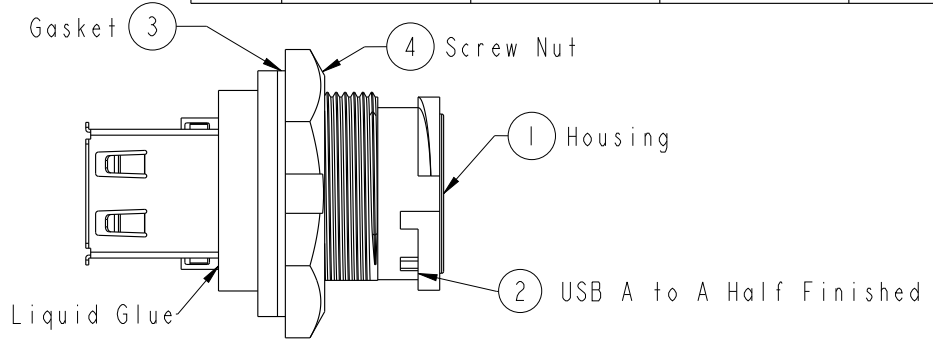


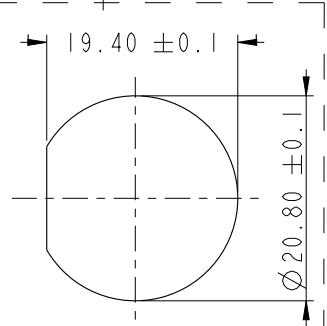
THIS DOCUMENT IS SUBJECT TO CHANGE WITHOUT NOTICE. IT IS CONFIDENTIAL AND A PROPERTY OF AMPHENOL LTW. DISCLOSURE TO THIRD PARTY HAS TO BE AUTHORIZED BY AMPHENOL LTW.

REV.	ECN NO.	DATE	SIGN	DESCRIPTION
C	LEN1640001	2016/03/29	Vicky	Update Gasket Color
D	LEN1670227	2016/07/15	Vicky	Update Screw Nut Material & Dime
E	LEN1741168	2017/03/15	Lingpeng	Change The Jack

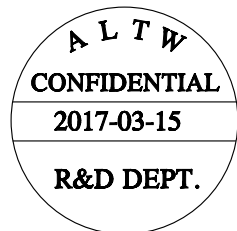
YYYY/WW  
 ↑  
 Years      Weeks



Pin Assignments  
Front View



Recommended  
Panel Cut-Out

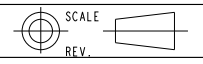


Note:

- \*  $\varnothing$  Important Dimension.
- \* Waterproof Rate: IP67
- \* Connector: M-PPE, Black
- \* USB A type: Female 90° PCB, Gold Plated
- $\triangle C$  \* Gasket: Silicone, Black
- $\triangle D$  \* Screw Nut: Nylon+GF, Black
- \* Use with waterproof cap or dust cap  
For Panel Thickness Max: 2.8mm
- \* Use without waterproof cap or dust cap  
For Panel Thickness Max: 4.0mm

UNIT: mm

TOLERANCE	
.X	±0.25
.XX	±0.1
.XXX	±0.05
ANGLES	±1°



TITLE USB A TO A JACK PANEL			
SCALE 13:10	SIZE A4	SHEET 1 OF 1	
REV. E	WC-REV. A.3	$\varnothing$ : Inspection item	

**Amphenol LTW**  
 安費諾亮泰企業股份有限公司

ITEM NO UA-20PMFJ-NC7001	DRAWN BY Lingpeng	DATE 2017-03-15
DWG NO UA-20PMFJ-NC7001	CHECKED BY Youdan	DATE 2017-03-15
CUSTOMER ALTW	APPROVED BY Jerry	DATE 2017-03-15

DATE 2017-03-15
DATE 2017-03-15
DATE 2017-03-15

DATE 2017-03-15
DATE 2017-03-15
DATE 2017-03-15