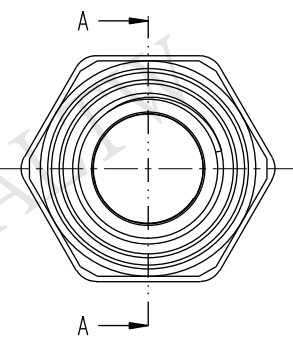
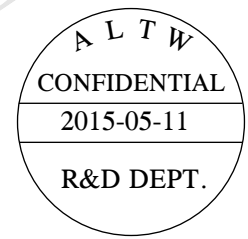
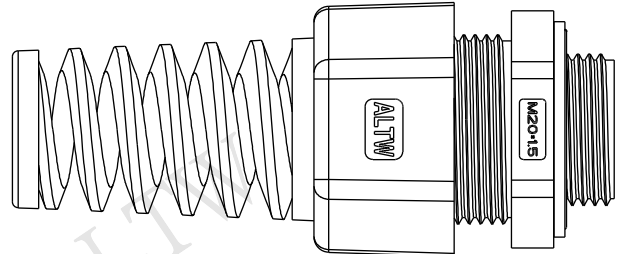
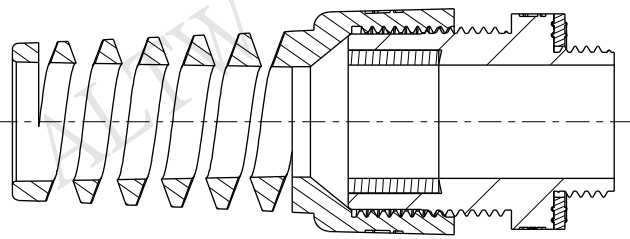
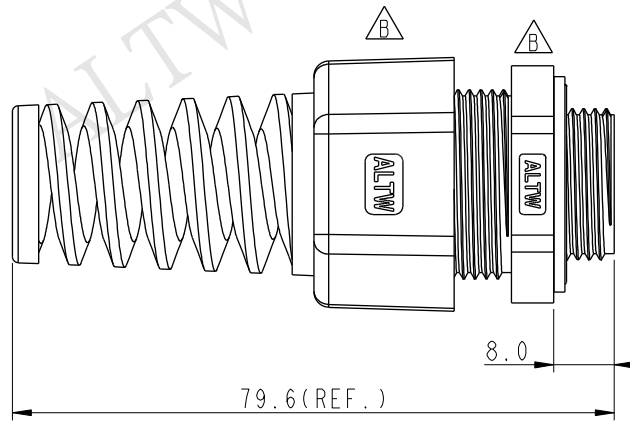
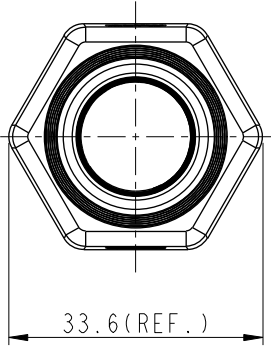
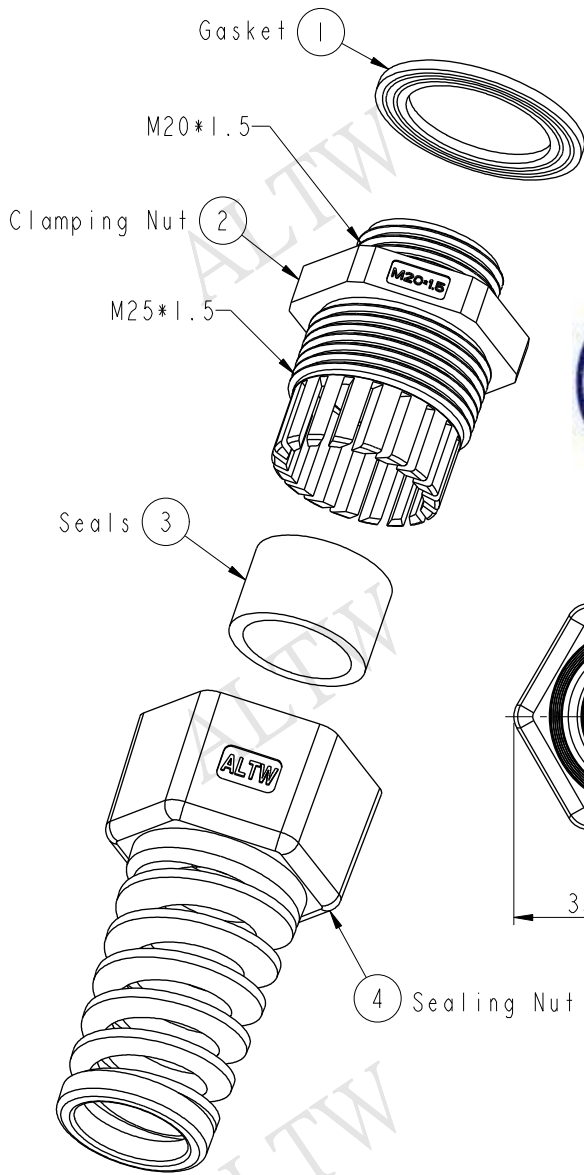


REV.	ECN NO.	DATE	SIGN	DESCRIPTION
B	LEN1560101	2015/05/11	Ruru	Change Logo



- Note:
- \* Waterproof Rate: IP68
  - \* Clamp Ring: Nylon, Black
  - \* Sealing Nut: Nylon, Black
  - \* Gasket: EPDM, Black
  - \* Seals: EPDM, Black
  - \* Cable Range:  $\varnothing 10.0 \sim \varnothing 14.0$ mm
  - \* For Panel Thickness: 6.2mm max
  - \* Spanner Size:
    - Body: 28.5mm
    - Sealing Nut: 29.9mm

UNIT: mm	
TOLERANCE	
.X	$\pm 0.25$
.XX	$\pm 0.1$
.XXX	$\pm 0.05$
ANGLES	$\pm 1^\circ$

TITLE M20 Cable Glands			
SCALE 4:5	SIZE A4	SHEET 1 OF 1	
REV. B	WC-REV. A.1	QC: Inspection item	

**Amphenol LTW**  
安費諾亮泰企業股份有限公司

ITEM NO CSG-20M007	DRAWN BY Ruru	DATE 2015-05-11
DWG NO CSG-20M007	CHECKED BY Rita	DATE 2015-05-11
CUSTOMER ALTW	APPROVED BY Lion	DATE 2015-05-11

THIS DOCUMENT IS SUBJECT TO CHANGE WITHOUT NOTICE. IT IS CONFIDENTIAL AND A PROPERTY OF AMPHENOL LTW. DISCLOSURE TO THIRD PARTY HAS TO BE AUTHORIZED BY AMPHENOL LTW.