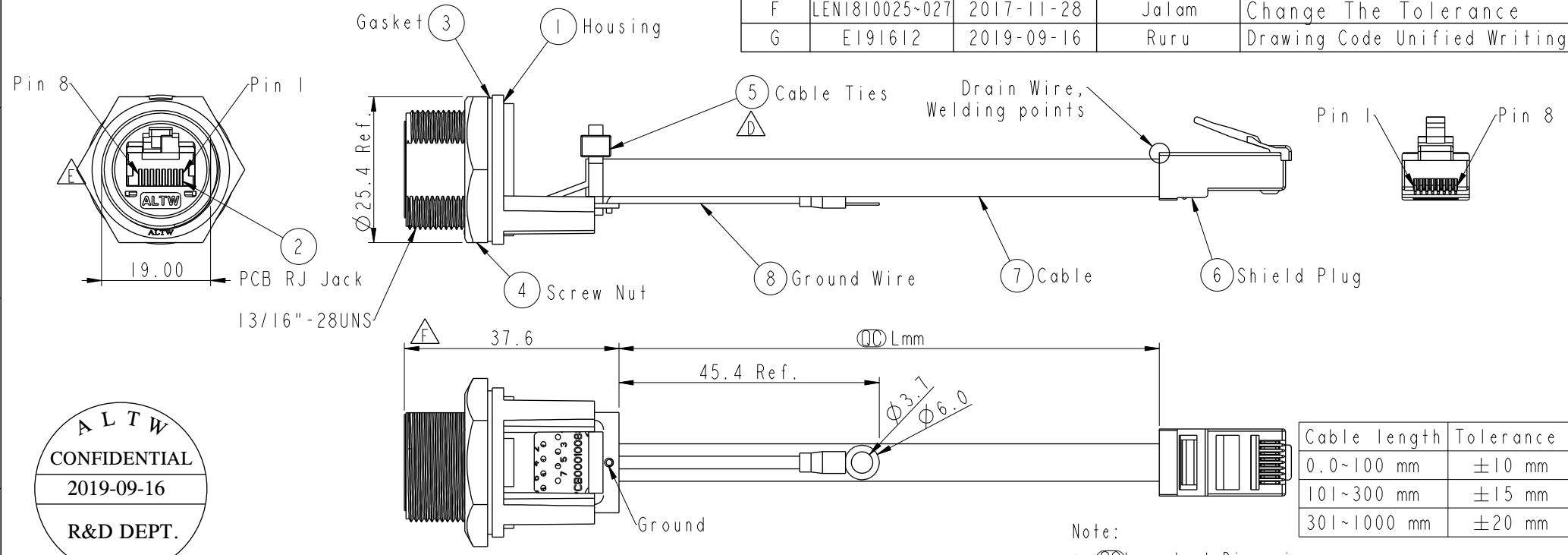


THIS DOCUMENT IS SUBJECT TO CHANGE WITHOUT NOTICE. IT IS CONFIDENTIAL AND A PROPERTY OF Amphenol LTW. DISCLOSURE TO THIRD PARTY HAS TO BE AUTHORIZED BY Amphenol LTW.

| REV. | ECN NO. | DATE | SIGN | DESCRIPTION |
|------|----------------|------------|--------|------------------------------|
| E | LEN15C0244~45 | 2015-12-16 | Jinhai | 凸字底部修平 |
| F | LEN1810025~027 | 2017-11-28 | Jalam | Change The Tolerance |
| G | E191612 | 2019-09-16 | Ruru | Drawing Code Unified Writing |



| Cable length | Tolerance |
|--------------|-----------|
| 0.0~100 mm | ±10 mm |
| 101~300 mm | ±15 mm |
| 301~1000 mm | ±20 mm |

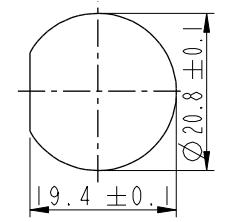
- Note:
- * (Circled C) Important Dimension
 - * Waterproof Rate : IP67 Mated
 - * Housing : Nylon+GF,UL 94V-0,BLACK
 - * Screw Nut : Nylon+GF,BLACK
 - * Gasket : Silicone,UL 94V-0,Gray.
 - * PCB: FR-4
 - * Jack : PBT Polyester UL 94V-0
 - * Ground Terminal:Brass,Tin Plated,Thickness:0.4mm
 - * Use without Waterproof cap or Dust cap
For Panel Thickness Max: 4.2mm
 - * Use with Waterproof cap or Dust cap
For Panel Thickness Max: 3.0mm
 - * Screw torsion value range: 8~12kgf-cm

| Ground | Wire (20AWG) | Green | Terminal |
|--------|--------------|-------|----------|
| Shield | Drain Wire | 接地線 | Shield |
| 8 | Brown | 棕 | 8 |
| 7 | White/Brown | 白/棕 | 7 |
| 6 | Green | 綠 | 6 |
| 5 | White/Blue | 白/藍 | 5 |
| 4 | Blue | 藍 | 4 |
| 3 | White/Green | 白/綠 | 3 |
| 2 | Orange | 橘 | 2 |
| 1 | White/Orange | 白/橘 | 1 |
| Jack | Wire Color | | Plug |
| | Pin Out | | |

RCP-5SPFFG-SCM7BXX (Circled G)

10: 100mm
15: 150mm
20: 200mm
A0: 1000mm

Twist Cable Pitch Unit=50mm
Cable Length(L):100~1000mm



UNIT: mm

TOLERANCE

| | |
|--------|-------|
| .X | ±0.25 |
| .XX | ±0.1 |
| .XXX | ±0.05 |
| ANGLES | ±1° |

TITLE: RJ45,C SIZE,MATED WATERPROOF ADD GROUND WIRE

| | | |
|------------|-------------|------------------------------|
| SCALE: 1:1 | SIZE: A4 | SHEET: 1 OF 1 |
| REV: G | WC-REV: B.5 | (Circled C): Inspection item |

Amphenol LTW
安費諾亮泰企業股份有限公司

| | | |
|--------------------|-------------|------------|
| ITEM NO | DRAWN BY | DATE |
| | Ruru | 2019-09-16 |
| DWG NO | CHECKED BY | DATE |
| RCP-5SPFFG-SCM7BXX | Rita | 2019-09-16 |
| CUSTOMER | APPROVED BY | DATE |
| ALTW | Max | 2019-09-16 |