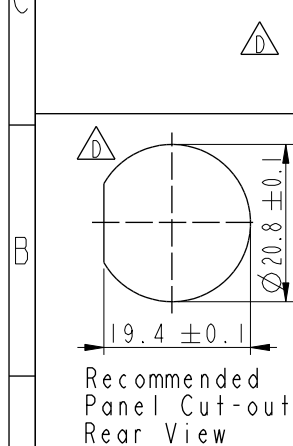
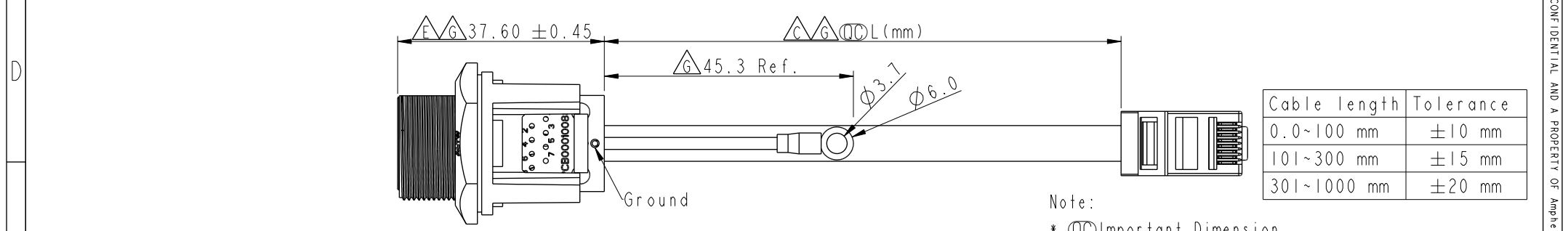
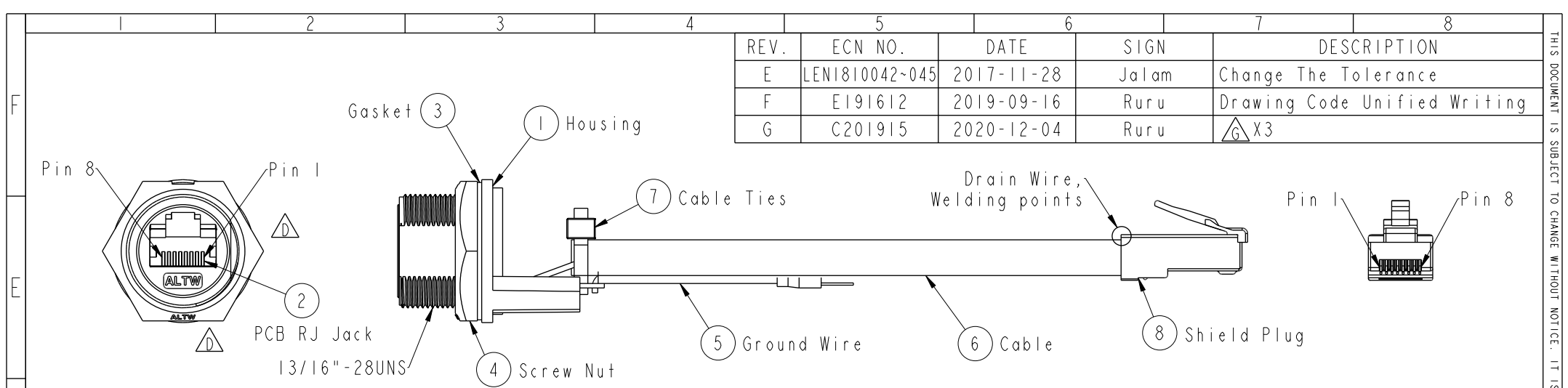


THIS DOCUMENT IS SUBJECT TO CHANGE WITHOUT NOTICE. IT IS CONFIDENTIAL AND A PROPERTY OF AMPHENOL LTW. DISCLOSURE TO THIRD PARTY HAS TO BE AUTHORIZED BY AMPHENOL LTW.

REV.	ECN NO.	DATE	SIGN	DESCRIPTION
E	LEN1810042~045	2017-11-28	Jalam	Change The Tolerance
F	E191612	2019-09-16	Ruru	Drawing Code Unified Writing
G	C201915	2020-12-04	Ruru	△G X3



Ground	Wire (20AWG)	Green	Terminal
Shield	Drain Wire	接地線	Shield
8	Brown	棕	8
7	White/Brown	白/棕	7
6	Green	綠	6
5	White/Blue	白/藍	5
4	Blue	藍	4
3	White/Green	白/綠	3
2	Orange	橘	2
1	White/Orange	白/橘	1
Jack	Wire Color		Plug
	Pin Out		

RCP-5SPFFG-SCU7BXX △A
 10: 100mm
 15: 150mm
 20: 200mm
 A0: 1000mm
 Cable Pitch Unit=50mm
 Cable Length(L):100~1000mm

- Note:
- * (C) Important Dimension
 - * Waterproof Rate : IP67 Unmated
 - * Housing : Nylon+GF,UL 94V-0,BLACK
 - * Screw Nut : Nylon+GF,BLACK
 - * Gasket : Silicone,UL 94V-0,Gray.
 - * PCB: FR-4
 - * Jack : PBT Polyester UL 94V-0
 - * △ Ground Terminal:Brass,Tin Plated,Thickness:0.4mm
 - * Use without Waterproof cap or Dust cap
For Panel Thickness Max: 4.2mm
 - * Use with Waterproof cap or Dust cap
For Panel Thickness Max: 3.0mm
 - * Screw torsion value range: 8~12kgf-cm

UNIT: mm		TITLE	<h1>Amphenol LTW</h1> <h2>安費諾亮泰企業股份有限公司</h2>		ITEM NO	DRAWN BY	DATE
		RJ45,C SIZE,UNMATED WATERPROOF ADD GROUND WIRE			RCP-5SPFFG-SCU7BXX	Ruru	2019-09-16
TOLERANCE		SCALE	SIZE	SHEET	OF	CHECKED BY	DATE
.X ±0.25		1:1	A4	1	1	Rita	2019-09-16
.XX ±0.1		REV.	WC-REV.	(C): Inspection item		APPROVED BY	DATE
.XXX ±0.05		G	A.6			Max	2019-09-16
ANGLES ±1°				CUSTOMER			
				ALTW			