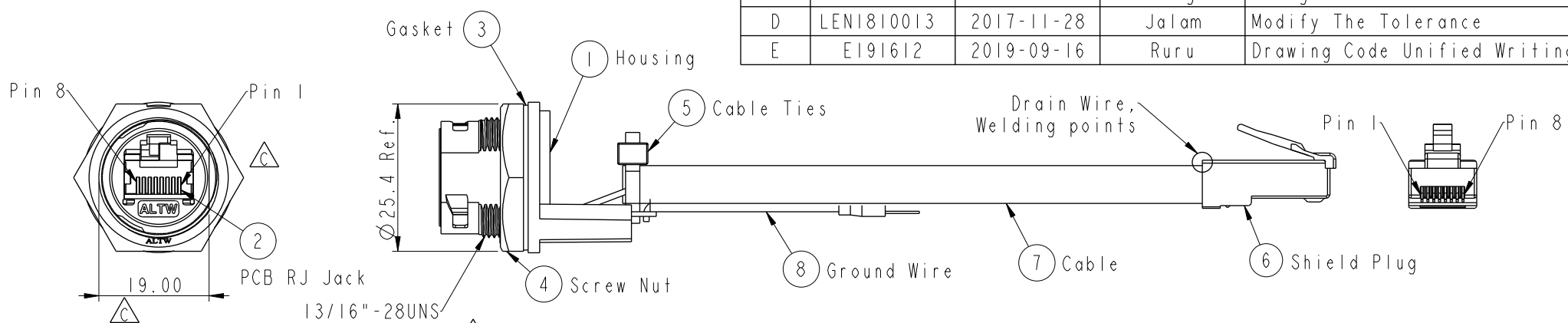


THIS DOCUMENT IS SUBJECT TO CHANGE WITHOUT NOTICE. IT IS CONFIDENTIAL AND A PROPERTY OF Amphenol LTW. DISCLOSURE TO THIRD PARTY HAS TO BE AUTHORIZED BY Amphenol LTW.

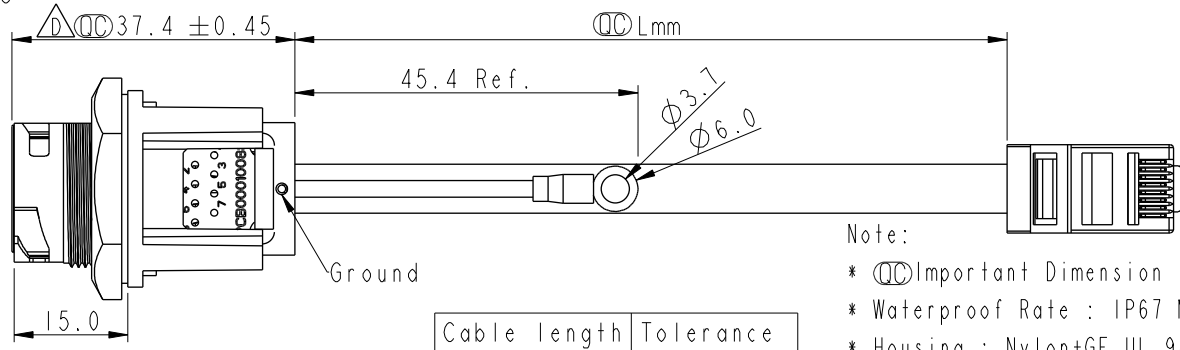
REV.	ECN NO.	DATE	SIGN	DESCRIPTION
C	LEN1440184	2014-04-19	Tom_gu	Change D Cut
D	LEN1810013	2017-11-28	Jalam	Modify The Tolerance
E	E191612	2019-09-16	Ruru	Drawing Code Unified Writing



RCP-5SPFFG-TCM7BXX

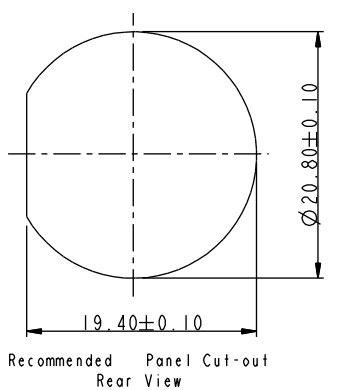
10: 100mm
15: 150mm
20: 200mm
A0: 1000mm

Cable Pitch Unit=50mm
Cable Length(L):100~1000mm

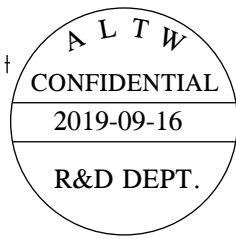


Cable length	Tolerance
0.0~100 mm	±10 mm
101~300 mm	±15 mm
301~1000 mm	±20 mm

- Note:
- * \varnothing Important Dimension
 - * Waterproof Rate : IP67 Mated
 - * Housing : Nylon+GF,UL 94V-0,BLACK
 - * Screw Nut : Nylon+GF,,UL 94V-0,BLACK
 - * Gasket : Silicone,UL 94V-0,Gray.
 - * PCB: FR-4
 - * Cable: CAT5E FTP 24#*4P+D+AL/MY,6.5
 - * Ground Wire: UL1015
 - * Jack : PBT Polyester UL 94V-0
 - * Ground Terminal:Brass,Tin Plated,Thickness:0.4mm
 - * Use without Waterproof cap or Dust cap
For Panel Thickness Max: 3.0mm
 - * Use with Waterproof cap or Dust cap
For Panel Thickness Max: 1.8mm
 - * Screw torsion value range: 8~12kgf-cm



Ground	Wire (20AWG)	Green	Terminal
Shield	Drain Wire	接地線	Shield
8	Brown	棕	8
7	White/Brown	白/棕	7
6	Green	綠	6
5	White/Blue	白/藍	5
4	Blue	藍	4
3	White/Green	白/綠	3
2	Orange	橘	2
1	White/Orange	白/橘	1
Jack	Wire Color		Plug
	Pin Out		



UNIT: mm

TOLERANCE	
.X	±0.25
.XX	±0.1
.XXX	±0.05
ANGLES	±1°

TITLE: RJ45,C SIZE,MATED WATERPROOF ADD GROUND WIRE

SCALE	SIZE	SHEET	OF
1:1	A4	1	1

REV. E WC-REV. B.5 \varnothing Inspection item

Amphenol LTW
安費諾亮泰企業股份有限公司

ITEM NO	DRAWN BY	DATE
	Ruru	2019-09-16
DWG NO	CHECKED BY	DATE
RCP-5SPFFG-TCM7BXX	Rita	2019-09-16
CUSTOMER	APPROVED BY	DATE
ALTW	Max	2019-09-16