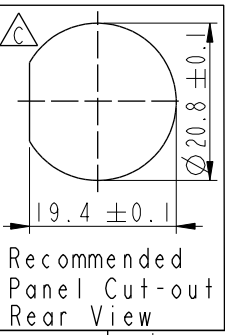
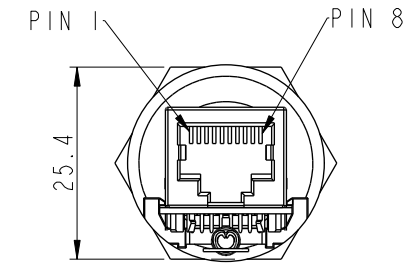
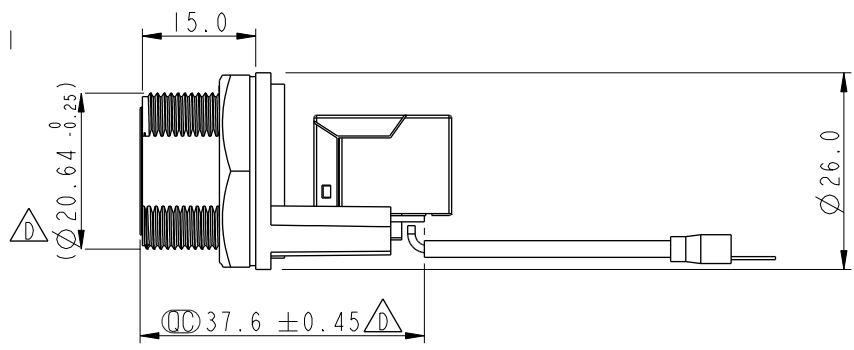
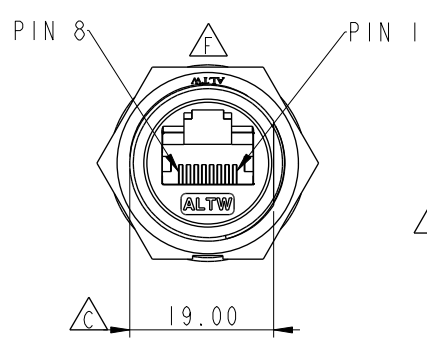
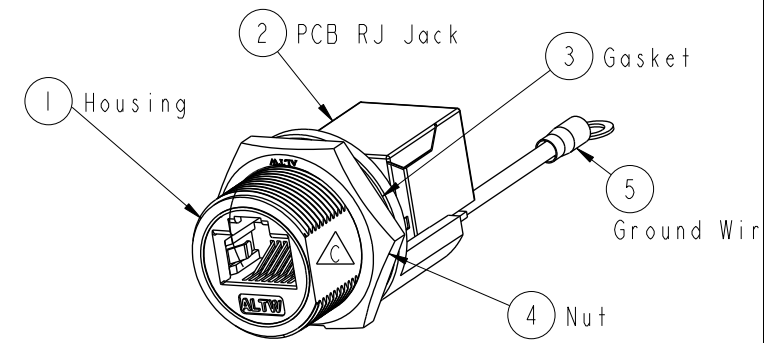
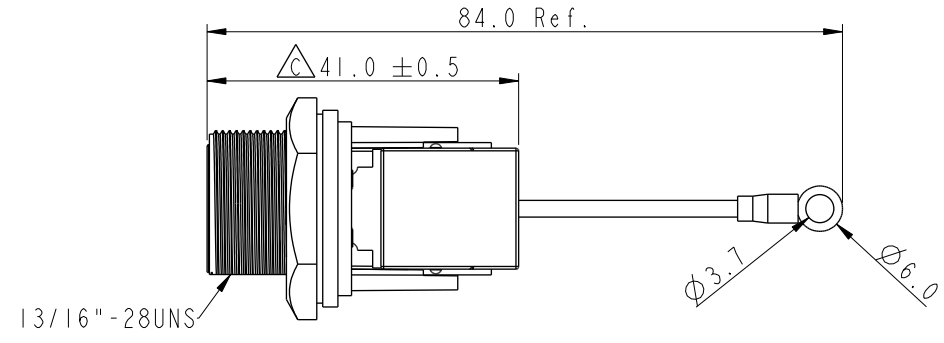


THIS DOCUMENT IS SUBJECT TO CHANGE WITHOUT NOTICE. IT IS CONFIDENTIAL AND A PROPERTY OF Amphenol LTW. DISCLOSURE TO THIRD PARTY HAS TO BE AUTHORIZED BY Amphenol LTW.

REV.	ECN NO.	DATE	SIGN	DESCRIPTION
D	LEN1810037	2017/11/28	Jalam	Change The Tolerance
E	C190405	2019/03/18	Ruru	Modify Note
F	C200524	2020/04/22	Vicky	△F*2



- △E Note:
- * ∅ Important Dimension
 - * Waterproof Rate : IP67, Unmated
 - * Housing: Thermoplastic, Black
 - * Nut: Thermoplastic, Black
 - * Gasket: Rubber, Gray
 - * PCB: FR-4
 - * Jack: Thermoplastic
 - △C * Ground Terminal: Copper Alloy, Tin Plated
 - * Use without Waterproof cap or Dust cap For Panel Thickness Max: 4.2mm
 - * Use with Waterproof cap or Dust cap For Panel Thickness Max: 3.0mm
 - * Screw torsion value range: 8~12kgf-cm

UNIT: mm		TITLE		<h1>Amphenol LTW</h1> <p>安費諾亮泰企業股份有限公司</p>	ITEM NO	DRAWN BY	DATE
		RJ, C PLASTIC, C5E SHLD FRONT FASTENED, F, PNL JACK S, SCREW			RCP-5SPFFH-SCU7002	Ruru	2019-03-18
TOLERANCE		SCALE	SIZE	SHEET	DWG NO	CHECKED BY	DATE
.X ±0.25		1:1	A4	1 OF 1	RCP-5SPFFH-SCU7002	Rita	2019-03-18
.XX ±0.1		REV.	WC-REV.		CUSTOMER	APPROVED BY	DATE
.XXX ±0.05		F	B.5		ALTW	Max	2019-03-18
ANGLES ±1°				∅C: Inspection item			