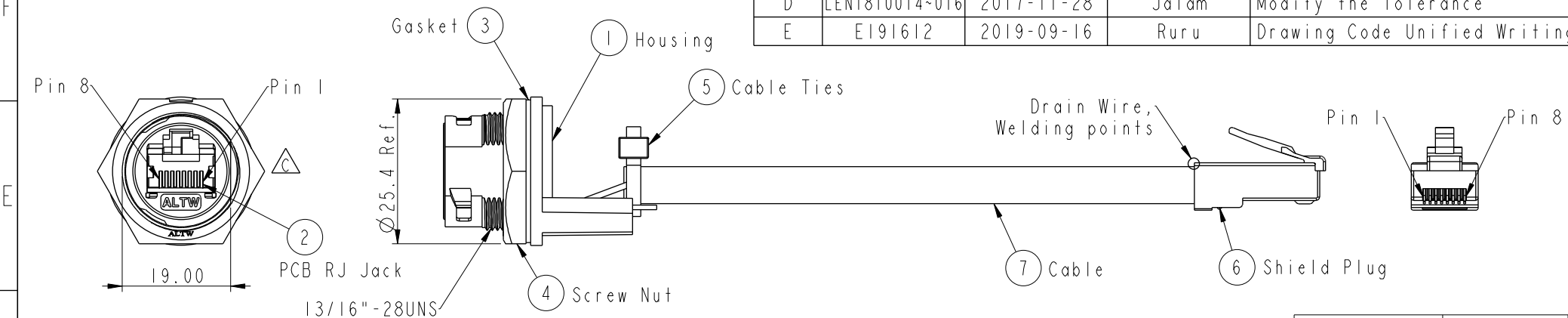
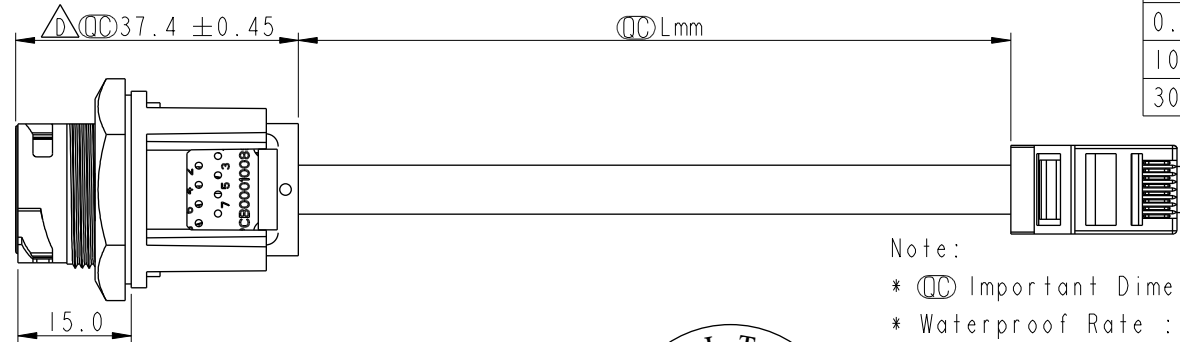


THIS DOCUMENT IS SUBJECT TO CHANGE WITHOUT NOTICE. IT IS CONFIDENTIAL AND A PROPERTY OF AMPHENOL LTW. DISCLOSURE TO THIRD PARTY HAS TO BE AUTHORIZED BY AMPHENOL LTW.

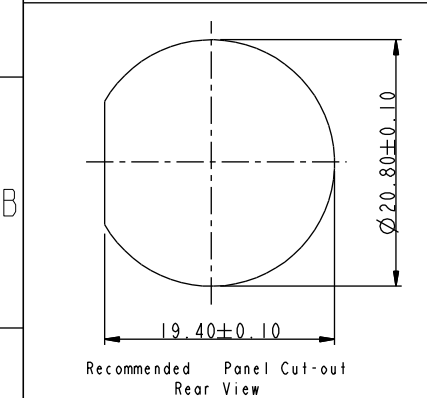
REV.	ECN NO.	DATE	SIGN	DESCRIPTION
C	LEN1440188	2014-04-19	Tom_gu	Change D Cut
D	LEN1810014-016	2017-11-28	Jalam	Modify the Tolerance
E	E191612	2019-09-16	Ruru	Drawing Code Unified Writing



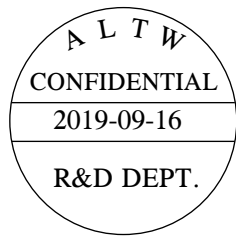
Pin 8
Pin 1
ALTW
19.00
PCB RJ Jack
13/16"-28UNS
RCP-5SPFFP-TCM7BXX
10: 100mm
15: 150mm
20: 200mm
A0: 1000mm
Cable Pitch Unit=50mm
Cable Length(L):100~1000mm



Cable length	Tolerance
0.0~100 mm	±10 mm
101~300 mm	±15 mm
301~1000 mm	±20 mm



Shield	Drain Wire	接地線	Shield	
8	Brown	棕	8	Twist
7	White/Brown	白/棕	7	
6	Green	綠	6	Twist
5	White/Blue	白/藍	5	
4	Blue	藍	4	Twist
3	White/Green	白/綠	3	
2	Orange	橘	2	Twist
1	White/Orange	白/橘	1	
Jack	Wire Color	Pin Out	Plug	



Note:
 * \varnothing Important Dimension
 * Waterproof Rate : IP67 Mated
 * Housing : Nylon+GF,UL 94V-0,BLACK
 * Screw Nut : Nylon+GF,,UL 94V-0,BLACK
 * Gasket : Silicone,UL 94V-0,Gray.
 * PCB: FR-4
 * Cable: CAT5E FTP 24#*4P+D+AL/MY,6.5
 * Jack : PBT Polyester UL 94V-0
 * Use without Waterproof cap or Dust cap
 For Panel Thickness Max: 3.0mm
 * Use with Waterproof cap or Dust cap
 For Panel Thickness Max: 1.8mm
 * Screw torsion value range: 8~12kgf-cm

UNIT: mm TOLERANCE .X ±0.25 .XX ±0.1 .XXX ±0.05 ANGLES ±1°	TITLE RJ45,C SIZE,MATED WATERPROOF		Amphenol LTW 安費諾亮泰企業股份有限公司		ITEM NO RCP-5SPFFP-TCM7BXX	DRAWN BY Ruru	DATE 2019-09-16	
	SCALE 1:1	SIZE A4			SHEET 1 OF 1	DWG NO RCP-5SPFFP-TCM7BXX	CHECKED BY Rita	DATE 2019-09-16
	REV. E	WC-REV. B.5			\varnothing : Inspection item	CUSTOMER ALTW	APPROVED BY Max	DATE 2019-09-16