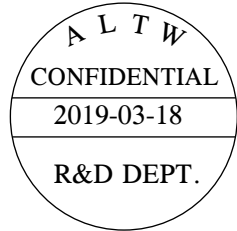
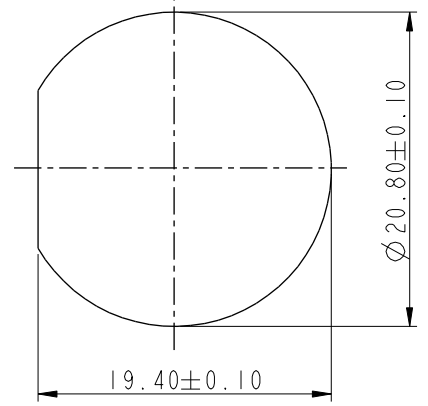
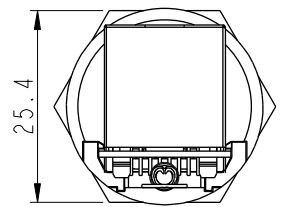
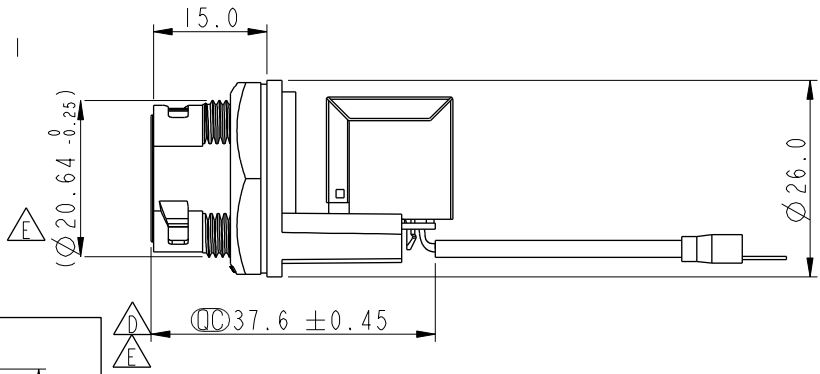
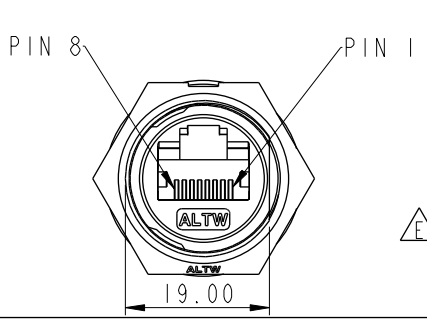
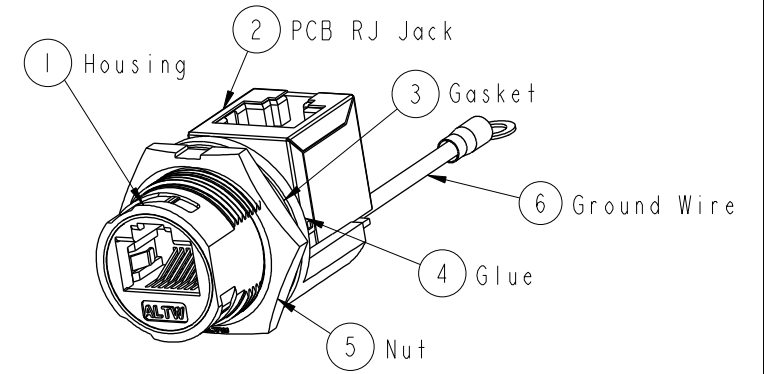
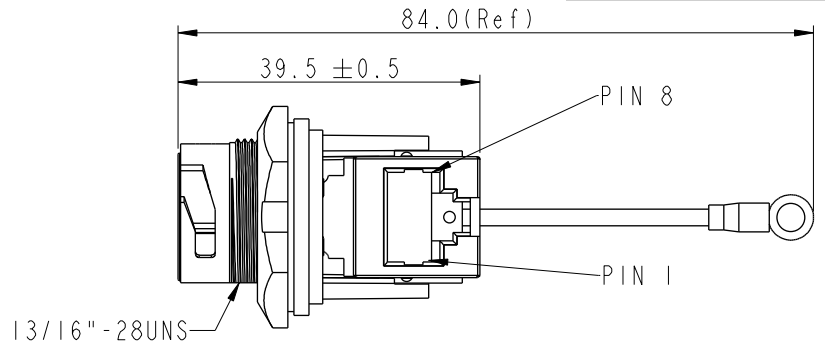


REV.	ECN NO.	DATE	SIGN	DESCRIPTION
E	LEN1810041	2017-11-28	Jalam	Change The Tolerance
F	CI90405	2019/03/18	Ruru	Modify Note



- Note: \triangle
- * CC Important Dimension
 - * Waterproof Rate : IP67, Unmated
 - * Housing: Thermoplastic, Black
 - * Nut: Thermoplastic, Black
 - * Gasket: Rubber, Gray
 - * PCB: FR-4
 - * Jack: Thermoplastic
 - * Ground Terminal: Copper Alloy, Tin Plated
 - * Use without Waterproof cap or Dust cap
For Panel Thickness Max: 3.0mm
 - * Use with Waterproof cap or Dust cap
For Panel Thickness Max: 1.8mm
 - * Screw torsion value range: 8~12kgf-cm

UNIT : mm TOLERANCE .X ±0.25 .XX ±0.1 .XXX ±0.05 ANGLES ±1°	TITLE RJ45,C SIZE,WATERPROOF ADD GROUND WIRE		Amphenol LTW 安費諾亮泰企業股份有限公司		ITEM NO RCP-5SPFFV-TCU7002	DRAWN BY Ruru	DATE 2019-03-18
	SCALE 1:1	SIZE A4	SHEET 1 OF 1	DWG NO RCP-5SPFFV-TCU7002	CHECKED BY Rita	DATE 2019-03-18	
	REV. F	WC-REV. B.6	CC : Inspection item	CUSTOMER ALTW	APPROVED BY Max	DATE 2019-03-18	

THIS DOCUMENT IS SUBJECT TO CHANGE WITHOUT NOTICE. IT IS CONFIDENTIAL AND A PROPERTY OF Amphenol LTW. DISCLOSURE TO THIRD PARTY HAS TO BE AUTHORIZED BY Amphenol LTW.