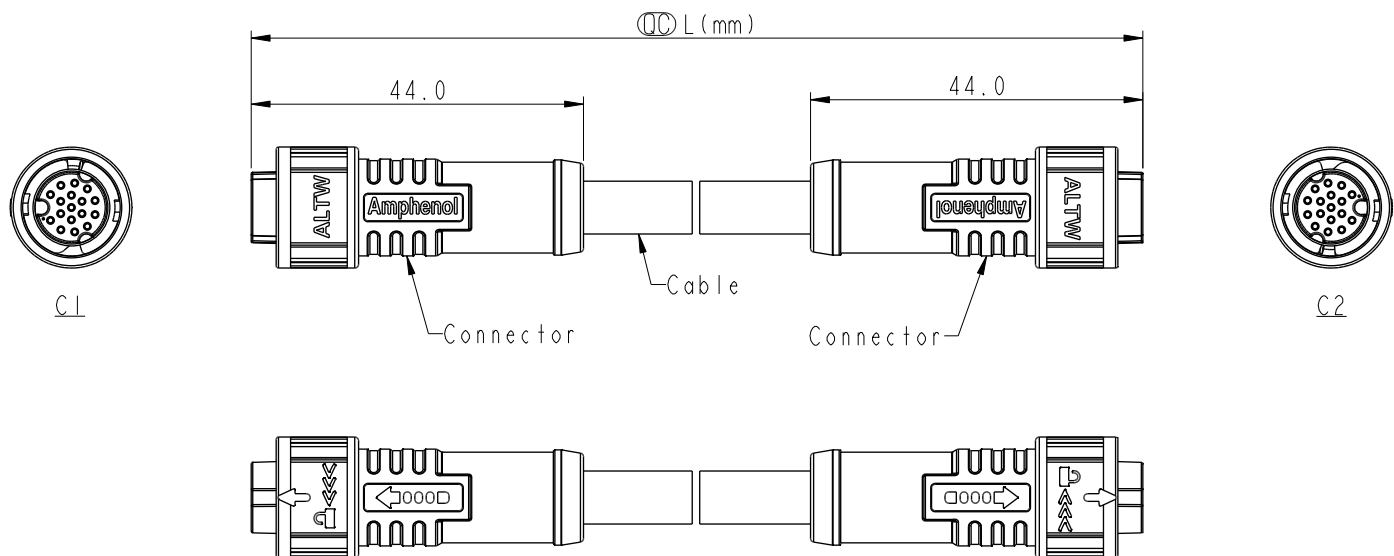


THIS DOCUMENT IS SUBJECT TO CHANGE WITHOUT NOTICE. IT IS CONFIDENTIAL AND A PROPERTY OF AMPHENOL LTW. DISCLOSURE TO THIRD PARTY HAS TO BE AUTHORIZED BY AMPHENOL LTW.

REV.	ECN NO.	DATE	SIGN	DESCRIPTION



- Note:
- * RoHS Compliant
 - * \varnothing Important dimension
 - * Waterproof rate: IPX8, mated 1m/24h
 - * Connector
 - Housing: Thermoplastic, Black
 - Pin: Copper alloy, Gold plated
 - O-Ring: Rubber, Gray
 - Nut: Thermoplastic, Black
 - Outer Mold: Thermoplastic, Black
 - * Cable: UL2517, PVC Jacket, Black
 - * Cable Length Tolerance:

0.5M < L ≤ 1M	: +60/-0 mm
1M < L ≤ 3M	: +120/-0 mm
3M < L ≤ 5M	: +160/-0 mm
5M < L ≤ 10M	: ±100 mm
10M < L ≤ 20M	: ±200 mm
20M < L ≤ 30M	: ±300 mm
30M < L ≤ 99M	: ±500 mm

UNIT: mm	\varnothing		TITLE ACC, XLOK, A-1.5A, DB-ENDED FF, PUSH LOCK
TOLERANCE ±0.5mm	SCALE 1:1	SIZE A4	SHEET 1 OF 2
REV. A	WC-REV. A.5	\varnothing : Inspection item	

Amphenol LTW
安費諾亮泰企業股份有限公司

ITEM NO.	DRAWN BY Vicky	DATE 2021-05-13
DWG NO. AB-AZXXFL-AZFL-QCXXX	CHECKED BY Ouyang	DATE 2021-05-13
CUSTOMER ALTW	APPROVED BY Rita	DATE 2021-05-13

THIS DOCUMENT IS SUBJECT TO CHANGE WITHOUT NOTICE. IT IS CONFIDENTIAL AND A PROPERTY OF AMPHENOL LTW. DISCLOSURE TO THIRD PARTY HAS TO BE AUTHORIZED BY AMPHENOL LTW.

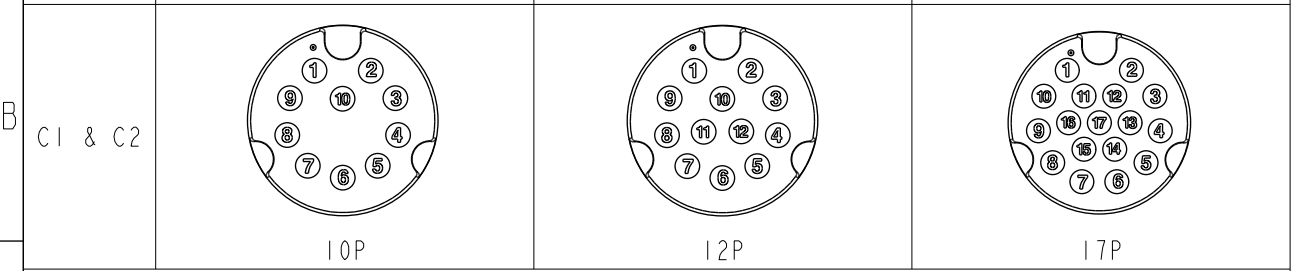
17P	7.0	26	AB-AZ17FL-AZFL-QCXXX
12P	6.0		AB-AZ12FL-AZFL-QCXXX
10P	6.0		AB-AZ10FL-AZFL-QCXXX
Contacts	Cable OD	AWG	Item No.

AB-AZXXFL-AZFL-QCXXX

XX: No. Of Pin

XXX: 0.5~99 Meters
 A05: 0.5 Meters
 001: 01 Meter
 002: 02 Meters
 :
 099: 99 Meters

Pin Out	10 Violet 紫 10	12 Red/Blue 紅/藍 12	17 White/Gray 白/灰 17
	9 Black 黑 9	11 Gray/Pink 灰/粉 11	16 Yellow/Brown 黃/棕 16
	8 Red 紅 8	10 Violet 紫 10	15 White/Yellow 白/黃 15
	7 Blue 藍 7	9 Black 黑 9	14 Brown/Green 棕/綠 14
	6 Pink 粉 6	8 Red 紅 8	13 White/Green 白/綠 13
	5 Gray 灰 5	7 Blue 藍 7	12 Red/Blue 紅/藍 12
	4 Yellow 黃 4	6 Pink 粉 6	11 Gray/Pink 灰/粉 11
	3 Green 綠 3	5 Gray 灰 5	10 Violet 紫 10
	2 Brown 棕 2	4 Yellow 黃 4	9 Red 紅 9
	1 White 白 1	3 Green 綠 3	8 Gray 灰 8
		2 Brown 棕 2	7 Black 黑 7
		1 White 白 1	6 Yellow 黃 6
			5 Pink 粉 5
			4 Green 綠 4
			3 White 白 3
			2 Blue 藍 2
			1 Brown 棕 1
Pin #	Wire	Pin #	Wire



Pin Assignments Front View

UNIT:mm		TITLE	ACC, XLOK, A-1.5A, DB-ENDED FF, PUSH LOCK
TOLERANCE	±0.5mm	SCALE	1:1
		SIZE	A4
		SHEET	2 OF 2
		REV.	A
		WC-REV.	A.5
		QC	Inspection item

Amphenol LTW
 安費諾亮泰企業股份有限公司

ITEM NO	DRAWN BY	DATE
	Vicky	2021-05-13
DWG NO	CHECKED BY	DATE
AB-AZXXFL-AZFL-QCXXX	Ouyang	2021-05-13
CUSTOMER	APPROVED BY	DATE
ALTW	Rita	2021-05-13