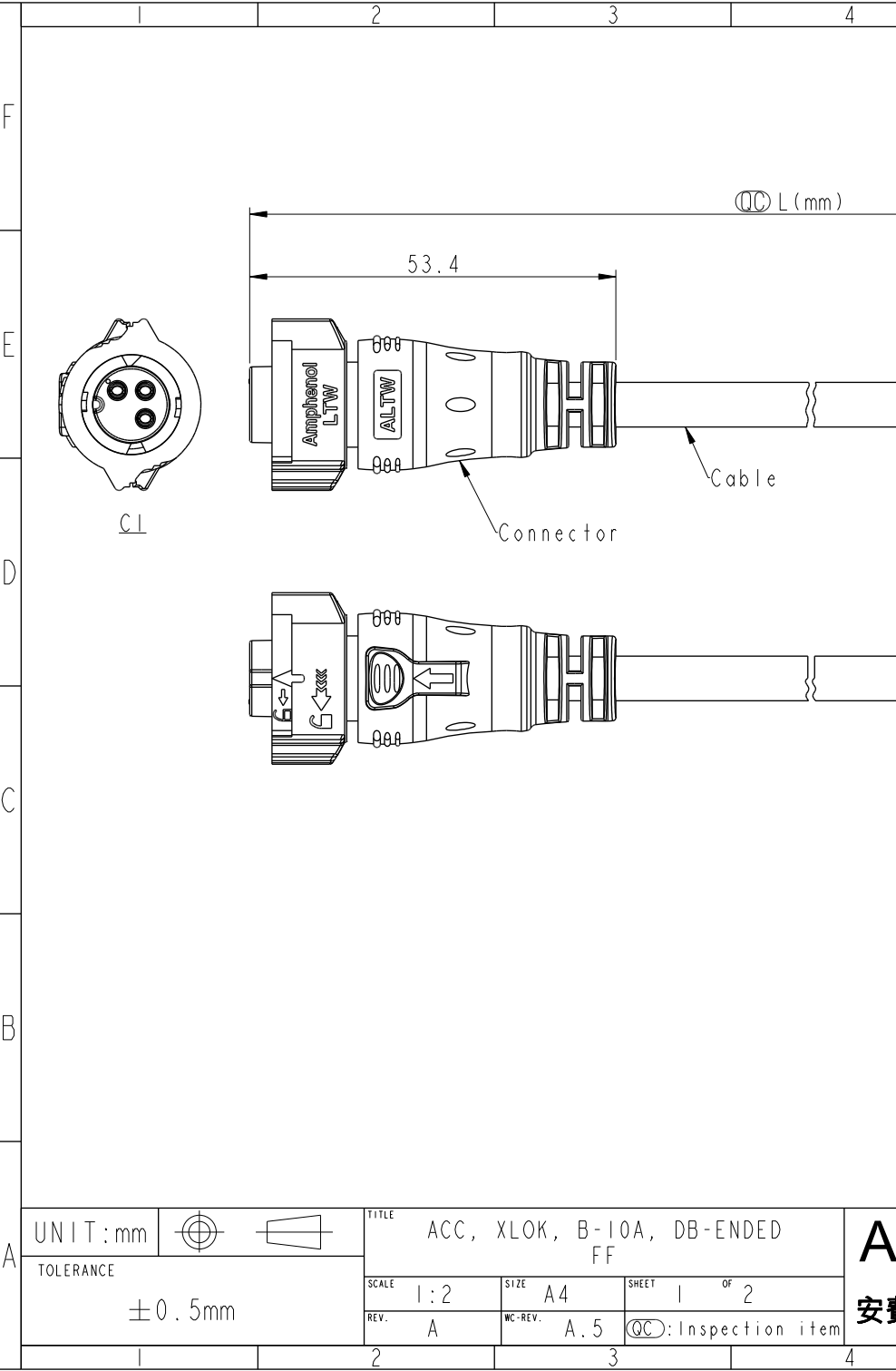


THIS DOCUMENT IS SUBJECT TO CHANGE WITHOUT NOTICE. IT IS CONFIDENTIAL AND A PROPERTY OF Amphenol LTW. DISCLOSURE TO THIRD PARTY HAS TO BE AUTHORIZED BY Amphenol LTW.

REV.	ECN NO.	DATE	SIGN	DESCRIPTION
A		2020/01/20	Vicky	Initial Released



- Note:
- * \varnothing Important Dimension
 - * Waterproof Rate: IP68, Mated
IP68: 1M depth of water in 24hours
 - * Connector: Thermoplastic, Black
 - * Pin: Copper Alloy, Gold Plated
 - * Cable: UL21388, PVC Jacket, Black
 - * Cable Length Tolerance: 0.5M: +60/-0mm
01M: +60/-0mm
02~03M: +120/-0mm
04~05M: +160/-0mm
06~10M: ±100mm
11~20M: ±200mm
21~30M: ±300mm
31~99M: ±500mm

UNIT:mm		TITLE	ACC, XLOK, B-10A, DB-ENDED FF		
TOLERANCE	±0.5mm	SCALE	1:2	SIZE	A4
		REV.	A	WC-REV.	A.5
				\varnothing	Inspection item
		SHEET	1	OF	2

Amphenol LTW
安費諾亮泰企業股份有限公司

ITEM NO	DRAWN BY	DATE
	Vicky	2020-01-20
DWG NO	CHECKED BY	DATE
AB-BBXXFL-BBBL-QDXXX	Rita	2020-01-20
CUSTOMER	APPROVED BY	DATE
ALTW	Max	2020-01-20

THIS DOCUMENT IS SUBJECT TO CHANGE WITHOUT NOTICE. IT IS CONFIDENTIAL AND A PROPERTY OF Amphenol LTW. DISCLOSURE TO THIRD PARTY HAS TO BE AUTHORIZED BY Amphenol LTW.

3P	PVC	6.5	16	AB-BB03FL-BBBL-QDXXX
2P		6.0		AB-BB02FL-BBBL-QDXXX
Contacts	Cable Jacket	Cable OD	AWG	Item No.

AB-BB XX FL-BBBL-QD XXX

02: 2Pin
03: 3Pin

XXX: 0.5~99Meters
A05: 0.5 Meter
001: 01 Meter
002: 02 Meters
:
099: 99 Meters

Pin Out	2 Red 1 Black	紅 黑	3 Red 2 Brown 1 Black	紅 棕 黑
	Pin #	Wire	Pin #	Wire
C2		2P		3P
C1		2P		3P

Pin Assignments Front View

UNIT:mm		TITLE	ACC, XLOK, B-10A, DB-ENDED FF	
TOLERANCE	±0.5mm	SCALE	1:2	SIZE A4
		REV.	A	WC-REV. A.5
			SHEET 2 OF 2	
			QC: Inspection item	

Amphenol LTW
安費諾亮泰企業股份有限公司

ITEM NO	DRAWN BY	DATE
DWG NO	CHECKED BY	DATE
CUSTOMER	APPROVED BY	DATE
ALTW	Vicky Rita Max	2020-01-20 2020-01-20 2020-01-20