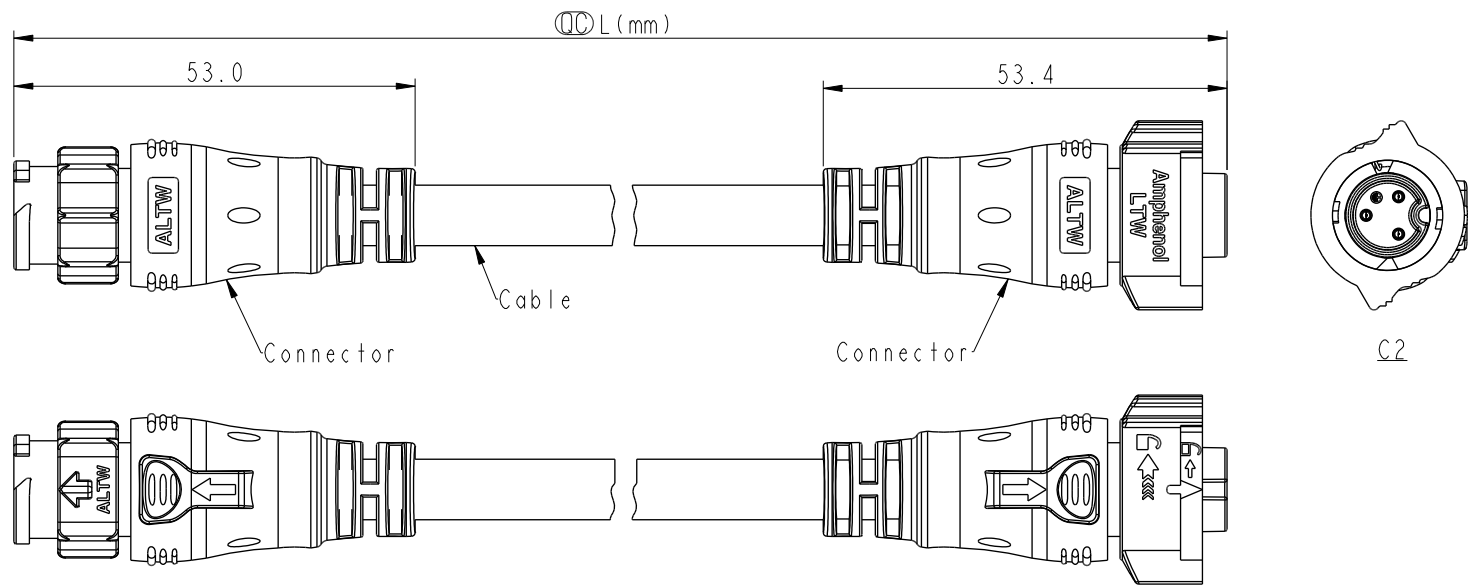


THIS DOCUMENT IS SUBJECT TO CHANGE WITHOUT NOTICE. IT IS CONFIDENTIAL AND A PROPERTY OF Amphenol LTW. DISCLOSURE TO THIRD PARTY HAS TO BE AUTHORIZED BY Amphenol LTW.

| | | | | |
|------|---------|------------|-------|------------------|
| REV. | ECN NO. | DATE | SIGN | DESCRIPTION |
| A | | 2020/01/20 | Vicky | Initial Released |
| | | | | |



| | | | |
|---------|-------------|-------------------------|-------------|
| Pin Out | 3 2 1 | White Green Black | 白 綠 黑 |
| | Pin # | Wire | |
| C2 | | 3P | |
| C1 | | 3P | |

Pin Assignments Front View

AB-BD XX ML-BDBL-QE XXX

03: 3Pin

XXX: 0.5~99Meters
 A05: 0.5 Meter
 001: 01 Meter
 002: 02 Meters
 :
 099: 99 Meters

- Note:
- * \varnothing Important Dimension
 - * Waterproof Rate: IP68, Mated
IP68: 1M depth of water in 24hours
 - * Connector: Thermoplastic, Black
 - * Pin: Copper Alloy, Gold Plated
 - * Cable: SJTW, 18#*3C, PVC Jacket, Black, OD8.0mm
 - * Cable Length Tolerance: 0.5M: +60/-0mm
 01M: +60/-0mm
 02~03M: +120/-0mm
 04~05M: +160/-0mm
 06~10M: ±100mm
 11~20M: ±200mm
 21~30M: ±300mm
 31~99M: ±500mm

| | | | | | | | | |
|-----------|--------|-------|---------------------------------|--------------|---------------------------------|----------------------|-------------|------------|
| UNIT:mm | | TITLE | ACC, XLOK, B-5A, DB-ENDED MF | Amphenol LTW | | ITEM NO | DRAWN BY | DATE |
| TOLERANCE | ±0.5mm | SCALE | 1:2 | SIZE | A4 | DWG NO | CHECKED BY | DATE |
| | | REV. | A | WC-REV. | A.5 | AB-BDXXML-BDBL-QEXXX | Rita | 2020-01-20 |
| | | | | | \varnothing : Inspection item | CUSTOMER | APPROVED BY | DATE |
| | | | | | | ALTW | Max | 2020-01-20 |

Amphenol LTW
安費諾亮泰企業股份有限公司